

Installation Instructions | Installationsanleitung | Manuel d'installation |
Instrucciones de instalación | 安装使用说明

Ambr[®] CF Adapter Kit

For Using Various Filters in the Ambr[®] Crossflow UF|DF Module

Für die Verwendung von verschiedenen Filtern im Ambr[®] Crossflow UF-|DF-Modul

Pour l'utilisation de divers filtres dans le module Ambr[®] Crossflow UF|DF

Para usar varios filtros en el módulo UF|AF del sistema de Ambr[®] Crossflow

适用于在 Ambr[®] Crossflow UF|DF 模块中使用各种过滤器



1000134501



SARTORIUS

English	page	3
Deutsch	Seite	25
Français	page	47
Español	página	69
中文	页码	92

Contents

1	About this Document	4	6	Clean-in-Place	18
1.1	Validity	4	7	Storage	20
1.2	Related Documents	4	8	Disposal	21
1.3	Target Groups	4	8.1	Information on Decontamination	21
1.4	Symbols Used	5	8.2	Disposing of the Product	21
1.4.1	Warnings in Operation Descriptions	5	8.2.1	Information on Disposal	21
1.4.2	Other Symbols	5	8.2.2	Disposal	21
2	Safety Instructions	5	9	Technical Data	22
2.1	Intended Use	5	9.1	Dimensions and Weight	22
2.2	Qualifications of Personnel	6	9.2	Ambient Conditions at the Installation Site	22
2.3	Safety Equipment	6	9.3	Approved Sartorius Filters	23
2.4	Consumables	7	9.4	Other Approved Filters	24
2.5	Magnetic Forces	7	10	Sartorius Service	24
2.6	Personal Protective Equipment	7	11	Trademark Information	24
2.7	Leakage of Filters	7			
2.8	Potential Compromise of Gas Tightness	7			
3	Product Overview	8			
3.1	Tube Set	9			
3.2	Tube Length for Filters	10			
3.3	Connections to the Ambr [®] Crossflow Module	10			
3.4	The Filtration Process	10			
3.5	Safety Equipment	11			
4	Scope of Delivery	11			
5	Operation	12			
5.1	Inserting the Adapter	12			
5.2	Flat Sheet Filter: Connecting the Tube Set to the Filter and the Tube Interface Block	14			
5.3	Hollow Fiber Filter: Connecting the Tube Set to the Filter and the Tube Interface Block	15			
5.4	Removing the Filter for Clean-in-Place	17			

1 About this Document

1.1 Validity

These instructions are part of the product; they must be read in full and stored. These instructions apply to the following version of the product:

Product

Ambr[®] CF Adapter Kit

1.2 Related Documents

- ▶ In addition to these instructions, please observe the following documents:
 - Instructions for control unit and associated products, e.g. barcode scanner
 - Instructions of the Ambr[®] Crossflow UF | DF Module
 - Instructions of the Ambr[®] Crossflow software
 - Instructions of the filters used:
 - Sartocor[®] Slice 50
 - Hollow Fiber TFF Modules | Steamer Line
 - Hollow Fiber TFF Modules | Re-use Line
 - Hollow Fiber TFF Modules | Single-Use Line
 - etc.

1.3 Target Groups

These instructions are addressed to the following target groups. The target groups must possess the knowledge specified below.

Target group	Knowledge and Qualifications
Operator	The operator is familiar with the product and the associated work processes. The operator understands the hazards which may arise when working with the product, and knows how to prevent them.

1.4 Symbols Used

1.4.1 Warnings in Operation Descriptions

WARNING

Denotes a hazard with risk that death or severe injury may result if it is not avoided.

NOTICE

Denotes a hazard that may result in property damage if it is not avoided.

1.4.2 Other Symbols

- ▶ Required action: Describes activities that must be carried out. The activities in the sequence must be carried out in succession.
- ▷ Result: Describes the result of the activities carried out.

2 Safety Instructions

2.1 Intended Use

The Ambr[®] CF Adapter Kit is designed for use in the Ambr[®] Crossflow UF | DF Module. The product is suitable for the crossflow filtrations “ultrafiltration” (UF) and “diafiltration” (DF). The product is an optional accessory that allows the use of other filters instead of the standard Ambr[®] CF filter.

For the control of the filtration processes, only the control unit and the Ambr[®] Crossflow software, release 19 or subsequent, may be used. The filtration processes can be automated using the Ambr[®] Crossflow software.

If processes used differ from the predefined processes in the Ambr[®] Crossflow software, e.g., when operating a feed pump in reverse operation: A specific risk assessment must be carried out for the filtration processes in order to exclude hazards from the differing processes.

Only supported filters may be used in the product (see chapter “9.3 Approved Sartorius Filters”, page 23 | chapter “9.4 Other Approved Filters”, page 24). The filters in the adapter are designed for single-use and must be disposed of after use, with the exception of the Hollow Fiber TFF Modules | Re-use Line. The product itself can be cleaned in place and reused. However, the software does not include functionality for cleaning the filter post-use. Operators wanting to reuse a filter must create their own cleaning protocol and conduct required risk assessments.

Although filters from different vendors can be accommodated by the adapter design, Sartorius makes no commitment to Ambr® Crossflow operational performance, longevity and accuracy when used with competitors' filters. Sartorius recommends using Sartorius filters for maximum compatibility and safety.

The product is exclusively designed for use according to these instructions. Any further use beyond this is considered improper.

If the product is not used properly, the protective systems of the product may be impaired. This can lead to unforeseeable personal injury or property damage.

Operating Conditions for the Product

Do not use the product in potentially explosive environments. The product may only be used indoors.

The product may only be used with the equipment and under the operating conditions described in the Technical Data of these instructions.

Modifications to the Product

If the product is modified, persons may be put at risk. Product-specific documents and product approvals may lose their validity.

Contact Sartorius if you have any questions concerning modifications.

2.2 Qualifications of Personnel

Persons who do not possess adequate knowledge about how to use the product may injure themselves and other persons.

If a particular qualification is required for an activity, the target group will be specified. If no qualification is specified, the activity may be carried out by the "operator" target group.

2.3 Safety Equipment

The safety equipment on the product protects persons working at the product against the hazards and harms associated with it. If the product's safety equipment is detached or modified, people may be seriously injured.

- ▶ Do not dismantle, modify, or disable the safety equipment (for safety equipment see chapter 3.5, page 11).

2.4 Consumables

The use of unsuitable consumables can affect the functionality and safety of the product and have the following consequences:

- Risk of injury to persons
 - Damage to the product
 - Malfunctions of the product
 - Failure of the product
- ▶ Only use consumables and spare parts that have been approved by Sartorius for this product.

2.5 Magnetic Forces

The magnets for the tube interface block are attached to the holder of the product. Magnets can interfere with pacemakers or other medical implants. People with pacemakers or other medical implants can be affected.

- ▶ Persons with pacemakers or other medical implants must maintain a safety distance of at least 0.1 m from the product.
- ▶ Identify the danger of magnetic forces at the installation site.

2.6 Personal Protective Equipment

Personal protective equipment protects against risks arising from the product. If the personal protective equipment is missing or is unsuitable for the work processes on the product, persons may be injured.

The following personal protective equipment must be worn:

- Safety glasses
- Safety gloves
- Safety clothing

2.7 Leakage of Filters

Undoing the compression fittings on the product may result in a leak which could lead to injuries such as minor chemical contact injuries or injuries from slips or falls resulting from a wet or slippery surface.

- ▶ Do not undo the compression fittings at any time.

2.8 Potential Compromise of Gas Tightness

Deleting or modifying standard gas tightness and filter gas tightness phases from the Ambr[®] Crossflow software may compromise system safety and result in leaks.

- ▶ Do not delete or modify these phases in the standard recipe template.
- ▶ Operators making these modifications do so at their own risk.

3 Product Overview

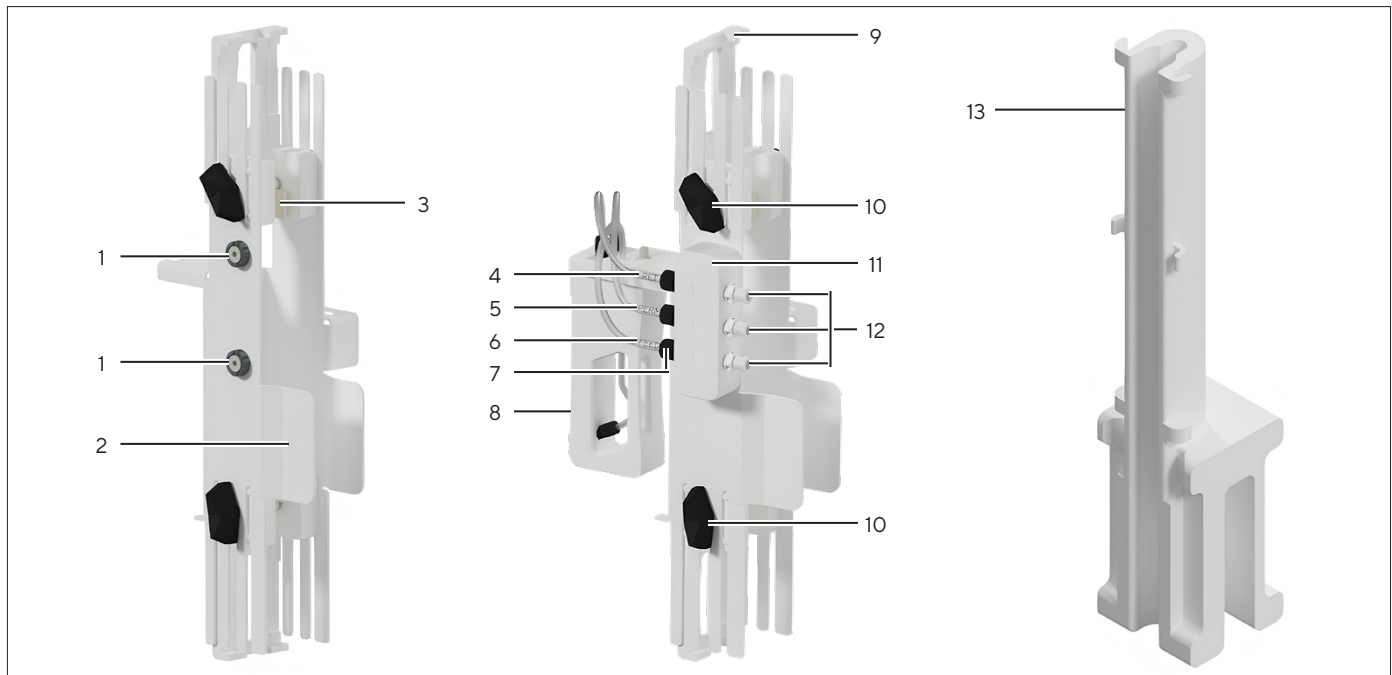


Fig. 1: Adapter without filter

Pos.	Designation	Description
1	Magnets	Allow the tube interface block to be clipped onto the side of the holder.
2	Holder	Hooks onto the adapter and holds the filter in place during the filtration process.
3	Tube clips	Attached to filter clamps, allow the hollow fiber filters to be clipped into place when the filter clamps are vertically orientated.
4	Retentate tubing	Connects the retentate port on the adapter to the retentate port on the tube interface block.
5	Permeate tubing	Connects the permeate port on the adapter to the permeate port on the tube interface block.
6	Feed tubing	Connects the feed port on the adapter to the feed port on the tube interface block.
7	Compression fittings	One at the end of each length of tube, grips around the tubing and screws into the corresponding port on either the adapter or the tube interface block.
8	Adapter	Loads in place of the standard Ambr® CF filter to interface with the Ambr® Crossflow module.
9	Filter clamps	Secure the filter in the holder using thumb screws. The clamps offer 2 orientations (horizontal or vertical) based on the filter type. Tube clips are attached to the filter clamps to clip the hollow fiber filters in place.
10	Thumb screw	Secures the filter clamps in position in the holder.
11	Tube interface block	Attaches to the holder side with magnets and connects tubing from the adapter to the filter tubing.
12	Luer connectors	Connect filter tubing to the corresponding port on the tube interface block.
13	Filter guide	Supports the longer hollow fiber filters and allows the tubing to be clipped on the side.

3.1 Tube Set

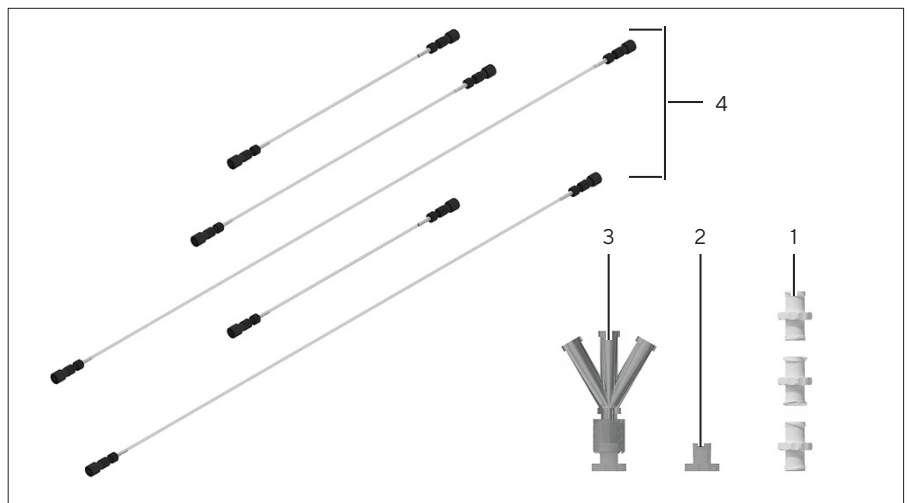


Fig.2: Adapter tube set

Pos.	Designation	Description
1	Female to Female Luer Lock connector	Used to connect the tube set to the ports on the filters for some filters.
2	Female Luer threaded cap	Used to block the unused permeate port on some filters.
3	CIP fitting	4-way Luer fitting used for Clean-In-Place (CIP) after the filtration process. Supplied with a Female Luer threaded cap to block the 4 th port.
4	Tube set	<p>Enables connection of the filter to the tube interface block and consists of 5 different lengths of tubing to accommodate various filter sizes:</p> <ul style="list-style-type: none"> – 1 x feed tube (common to all filters) – 2 x retentate tubes (one short and one long) – 2 x permeate tubes (one short and one long) <p>Details on which tube to use with each filter are provided in chapter “3.2 Tube Length for Filters”, page 10.</p> <p>Each tube is labeled “FEED”, “RET” or “PERM” to identify the corresponding port. Each end of each tube is equipped with compression and Luer fittings for connection to the tube interface block and the filter.</p>

3.2 Tube Length for Filters

	Feed	Retentate	Permeate
Sartocon® Slice 50	Common	Short	Short
Cytiva Minimate™		Short	Short
Merck Millipore Pellicon® XL 50		Short	Short
Hollow Fiber TFF Modules Single-use Line Discover™ 12"		Short	Short
Repligen MicroKros 20 cm		Short	Short
Cytiva MidGee™		Short	Short
Repligen MicroKros 41.5 cm 65 cm		Long	Long
Hollow Fiber TFF Modules Single-use Line Discover™ 24"		Long	Long

3.3 Connections to the Ambr® Crossflow Module

The adapter connects to the Ambr® Crossflow module in the same way as the standard filter, utilizing 3 ports for feed, permeate, and retentate. Tubing included with the product connects these ports to their counterparts on the tube interface block. The provided tube set facilitates the connection of the filter's 3 ports to the corresponding ports on the tube interface block.

The filter holder securely attaches the filter to the adapter using the included tube set. 1 of the 2 permeate ports on the filter remains unused and must be sealed with a Luer cap. Most filters come with Luer caps on all ports, and a spare Luer cap is included for those without one. It must be ensured that the Luer cap is tight on the unused permeate port or the filter may fail its filter gas tightness test and the subsequent filtration process.

3.4 The Filtration Process

The filtration process is unchanged when using the product with the Ambr® Crossflow module, whether it is ultrafiltration or diafiltration. Instead of going straight into the standard filter, the fluid flows from the adapter feed port into the corresponding port on the tube interface block and then onto the filter. Then, the fluid flows out from the filter via the retentate and | or permeate ports, back into the tube interface block's corresponding ports and eventually into the adapter and the Ambr® Crossflow module.

3.5 Safety Equipment

The tubings, compression fittings and Luer fittings supplied with the product were designed and tested to withstand high pressures so that the system is intrinsically safe in case of a blockage. They are **not** to be altered or tampered with in any way.

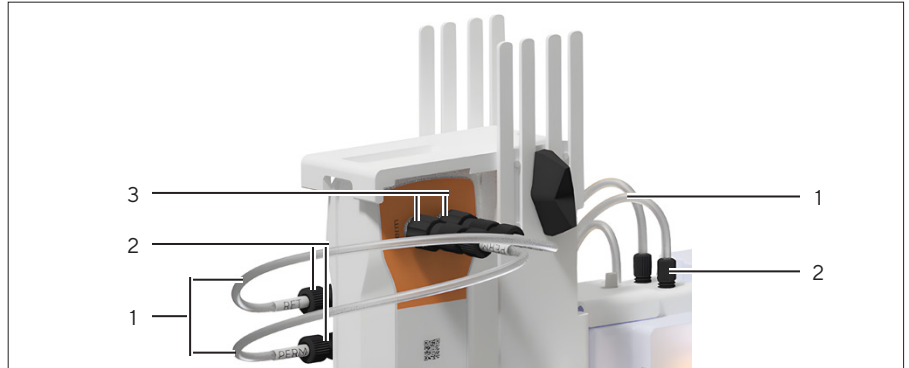


Fig.3: Adapter and filter holder

No.	Designation
1	Tubings
2	Compression fittings
3	Luer fittings

4 Scope of Delivery

Item	Quantity
Ambr® CF Adapter Kit, consisting of	1
Adapter	4
Filter holder	4
Filter clamps (fitted with tube clips and thumb screws)	8
Filter guides	4
Tube sets (each consisting of 1 x feed tube, 2 x retentate and 2 x permeate tubes)	4
CIP fittings (each fitted with a Female Luer threaded cap)	4
Spare Female Luer threaded caps	4
Female to Female Luer Lock connectors	12
Installation Instructions	1

5 Operation

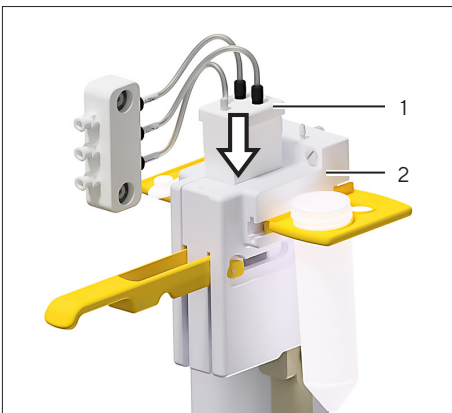
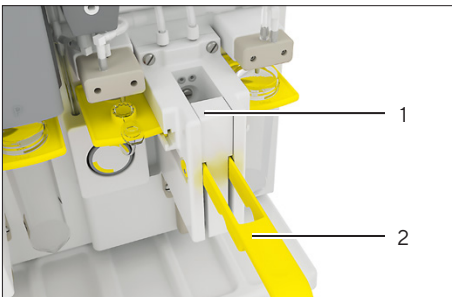
5.1 Inserting the Adapter

Requirements

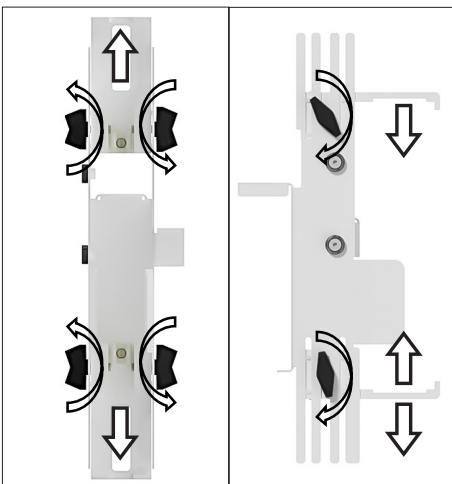
The operator is prompted to use 1 or more adapters on the screen of the control unit.

Procedure

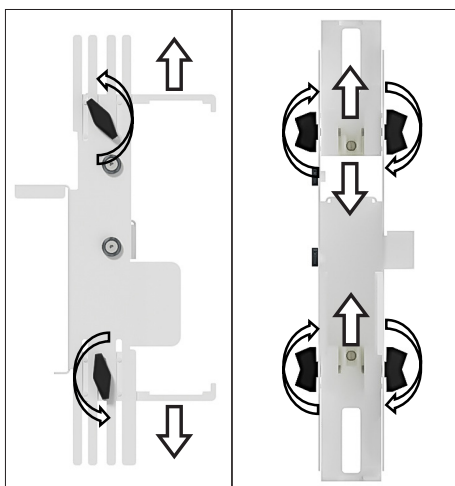
- ▶ **NOTICE** The product can malfunction due to the use of unsuitable filters! Ensure that the filters are suitable for the product (for suitability, see chapter “9.3 Approved Sartorius Filters”, page 23 | chapter “9.4 Other Approved Filters”, page 24).
- ▶ Loosen the filter holder clamp by lifting the handle (2) and pull the pressure plate (1) forward.



- ▶ Lower only the adapter (1) with the tubing interface block attached from above into the filter holder (2).
- ▶ The holes in the filter holder must be facing towards the Ambr[®] Crossflow module. The letters engraved on top of the adapter should be the right way up when looking from above.



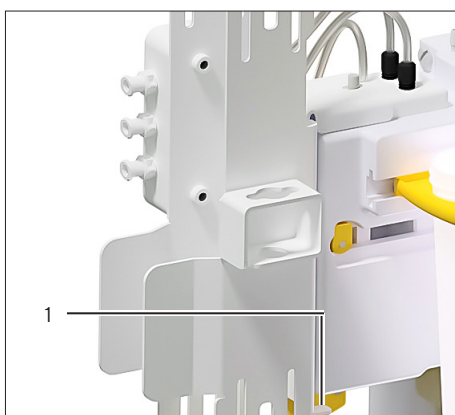
- ▶ By default, and for shipping purposes, the filter clamps on the holder are set up in the vertical orientation for hollow fiber filters.
- ▶ To use flat sheet filters, unscrew the thumb screws on each side of the filter clamps at the top and bottom of the holder, to slide the filter clamps out of the holder.
- ▶ Turn the filter clamps 90° and reinsert them back in the holder.
- ▶ Tighten the thumb screws to secure them in place.
- ▶ Ensure the top clamp is at the bottom of its slot.
- ▶ The position of the bottom clamp is adjusted depending on the filter used.



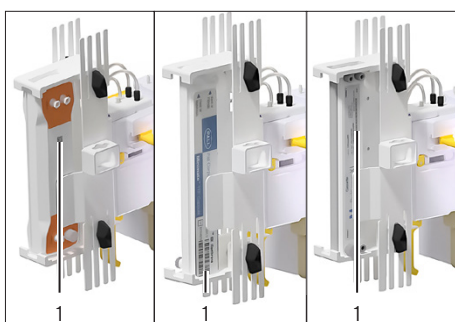
- ▶ If the filter clamps are horizontally positioned (for flat sheet filters), and you switch to hollow fiber filters, unscrew the thumb screws on each side of the filter clamps at the top and bottom of the holder.
- ▶ Turn the filter clamps 90° and reinsert them back in the holder before tightening the thumb screws to secure them in place.
- ▶ Ensure the bottom clamp is at the top of its slot.
- ▶ The position of the top clamp is adjusted depending on which filter is fitted.



- ▶ Once the filter clamps are placed in the desired orientation on the holder, hook the holder onto the adapter.



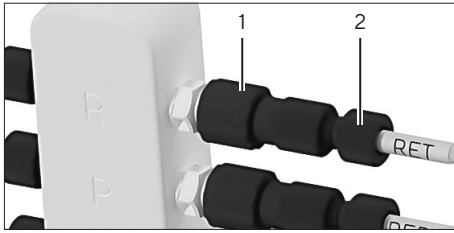
- ▶ Optional: Tilt the holder slightly to ensure the 2 prongs (1) at the bottom fit either side of the handle of the filter holder.



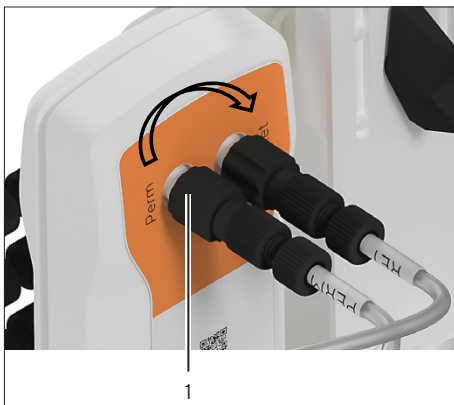
- ▶ When using a flat sheet filter, place the filter in the holder.
- ▶ Adjust the lower clamp as needed.
- ▶ Ensure the barcode (1) is on the opposite side of the tube interface block for future scanning.

5.2 Flat Sheet Filter: Connecting the Tube Set to the Filter and the Tube Interface Block

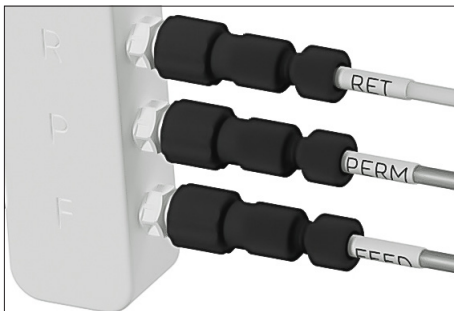
Procedure



- ▶ **NOTICE** Leaks due to loose compression fittings!
 - ▶ When connecting | disconnecting tubing on the product, make sure to only handle the Luer Lock ring part (1) of the connector.
 - ▶ Do not twist the threaded compression fittings (2).
 - ▶ If the threaded compression fitting gets accidentally undone, screw it back on by hand and tighten as much as possible.

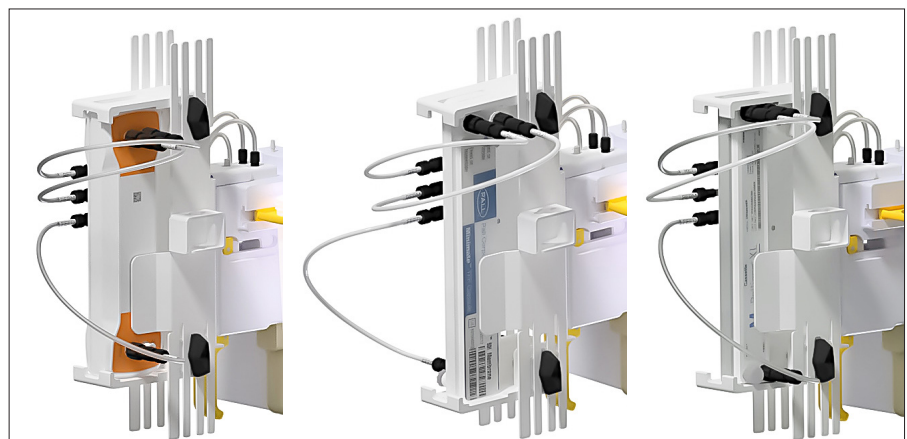


- ▶ Engage the Luer fittings into the corresponding ports of the filter and | or the tube interface block:
 - ▶ Screw in the Luer Lock rings (1) on the Luer fittings.
 - ▶ Ensure the Luer fittings are engaged in the corresponding ports on the filter and | or the tube interface block, and tighten the Luer Lock rings.



- ▶ The tubes are labeled "RET", "PERM" and "FEED". Ensure to connect the correct tube to the correct port on the filter and on the tube interface block.
- ▶ For some filters: Use the Female Luer to Luer Lock connectors if required.
- ▶ Blank off the unused permeate port on the filter (at the bottom).

- ▶ For some filters, it might be easier to first connect one end of the tube set to the filter (on the bench).
 - ▶ Then, place the filter in the holder before connecting the other end of the tube set to the tube interface block.
- ▶ Clip the tube interface block onto the side of the holder using the magnets provided.
- ▶ The inserted adapter should look like this:

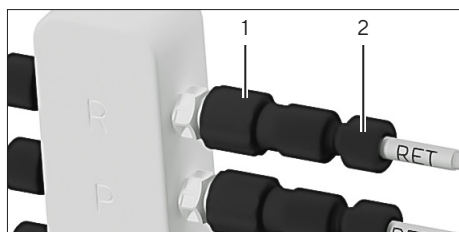


- ▶ Follow the prompts on the screen of the control unit. For those filters where it is not possible to scan the barcode on either the filter itself or the packaging, manual entry is provided in the Ambr® Crossflow software.

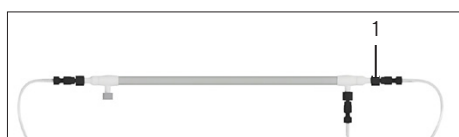
5.3 Hollow Fiber Filter: Connecting the Tube Set to the Filter and the Tube Interface Block

When using a hollow fiber filter, it is recommended to connect the tube set to the filter on the bench prior to fitting the filter in the holder for easier handling.

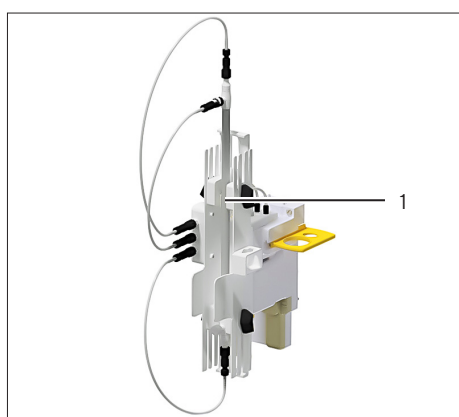
Procedure



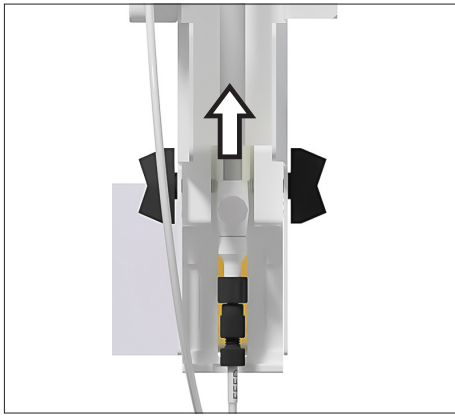
- ▶ **NOTICE** Leaks due to loose compression fittings!
 - ▶ When connecting | disconnecting tubing on the product, make sure to only handle the Luer Lock ring part (1) of the connector.
 - ▶ Do not twist the threaded compression fittings (2).
 - ▶ If the threaded compression fitting gets accidentally undone, screw it back on by hand and tighten as much as possible.



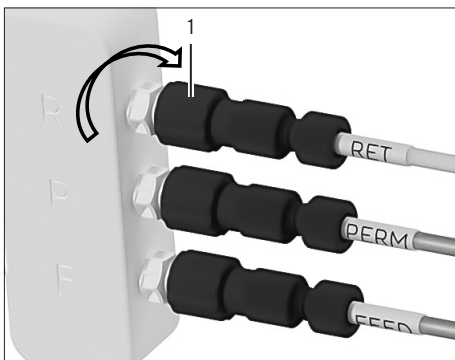
- ▶ Use the correct length of retentate and permeate tubing for the chosen filter (see chapter "3.2 Tube Length for Filters", page 10).
- ▶ Engage the Luer fittings (1) into the corresponding ports of the filter.
- ▶ Screw in the Luer lock rings on the Luer fittings.
- ▶ Ensure the Luer fittings are engaged in the corresponding ports on the filter, and tighten the Luer Lock rings.



- ▶ The tubes are labeled "FEED", "RET" and "PERM". Ensure to connect the correct tube to the correct port on the filter.
- ▶ For some filters: Use Female Luer to Luer Lock connectors if required.
- ▶ Blank off the unused permeate port on the filter (at the bottom, in particular the caps supplied with the Cytiva filter are not suitable, and use the provided Female Luer threaded cap).
- ▶ Clip the hollow fiber filter in the tube clips (1) provided on the 2 filter clamps.
- ▶ Ensure that the hollow fiber is pushed up as high as possible in the holder to leave enough room for the feed tube at the bottom.



- ▶ Adjust the height of the top filter clamp in the slot to suit the hollow fiber filter.
- ▷ The clips on the filter clamps can accommodate the “large” diameter Hollow Fiber TFF Modules as well as the other “small” diameter hollow fiber filters.



- ▶ Connect the tubing from the hollow fiber filter to its corresponding port on the tube interface block.
- ▶ Engage the Luer fittings into the corresponding ports of the filter and | or the tube interface block:
 - ▶ Screw in the Luer Lock rings (1) on the Luer fittings.
 - ▶ Ensure the Luer fittings are engaged in the corresponding ports on the tube interface block, and tighten the Luer Lock rings.
 - ▶ The tubes are labeled “RET”, “PERM” and “FEED”. Ensure to connect the correct tube to the correct port on the tube interface block.

- ▶ Clip the tube interface block onto the side of the holder using the magnets provided.
- ▶ If using a hollow fiber filter with long retentate and permeate tubing (see chapter “3.2 Tube Length for Filters”, page 10), fit the filter guide on top of the top filter clamp and thread the retentate and permeate tubing on the sides of the filter guide.

▷ The inserted adapter should look like this:



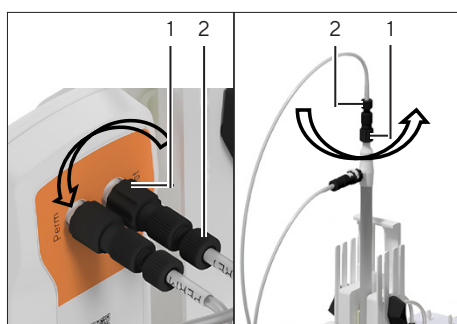
- ▶ Follow the prompts on the screen of the control unit. For those filters where it is not possible to scan the barcode on either the filter itself or the packaging, manual entry is provided in the Ambr® Crossflow software.

5.4 Removing the Filter for Clean-in-Place

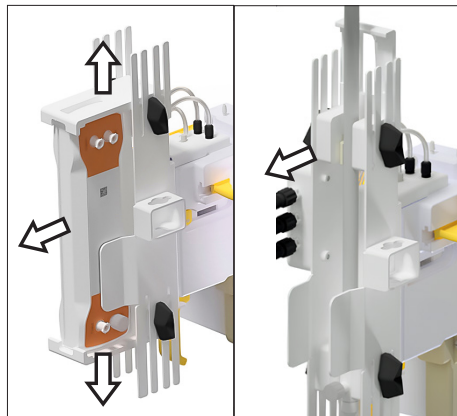
Requirements

The operator is prompted to remove 1 or more filters from the Ambr® Crossflow UF | DF Module on the screen of the control unit. This should be done before running the clean-in-place (CIP) with the CIP fitting provided.

Procedure



- ▶ **NOTICE** Leaks due to loose compression fittings!
 - ▶ When connecting | disconnecting tubing on the product, make sure to only handle the Luer Lock ring part (1) of the connector.
 - ▶ Do not twist the threaded compression fittings (2).
 - ▶ If the threaded compression fitting gets accidentally undone, screw it back on by hand and tighten as much as possible.
- ▶ Unscrew the Luer Lock rings (1) on the Luer fittings.
 - ▶ To disengage, twist and pull the Luer tapers from the filter, ensuring a secure hold on the Luer fitting.
- ▶ Do not disconnect the tubing from the tube interface block.



- ▶ Once all 3 fittings are disengaged, unclip the hollow fiber filter from the tube clips or if using a flat sheet filter, undo the thumb screws enough to release the filter clamps and remove the filter.

- ▶ Remove the filter and discard appropriately.

6 Clean-in-Place

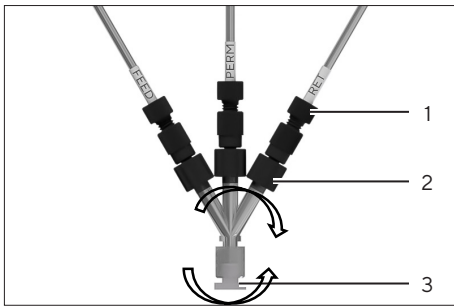
After a filtration process with the adapter, a CIP (clean-in-place) must be performed to clean the liquid lines from any residual liquid left from the filtration process. The CIP fitting is delivered with adapter.

Requirements

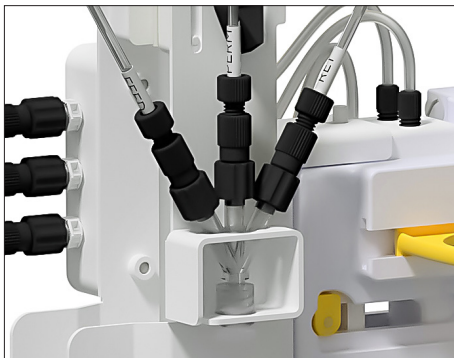
- The filter has been removed and discarded (see chapter 5.4, page 17).
- The operator is prompted to load the CIP fitting onto the Ambr® Cross-flow UF | DF Module on the screen of the control unit.

Procedure

- ▶ Connect the tubing from the tube interface block to the CIP fitting provided. To do so:

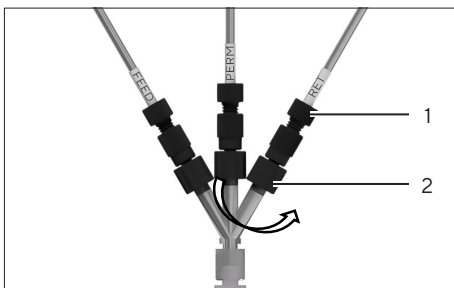


- ▶ Engage the Luer fittings into the Female Luer ports of the CIP fitting (unlike with the filter, the order in which the 3 tubings are connected is not important). Screw in the Luer Lock rings (2) on the Luer fittings into the CIP fitting.
- ▶ Ensure to hold on to the Luer Lock rings (2) tightly and not the compression fittings (1).
- ▶ Ensure the Luer fittings are engaged in the corresponding ports, and tighten the Luer Lock rings.
- ▶ Tighten the Female Luer cap (3) securely on the fitting.

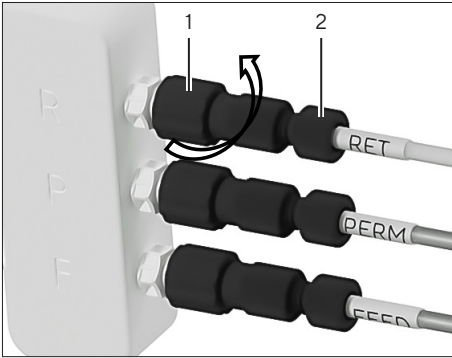


- ▶ Place the CIP fitting on the side of the adapter in the slot provided.

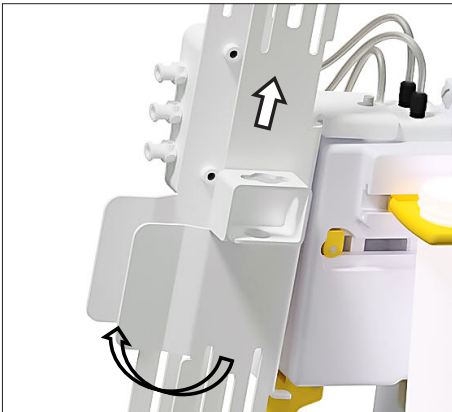
- ▶ Follow the prompts on the screen of the control unit to carry out the clean-in-place protocol.



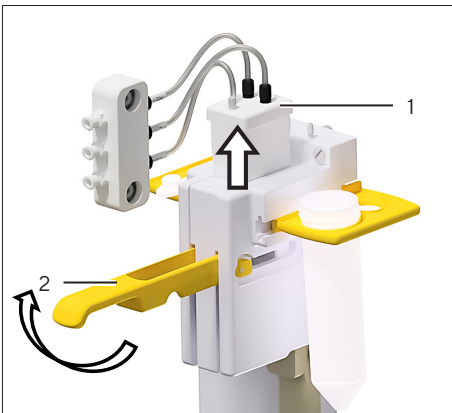
- ▶ When the CIP protocol is complete:
 - ▶ Unscrew the Luer Lock rings on the Luer fittings (2) on the CIP fitting and twist and pull on the fittings to disengage them from the CIP fitting. Make sure to hold on to the Luer fittings and not the compression fittings (1).
 - ▶ Once all 3 Luer fittings are disengaged, remove CIP fitting for future use.
 - ▶ If using a filter guide, detach the retentate and permeate tubing from the side of the filter guide.



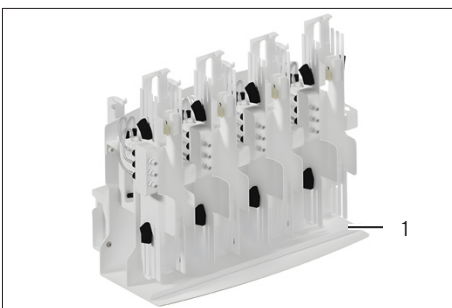
- ▶ Unscrew the Luer Lock rings on the Luer fittings (1) on the tube interface block and twist and pull on the fittings to disengage the fittings from the tube interface block.
- ▶ Make sure to hold on to the Luer fittings when doing so and not the compression fittings (2).



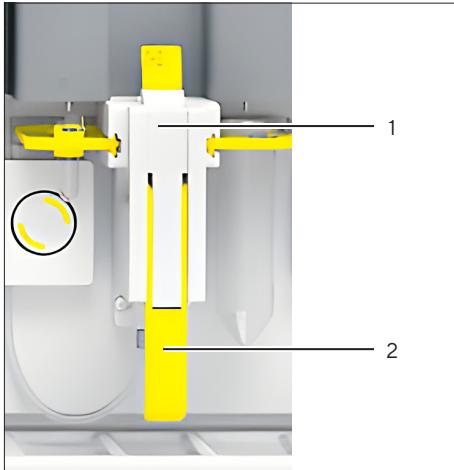
- ▶ Once all 3 Luer fittings are disengaged, remove the tubeset and store for the next use.
- ▶ If using a filter guide, remove it from the top filter clamp.
- ▶ Detach the tube interface block from the holder and unhook the holder from the adapter.
- ▶ Optional: Tilt the holder slightly to ensure the 2 prongs at the bottom clear either side of the handle of the filter holder.



- ▶ Pull the handle (2) forward.
- ▶ Remove the adapter (1) from the Ambr® Crossflow filter holder.



- ▶ Store the adapter, holder and filter guide in the stand (1) provided in between filtration processes.



- ▶ Push the pressure plate (1) all the way backwards. This closes the filter holder.
- ▶ Push the handle (2) into the initial position. The clamp is self-closing and requires only a small amount of force to close.
- ▶ Follow the prompts on the screen of the control unit.

7 Storage

Requirements

The filter has been removed and a clean-in-place has been performed (see chapter 6, page 18).

Procedure

- ▶ Disconnect and store the Female Luer threaded cap, Female Luer to Luer lock connectors, CIP fitting and tubeset.
- ▶ Ensure any remaining liquid in the tubing and fitting is properly drained.
- ▶ Store the adapter, holder and filter guide according to the ambient conditions (see chapter “9.2 Ambient Conditions at the Installation Site”, page 22).

8 Disposal

8.1 Information on Decontamination

The product does not contain any hazardous materials that would necessitate special disposal measures.

The cultures and fluids (e.g. acids, bases) used during the processes are potentially hazardous materials that could cause biological or chemical hazards.

If the product has come into contact with hazardous substances, measures must be carried out to properly decontaminate and declare such products. The operator is responsible for adhering to local legislation on the proper declaration of transportation and disposal and the proper disposal of the product.

WARNING

Risk of injury due to contaminated equipment!

Products contaminated with hazardous materials (NBC contamination) will **not** be accepted by Sartorius for repair or disposal.

8.2 Disposing of the Product

8.2.1 Information on Disposal

The product and accessories must be disposed of properly by disposal facilities.

The consumables are designed and intended for single-use (with the exception of the Hollow Fiber TFF Modules | Re-use Line).

8.2.2 Disposal

Requirements

The product has been decontaminated.

Procedure

- ▶ Dispose of the product. Follow the disposal instructions on our website (www.sartorius.com).
- ▶ Dispose of the packaging in accordance with local government regulations.
- ▶ Dispose of the consumables in accordance with local government regulations.

9 Technical Data

9.1 Dimensions and Weight

	Unit	Value
Dimensions (width x depth x height), single adapter with flat sheet filter	mm	76 x 149 x 261
Dimensions (width x depth x height), single adapter with short hollow fiber filter	mm	76 x 127 x 307
Dimensions (width x depth x height), single adapter with long hollow fiber filter	mm	76 x 127 x 452
Dimensions (width x depth x height), stand with adapters	mm	342 x 182 x 301
Weight, total (4 adapters incl. packaging)	kg	5.5

9.2 Ambient Conditions at the Installation Site

	Unit	Value
Conventional laboratory rooms, max. 2000 m above sea level		
Temperature		
Temperature during operation	°C	+6 – +40
Temperature fluctuations when carrying out filtration processes, maximum	°C	± 5
Temperature fluctuations when carrying out filtration processes, maximum	°C / hour	± 5
Relative humidity		
Relative humidity during operation, maximum	%	60
Relative humidity fluctuations when carrying out filtration processes, maximum	%	± 10
Relative humidity fluctuations when carrying out filtration processes, maximum	% / hour	± 10
Protection class according to EN 60529		IP2X

9.3 Approved Sartorius Filters

	Order Product code	
Sartocon® Slice 50	3D91441950ELLPU	
	3D91441950MLLPU	
	3D91442950ELLPU	
	3D91442950MLLPU	
	3D91443950ELLPU	
	3D91443950MLLPU	
	3D91445950ELLPU	
	3D91445950MLLPU	
	3D91447950ELLPU	
	3D91447950MLLPU	
	3D91460950ELLPU	
	3D91460950MLLPU	
	3D91462950ELLPU	
	3D91462950MLLPU	
	3D91463450ELLPU	
	3D91463450MLLPU	
	3D91463950ELLPU	
	3D91463950MLLPU	
	3D91465050ELLPU	
	3D91465050MLLPU	
	3D91465950ELLPU	
	3D91465950MLLPU	
	3D91466850ELLPU	
	3D91466850MLLPU	
	3D91467950ELLPU	
	3D91467950MLLPU	
	Hollow Fiber TFF Modules Single-use Line	SU00305DIS12L6
		SU00505DIS12L6
		SU01005DIS12L6
		SU03005DIS12L6
SU05005DIS12L6		
SU10005DIS12L6		
SU30005DIS12L6		
SU00305DIS24L6		
SU00505DIS24L6		
SU01005DIS24L6		
SU03005DIS24L6		
SU05005DIS24L6		
SU10005DIS24L6		
SU30005DIS24L6		

	Order Product code
Hollow Fiber TFF Modules Re-Use Line	WA00305DIS12L6
	WA00505DIS12L6
	WA01005DIS12L6
	WA03005DIS12L6
	WA05005DIS12L6
	WA10005DIS12L6
	WA30005DIS12L6
	WA00305DIS24L6
	WA00505DIS24L6
	WA01005DIS24L6
	WA03005DIS24L6
	WA05005DIS24L6
	WA10005DIS24L6
WA30005DIS24L6	
Hollow Fiber TFF Steamer Line	AU03005DIS12L6
	AU05005DIS12L6
	AU10005DIS12L6
	AU30005DIS12L6
	AU03005DIS24L6
	AU05005DIS24L6
	AU10005DIS24L6
AU30005DIS24L6	

9.4 Other Approved Filters

Repligen MicroKros Hollow Fiber Filters

Cytiva Minimate™ TFF Capsule

Cytiva MidGee™ Hollow Fiber Filters

Merck Millipore Pellicon® XL 50

10 Sartorius Service

Sartorius Service is available for queries regarding the product. For information about the service addresses, services provided or to contact a local representative, please visit the Sartorius website (www.sartorius.com).

When contacting Sartorius Service with questions about the system or in the event of malfunctions, be sure to have the product information – e.g. serial number, hardware, firmware, configuration – close at hand. This information can be found on the manufacturer's ID label.

11 Trademark Information

Minimate™ and MidGee™ are registered trademarks of Cytiva Sweden AB.

Pellicon® is a registered trademark of Merck KGaA.

Inhalt

1	Über dieses Dokument	26	6	Clean-in-Place-Verfahren	40
1.1	Gültigkeit	26	7	Aufbewahrung	42
1.2	Mitgeltende Dokumente	26	8	Entsorgung	43
1.3	Zielgruppen	26	8.1	Hinweise zur Dekontamination.....	43
1.4	Darstellungsmittel	27	8.2	Produkt entsorgen	43
1.4.1	Warnhinweise in Handlungs- beschreibungen	27	8.2.1	Hinweise zur Entsorgung	43
1.4.2	Weitere Darstellungsmittel	27	8.2.2	Entsorgung	43
2	Sicherheitshinweise	27	9	Technische Daten	44
2.1	Bestimmungsgemäße Verwendung	27	9.1	Abmessungen und Gewicht	44
2.2	Personalqualifikation.....	28	9.2	Umgebungsbedingungen am Aufstellort	44
2.3	Sicherheitseinrichtungen	28	9.3	Zugelassene Sartorius-Filter	45
2.4	Verbrauchsmaterialien	28	9.4	Andere zugelassene Filter	46
2.5	Magnetkräfte	29	10	Sartorius Service	46
2.6	Persönliche Schutzausrüstung.....	29	11	Informationen zu den Markenzeichen	46
2.7	Undichtigkeit von Filtern.....	29			
2.8	Mögliche Beeinträchtigung der Gasdichtigkeit	29			
3	Übersicht über das Produkt	30			
3.1	Schlauch-Set.....	31			
3.2	Schlauchlänge bei Filtern	32			
3.3	Anschlüsse an das Ambr® Crossflow-Modul ..	32			
3.4	Filtrationsprozess	32			
3.5	Sicherheitseinrichtungen	33			
4	Lieferumfang	33			
5	Bedienung	34			
5.1	Adapter einsetzen.....	34			
5.2	Flachfilter: Schlauch-Set an Filter und Schlauchanschlussblock anschließen.....	36			
5.3	Hohlfaserfilter: Schlauch-Set mit Filter und Schlauchanschlussblock verbinden.....	37			
5.4	Filter für Clean-in-Place entnehmen.....	39			

1 Über dieses Dokument

1.1 Gültigkeit

Diese Anleitung ist Teil des Produkts. Sie muss vollständig durchgelesen und an einem sicheren Ort aufbewahrt werden. Die Anleitung gilt für folgende Ausführung des Produkts:

Produkt

Ambr[®] CF-Adapterkit

1.2 Mitgeltende Dokumente

- Neben dieser Anleitung auch die folgenden Dokumente beachten:
- Anleitungen zur Kontrolleinheit und zu den zugehörigen Produkten, z. B. Barcode-Scanner
 - Anleitung zum Ambr[®] Crossflow UF- | DF-Modul
 - Anleitung zur Ambr[®] Crossflow-Software
 - Anleitung zu den verwendeten Filtern:
 - Sartoc[®] Slice 50
 - Hollow Fiber TFF-Module | Steamer Line
 - Hollow Fiber TFF-Module | Re-use Line
 - Hollow Fiber TFF-Module | Single-use Line
 - usw.

1.3 Zielgruppen

Die Anleitung richtet sich an die folgenden Zielgruppen. Die Zielgruppen müssen über die unten aufgeführten Kenntnisse verfügen.

Zielgruppe	Kenntnisse und Qualifikationen
Bediener	Der Bediener ist mit dem Produkt und den damit verbundenen Arbeitsprozessen vertraut. Der Bediener kennt die Gefahren, die bei Arbeiten mit dem Produkt auftreten können, und kann diesen vorbeugen.

1.4 Darstellungsmittel

1.4.1 Warnhinweise in Handlungsbeschreibungen

⚠️ WARNUNG

Kennzeichnet eine Gefahr, die den Tod oder schwere Verletzungen zur Folge haben kann, wenn sie nicht vermieden wird.

⚠️ ACHTUNG

Kennzeichnet eine Gefahr, die Sachschäden zur Folge haben kann, wenn sie nicht vermieden wird.

1.4.2 Weitere Darstellungsmittel

- ▶ Handlungsanweisung: Beschreibt Tätigkeiten, die ausgeführt werden müssen. Die Tätigkeiten in Handlungsabfolgen müssen nacheinander ausgeführt werden.
- ▷ Ergebnis: Beschreibt das Ergebnis der ausgeführten Tätigkeiten.

2 Sicherheitshinweise

2.1 Bestimmungsgemäße Verwendung

Das Ambr® CF-Adapterkit ist für den Einsatz im Ambr® Crossflow UF- | DF-Modul vorgesehen. Das Produkt eignet sich für die Crossflow-Filtrationen „Ultrafiltration“ (UF) und „Diafiltration“ (DF). Das Produkt ist ein optionales Zubehör, das die Verwendung anderer Filter statt des Standard-Ambr® CF-Filters erlaubt.

Für die Steuerung der Filtrationsprozesse dürfen nur die Kontrolleinheit und die Ambr® Crossflow-Software ab Version 19 verwendet werden. Die Filtrationsprozesse können durch die Ambr® Crossflow-Software automatisiert werden.

Wenn die verwendeten Prozesse von den vordefinierten Prozessen in der Ambr® Crossflow-Software abweichen, z. B. bei Betrieb einer Feed-Pumpe im Rückwärtsbetrieb: Für die Filtrationsprozesse muss eine spezifische Risikobewertung durchgeführt werden, um Gefährdungen aus den abweichenden Prozessen auszuschließen.

In das Produkt dürfen nur unterstützte Filter eingesetzt werden (siehe Kapitel „9.3 Zugelassene Sartorius-Filter“, Seite 45 | Kapitel „9.4 Andere zugelassene Filter“, Seite 46). Die Filter im Adapter sind zum einmaligen Gebrauch vorgesehen und sind danach zu entsorgen; ausgenommen hiervon sind die Hollow Fiber TFF-Module | Re-use Line. Das Produkt selbst kann ortsgebunden gereinigt und wiederverwendet werden. Die Software enthält jedoch keine Funktion zur Reinigung des Filters nach dem Gebrauch. Damit ein Filter wiederverwendet werden kann, müssen ein eigenes Reinigungsprotokoll erstellt und die erforderlichen Risikobewertungen durchgeführt werden.

Auch wenn der Adapter für Filter anderer Hersteller geeignet ist, übernimmt Sartorius keine Garantie für die Betriebsleistung, die Langlebigkeit und Genauigkeit des Ambr® Crossflow-Moduls bei Verwendung von Filtern anderer Hersteller. Für maximale Kompatibilität und Sicherheit wird die Verwendung von Filtern von Sartorius empfohlen.

Das Produkt ist ausschließlich für die Verwendung gemäß dieser Anleitung bestimmt. Jede weitere Verwendung gilt als nicht bestimmungsgemäß.

Bei nicht bestimmungsgemäßer Verwendung des Produkts können die Sicherheitseinrichtungen des Produkts beeinträchtigt werden. Dies kann zu unvorhersehbaren Körperverletzungen oder Sachschäden führen.

Betriebsbedingungen für das Produkt

Das Produkt nicht in explosionsgefährdeten Bereichen einsetzen. Das Produkt ist ausschließlich für den Gebrauch in Innenräumen vorgesehen.

Das Produkt darf nur mit der im Abschnitt „Technische Daten“ beschriebenen Ausstattung und unter den dort angegebenen Betriebsbedingungen verwendet werden.

Modifikationen am Produkt

Wenn das Produkt modifiziert wird, kann es zu einer Gefährdung von Personen kommen. Produktspezifische Dokumente und Produktzulassungen können ihre Gültigkeit verlieren.

An Sartorius wenden, wenn Fragen zu Modifikationen bestehen.

2.2 Personalqualifikation

Personen ohne ausreichende Kenntnisse im Gebrauch des Produkts können sich und andere verletzen.

Wenn für eine Tätigkeiten eine bestimmte Qualifikation erforderlich ist, wird die Zielgruppe angegeben. Wenn keine Qualifikation angegeben ist, kann die Tätigkeit von der Zielgruppe „Bediener“ durchgeführt werden.

2.3 Sicherheitseinrichtungen

Die Sicherheitseinrichtungen des Produkts schützen Personen, die am Produkt arbeiten, vor Gefährdungen, die vom Produkt ausgehen. Wenn die Sicherheitseinrichtungen am Produkt demontiert oder verändert werden, besteht die Gefahr schwerer Verletzungen.

- ▶ Die Sicherheitseinrichtungen nicht demontieren, verändern oder deaktivieren (Sicherheitseinrichtungen siehe Kapitel 3.5, Seite 33).

2.4 Verbrauchsmaterialien

Ungeeignete Verbrauchsmaterialien können die Funktion und Sicherheit des Produkts beeinträchtigen und folgende Konsequenzen haben:

- Verletzungsgefahr
 - Beschädigungen am Produkt
 - Fehlfunktionen des Produkts
 - Ausfall des Produkts
- ▶ Nur zugelassene Verbrauchsmaterialien und Ersatzteile von Sartorius für dieses Produkt verwenden.

2.5 Magnetkräfte

Die Magnete für den Schlauchanschlussblock sind am Halter des Produkts angebracht. Magnete können Schrittmacher oder andere medizinische Implantate stören. Menschen mit Schrittmachern oder anderen medizinischen Implantaten können davon betroffen sein.

- ▶ Menschen mit Schrittmachern oder anderen medizinischen Implantaten müssen einen Sicherheitsabstand von mindestens 0,1 m zum Gerät einhalten.
- ▶ Am Aufstellort auf die Gefahr durch Magnetkräfte hinweisen.

2.6 Persönliche Schutzausrüstung

Die persönliche Schutzausrüstung schützt vor Gefährdungen durch das Produkt. Wenn die persönliche Schutzausrüstung fehlt oder für die Arbeitsprozesse mit dem Produkt ungeeignet ist, besteht Verletzungsgefahr.

Die folgende persönliche Schutzausrüstung tragen:

- Schutzbrille
- Schutzhandschuhe
- Schutzkleidung

2.7 Undichtigkeit von Filtern

Das Lösen der Klemmringverbindungen am Produkt kann eine Undichtigkeit hervorgerufen werden, die zu Verletzungen wie leichten Verletzungen durch Kontakt mit Chemikalien oder zu Verletzungen durch Ausrutschen oder Stürze auf einem nassen oder rutschigen Untergrund führen kann.

- ▶ Die Klemmringverbindungen niemals lösen.

2.8 Mögliche Beeinträchtigung der Gasdichtigkeit

Das Löschen oder Ändern von standardmäßigen und Filterphasen zur Überprüfung der Gasdichtigkeit in der Ambr® Crossflow-Software kann die Systemsicherheit beeinträchtigen und Undichtigkeiten hervorrufen.

- ▶ Diese Phasen dürfen in der Standard-Template für Rezepte weder gelöscht noch geändert werden.
- ▶ Änderungen erfolgen auf eigenes Risiko.

3 Übersicht über das Produkt

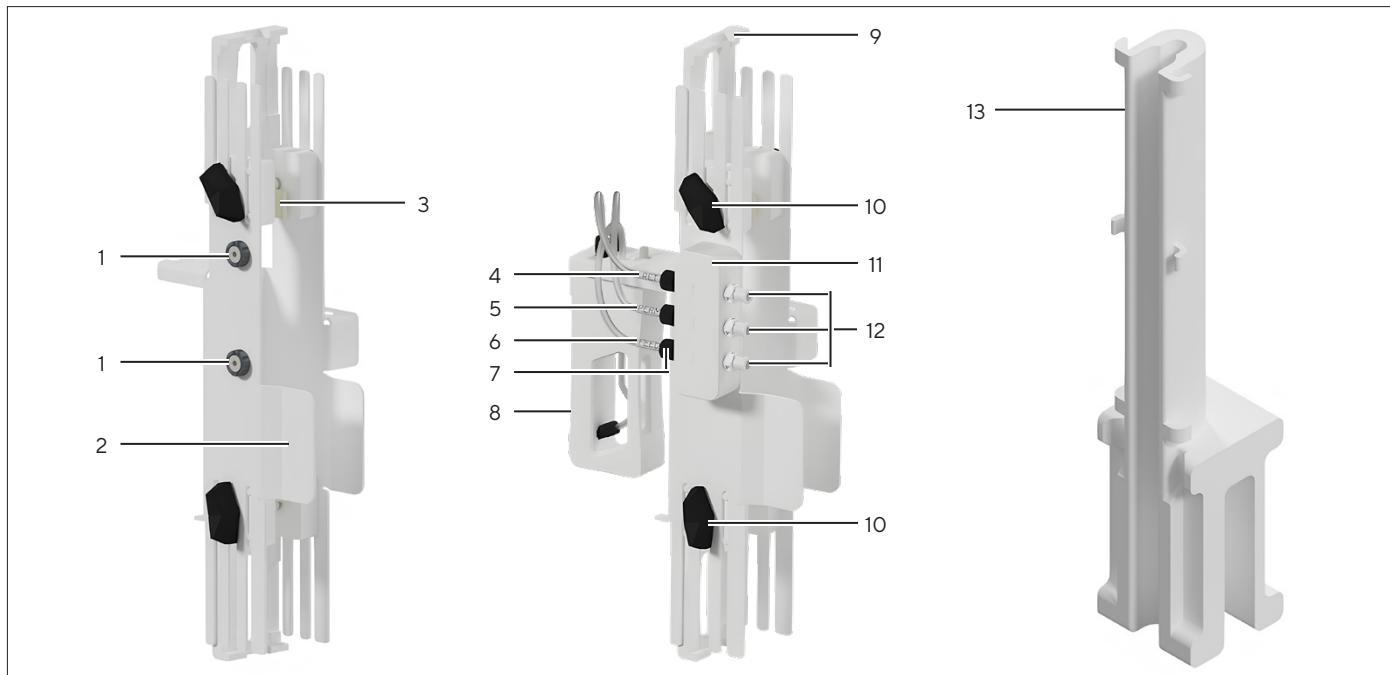


Abb.1: Adapter ohne Filter

Pos.	Bezeichnung	Beschreibung
1	Magnete	Ermöglichen das Anbringen des Schlauchschnittstellenblocks seitlich am Halter.
2	Halter	Wird am Adapter eingehängt und hält den Filter während des Filtrationsprozesses.
3	Schlauchklemmen	Mit den an den Filterklemmen angebrachten Schlauchklemmen werden Hohlfaserfilter eingerastet, wenn die Filterklemmen vertikal ausgerichtet sind.
4	Retentat-Schlauch	Verbindet den Retentat-Anschluss am Adapter mit dem Retentat-Anschluss am Schlauchanschlussblock.
5	Permeat-Schlauch	Verbindet den Permeat-Anschluss am Adapter mit dem Permeat-Anschluss am Schlauchanschlussblock.
6	Feed-Schlauch	Verbindet den Feed-Anschluss am Adapter mit dem Feed-Anschluss am Schlauchanschlussblock.
7	Klemmringverbindungen	Eine am Ende jedes Schlauchs, umfasst den Schlauch und wird in den entsprechenden Anschluss am Adapter oder am Schlauchanschlussblock geschraubt.
8	Adapter	Wird anstelle des Standard-Ambr® CF-Filters als Schnittstelle zum Ambr® Crossflow-Modul eingesetzt.
9	Filterklemmen	Sichern mithilfe von Rändelschrauben den Filter im Halter. Die Klemmen können je nach Filtertyp horizontal oder vertikal ausgerichtet werden. An den Filterklemmen sind Schlauchklemmen angebracht, mit denen die Hohlfaserfilter befestigt werden.
10	Rändelschraube	Hält die Filterklemmen im Halter in Position.
11	Schlauchschnittstellenblock	Wird mit Magneten an der Seite des Halters befestigt und verbindet die Schläuche zwischen Adapter und Filter.
12	Luer-Konnektoren	Verbinden die Filterschläuche mit dem entsprechenden Anschluss des Schlauchanschlussblocks.
13	Filterführung	Stützt die längeren Hohlfaserfilter und ermöglicht die Befestigung des Schlauchs an der Seite.

3.1 Schlauch-Set

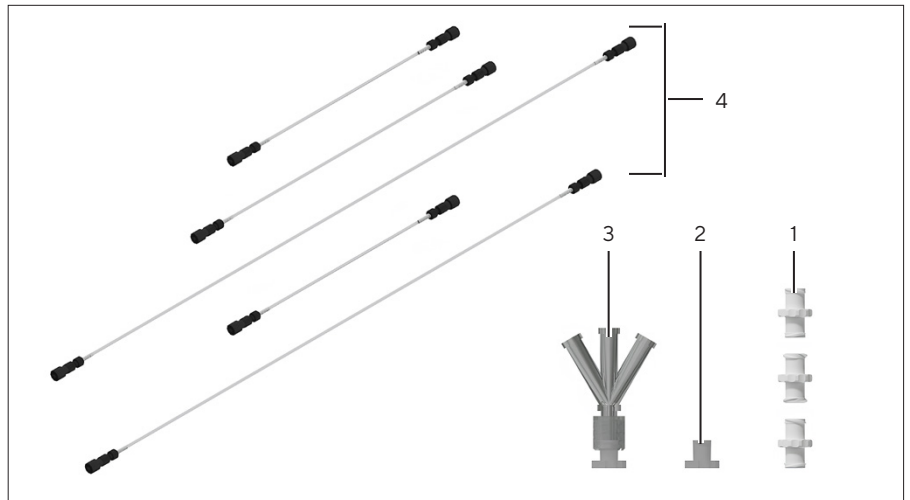


Abb. 2: Schlauch-Set Adapter

Pos.	Bezeichnung	Beschreibung
1	Luer-Lock-Konnetktor (weiblich/weiblich)	Dient zum Anschließen des Schlauch-Sets an die Anschlüsse der Filter (bei bestimmten Filtern).
2	Luer-Kappe mit Innengewinde	Dient zum Verschließen des nicht belegten Permeat-Anschlusses bei bestimmten Filtern.
3	CIP-Anschluss	4-Wege-Luer-Lock-Anschluss, der für das CIP-Verfahren (Clean-In-Place) nach dem Filtrationsprozess verwendet wird. Wird mit einer Luer-Kappe mit Innengewinde geliefert, um den 4. Anschluss zu blockieren.
4	Schlauch-Set	<p>Dient der Herstellung der Verbindung zwischen Filter und Schlauchschnittstellenblock; umfasst 5 verschiedene lange Schläuche für verschiedene Filtergrößen:</p> <ul style="list-style-type: none"> – 1 x Feed-Schlauch (allgemein für alle Filter) – 2 x Retentat-Schläuche (ein kurzer und ein langer) – 2 x Permeat-Schläuche (ein kurzer und ein langer) <p>Details dazu, welcher Schlauch mit den einzelnen Filtern zu verwenden ist, siehe Kapitel „3.2 Schlauchlänge bei Filtern“, Seite 32.</p> <p>Die einzelnen Schläuche sind mit „FEED“, „RET“ bzw. „PERM“ für den entsprechenden Anschluss gekennzeichnet. Die Enden der Schläuche weisen eine Klemmringverbindung und einen Luer-Lock-Anschluss auf, um die Verbindung mit dem Schlauchanschlussblock und dem Filter herzustellen.</p>

3.2 Schlauchlänge bei Filtern

	Feed	Retentat	Permeat
Sartocon® Slice 50	Allgemein	Kurz	Kurz
Cytiva Minimate™		Kurz	Kurz
Merck Millipore Pellicon® XL 50		Kurz	Kurz
Hollow Fiber TFF-Module Single-use Line Discover TM 12"		Kurz	Kurz
Repligen MicroKros 20 cm		Kurz	Kurz
Cytiva MidGee™		Kurz	Kurz
Repligen MicroKros 41,5 cm 65 cm		Lang	Lang
Hollow Fiber TFF-Module Single-use Line Discover TM 24"		Lang	Lang

3.3 Anschlüsse an das Ambr® Crossflow-Modul

Der Anschluss des Adapters an das Ambr® Crossflow-Modul erfolgt auf die gleiche Weise wie der Anschluss des Standard-Filters, nämlich über die 3 Anschlüsse für den Feed-, den Permeat- und den Retentat-Schlauch. Die im Lieferumfang des Produkts enthaltenen Schläuche verbinden jeden dieser Anschlüsse mit dem entsprechenden Anschluss am Schlauchanschlussblock. Das mitgelieferte Schlauch-Set vereinfacht die Verbindung jedes dieser 3 Anschlüsse des Filters mit dem entsprechenden Anschluss am Schlauchanschlussblock.

Mit dem Filterhalter kann der Filter sicher befestigt und über das Schlauch-Set mit dem Adapter verbunden werden. 1 der 2 Permeat-Anschlüsse des Filters wird nicht verwendet und muss daher mit einer Luer-Kappe verschlossen werden. Die meisten Filter werden mit Luer-Kappen an allen Anschlüssen geliefert; falls nicht, ist eine Ersatzkappe im Lieferumfang enthalten. Es muss sichergestellt werden, dass die Luer-Kappe fest auf dem nicht verwendeten Permeat-Anschluss sitzt, sonst können der Gasdichtigkeits-test des Filters und der anschließende Filtrationsprozess fehlschlagen.

3.4 Filtrationsprozess

Der Filtrationsprozess ist bei Verwendung des Produkts mit dem Ambr® Crossflow-Modul unverändert, unabhängig davon, ob es sich um eine Ultrafiltration oder Diafiltration handelt. Anstatt direkt in den Standard-Filter zu gelangen, fließt die Lösung vom Feed-Anschluss des Adapters in den entsprechenden Anschluss des Schlauchanschlussblocks und dann in den Filter. Anschließend fließt die Lösung aus dem Filter über die Retentat- und | oder Permeat-Anschlüsse zurück in die entsprechenden Anschlüsse des Schlauchanschlussblocks und schließlich in den Adapter und das Ambr® Crossflow-Modul.

3.5 Sicherheitseinrichtungen

Die Schläuche, Klemmringverbindungen und Luer-Lock-Anschlüsse, die mit dem Produkt geliefert werden, wurden entwickelt und getestet, um hohen Drücken standzuhalten, sodass das System im Falle einer Blockage eigensicher ist. Sie dürfen **nicht** verändert oder modifiziert werden.



Abb. 3: Adapter und Filterhalter

Pos.	Bezeichnung
1	Schläuche
2	Klemmringverbindungen
3	Luer-Lock-Anschlüsse

4 Lieferumfang

Element	Menge
Ambr® CF-Adapterkit, bestehend aus	1
Adapter	4
Filterhalter	4
Filterklemmen (mit Schlauchklemmen und Rändelschrauben)	8
Filterführungen	4
Schlauch-Sets (jeweils bestehend aus 1 x Feed-Schlauch, 2 x Retentat- und 2 x Permeat-Schläuchen)	4
CIP-Anschlüsse (jeweils versehen mit einer Luer-Kappe mit Innengewinde)	4
Ersatz-Luer-Kappe mit Innengewinde	4
Luer-Lock-Konnektoren (weiblich/weiblich)	12
Installationsanleitung	1

5 Bedienung

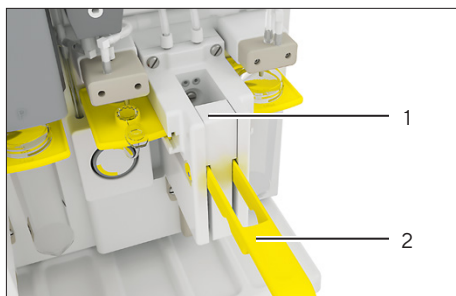
5.1 Adapter einsetzen

Voraussetzungen

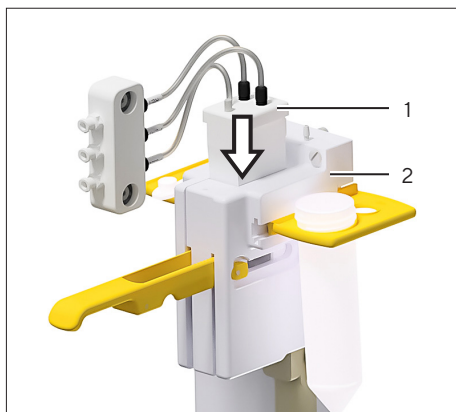
Der Bediener wird auf dem Bildschirm der Kontrolleinheit dazu aufgefordert, mindestens 1 Adapter zu verwenden.

Vorgehen

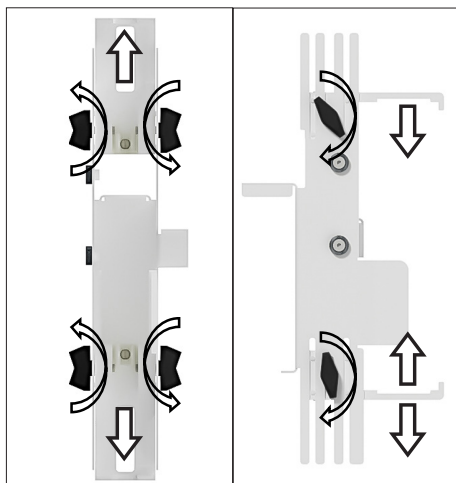
- ▶ **ACHTUNG** Bei nicht kompatiblen Filtern kann es zu Funktionsstörungen des Produkts kommen! Sicherstellen, dass die Filter mit dem Produkt kompatibel sind (Kompatibilität siehe Kapitel „9.3 Zugelassene Sartorius-Filter“, Seite 45 | Kapitel „9.4 Andere zugelassene Filter“, Seite 46).
- ▶ Die Klemme des Filterhalters durch Anheben des Griffs (2) lösen und die Druckplatte (1) nach vorn ziehen.

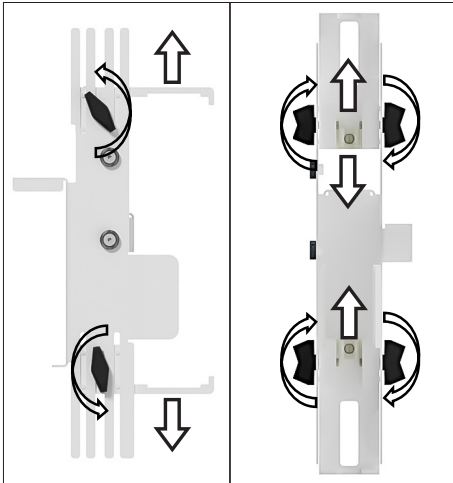


- ▶ Nur den Adapter (1) mit dem angebrachten Schlauch-Schnittstellenblock von oben in den Filterhalter (2) einbringen.
- ▶ Die Öffnungen im Filterhalter müssen zum Ambr® Crossflow-Modul zeigen. Die auf der Oberseite des Adapters eingeprägte Buchstaben sollten beim Blick von oben richtig herum sein.

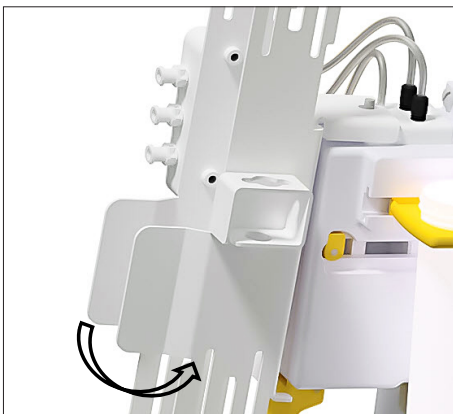


- ▶ Standardmäßig und zu Transportzwecken sind die Filterklemmen am Halter in vertikaler Ausrichtung für Hohlfaserfilter eingestellt.
- ▶ Um Flachfilter zu verwenden, die Rändelschrauben an jeder Seite der Filterklemmen oben und unten am Halter abschrauben, um die Filterklemmen aus dem Halter zu schieben.
- ▶ Die Filterklemmen um 90° drehen und wieder im Halter einsetzen.
- ▶ Die Rändelschrauben zum Sichern anziehen.
- ▶ Sicherstellen, dass die obere Klemme unten in ihrem Schlitz steckt.
- ▶ Die Position der unteren Klemme wird je nach verwendetem Filter eingestellt.

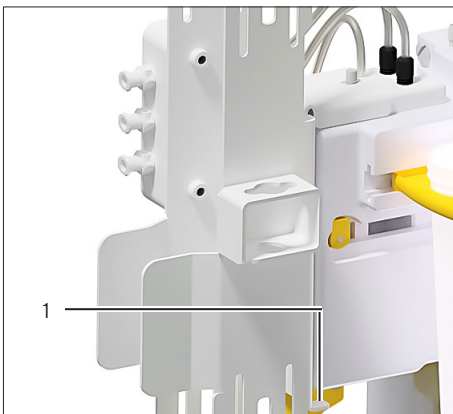




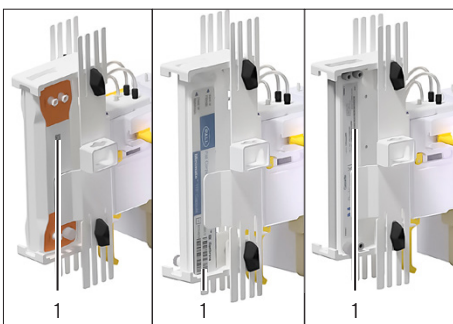
- ▶ Wenn die Filterklappen horizontal angebracht sind (bei Flachfiltern) und ein Wechsel zu Hohlfaserfiltern erfolgt, die Rändelschrauben an jeder Seite der Filterklappen oben und unten am Halter abschrauben.
- ▶ Die Filterklappen um 90° drehen und wieder im Halter einsetzen; dann die Rändelschrauben zum Sichern anziehen.
- ▶ Sicherstellen, dass die untere Klemme oben in ihrem Schlitz steckt.
- ▶ Die Position der oberen Klemme wird je nach eingesetztem Filter eingestellt.



- ▶ Sobald die Filterklappen in der gewünschten Ausrichtung am Halter angebracht sind, den Halter im Adapter einhängen.



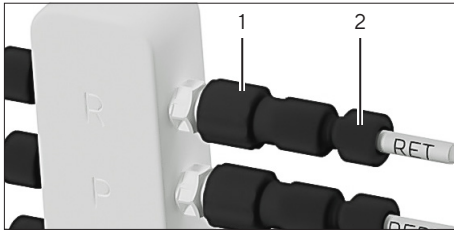
- ▶ Optional: Den Halter leicht neigen, um sicherzustellen, dass die 2 Stifte (1) an der Unterseite auf beiden Seiten des Griffs des Filterhalters passen.



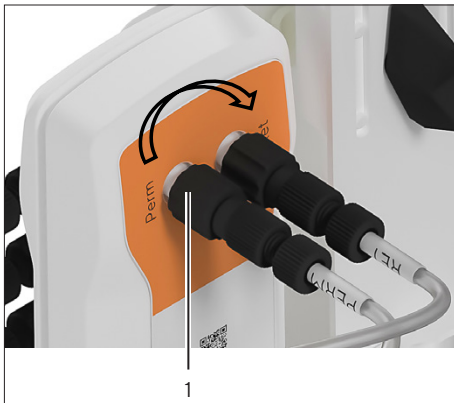
- ▶ Wenn ein Flachfilter verwendet wird, diesen im Halter einsetzen.
- ▶ Die untere Klemme nach Bedarf verstellen.
- ▶ Sicherstellen, dass sich der Barcode (1) auf der gegenüberliegenden Seite des Schlauchanschlussblocks befindet, damit er später gescannt werden kann.

5.2 Flachfilter: Schlauch-Set an Filter und Schlauchanschlussblock anschließen

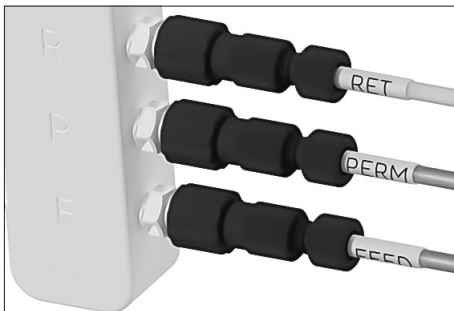
Vorgehen



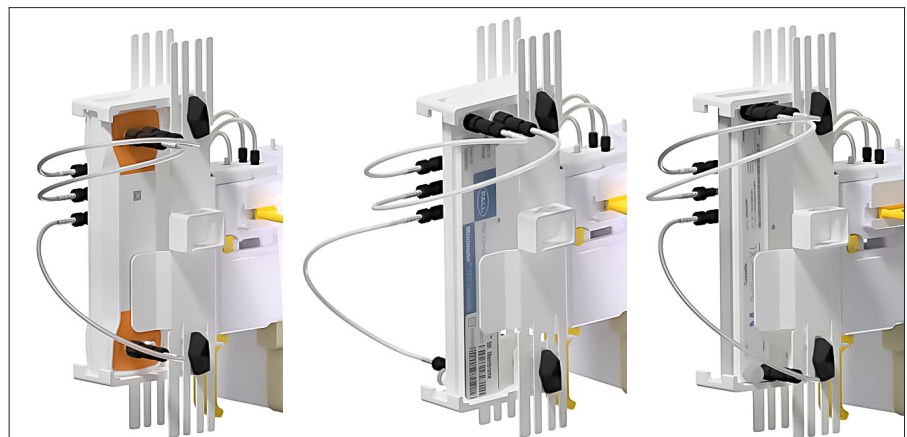
- ▶ **ACHTUNG** Undichtigkeiten aufgrund loser Klemmringverbindungen!
 - ▶ Beim Anschließen | Trennen von Schläuchen am Produkt sicherstellen, dass nur der Luer-Lock-Ring (1) des Anschlusses angefasst wird.
 - ▶ Die Klemmringverbindungen (2) nicht drehen.
 - ▶ Wenn die Klemmringverbindung versehentlich gelöst wird, diese von Hand wieder so fest wie möglich anziehen.



- ▶ Die Luer-Lock-Anschlüsse in die entsprechenden Anschlüsse des Filters und | oder Schlauchanschlussblocks einrasten:
 - ▶ Die Luer-Lock-Ringe (1) auf die Luer-Lock-Anschlüsse drehen.
 - ▶ Sicherstellen, dass die Luer-Lock-Anschlüsse in die entsprechenden Anschlüsse des Filters und | oder Schlauchanschlussblocks einrasten; dann die Luer-Lock-Ringe festziehen.



- ▶ Die Schläuche sind mit „RET“, „PERM“ und „FEED“ gekennzeichnet. Sicherstellen, dass die Schläuche an den jeweils entsprechenden Anschluss des Filters und des Schlauchanschlussblocks angeschlossen werden.
- ▶ Bestimmte Filter: Bei Bedarf Luer-auf-Luer-Lock-Konnektoren (weiblich) verwenden.
- ▶ Den nicht belegten Permeat-Anschluss des Filters (Unterseite) verschließen.
- ▶ Bei bestimmten Filtern ist es u. U. einfacher, zuerst ein Ende des Schlauch-Sets mit dem Filter (auf dem Tisch) zu verbinden.
 - ▶ Anschließend wird der Filter in den Halter eingesetzt, bevor das andere Ende des Schlauch-Sets mit dem Schlauchanschlussblock verbunden wird.
- ▶ Den Schlauchanschlussblock mithilfe der mitgelieferten Magnete an der Seite des Halters befestigen.
- ▶ Der eingefügte Adapter sollte wie folgt aussehen:

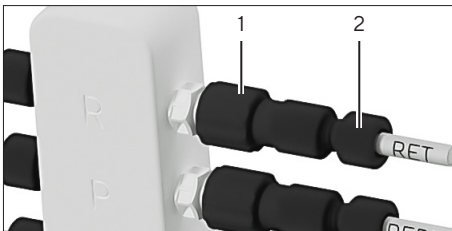


- ▶ Den Aufforderungen auf dem Bildschirm der Kontrolleinheit folgen. Für Filter, bei denen es nicht möglich ist, den Barcode auf dem Filter selbst oder auf der Verpackung zu scannen, ist die manuelle Eingabe in der Ambr® Crossflow-Software vorgesehen.

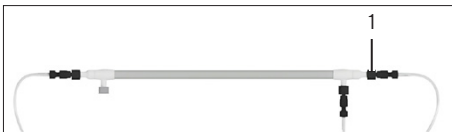
5.3 Hohlfaserfilter: Schlauch-Set mit Filter und Schlauchanschlussblock verbinden

Bei Verwendung eines Hohlfaserfilters wird zwecks einfacherer Handhabung empfohlen, das Schlauch-Set an den Filter anzuschließen, bevor der Filter in den Halter eingesetzt wird.

Vorgehen

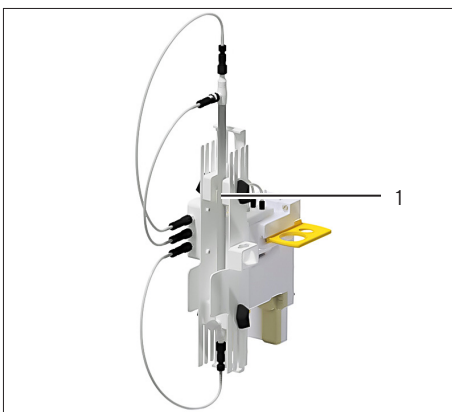


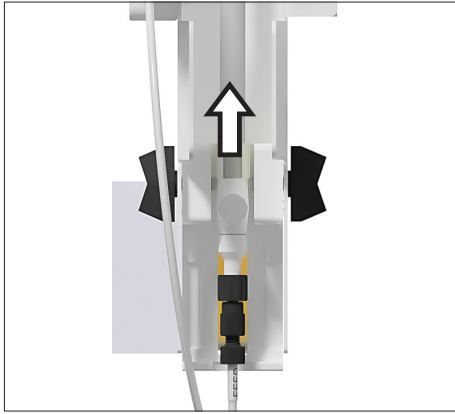
- ▶ **ACHTUNG** Undichtigkeiten aufgrund loser Klemmringverbindungen!
 - ▶ Beim Anschließen | Trennen von Schläuchen am Produkt sicherstellen, dass nur der Luer-Lock-Ring (1) des Anschlusses angefasst wird.
 - ▶ Die Klemmringverbindungen (2) nicht drehen.
 - ▶ Wenn die Klemmringverbindung versehentlich gelöst wird, diese von Hand wieder so fest wie möglich anziehen.



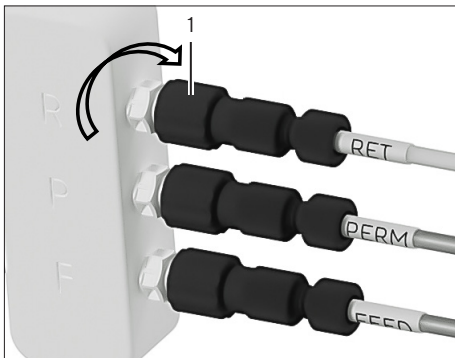
- ▶ Für den ausgewählten Filter einen Retentat- und Permeat-Schlauch in geeigneter Länge verwenden (siehe Kapitel „3.2 Schlauchlänge bei Filtern“, Seite 32).
- ▶ Die Luer-Lock-Anschlüsse (1) in die entsprechenden Anschlüsse des Filters einrasten.
- ▶ Die Luer-Lock-Ringe auf die Luer-Lock-Anschlüsse drehen.
- ▶ Sicherstellen, dass die Luer-Lock-Anschlüsse in die entsprechenden Anschlüsse am Filter einrasten; dann die Luer-Lock-Ringe festziehen.

- ▶ Die Schläuche sind mit „FEED“, „RET“ und „PERM“ gekennzeichnet. Sicherstellen, dass die Schläuche an den jeweils entsprechenden Anschluss des Filters angeschlossen werden.
- ▶ Bestimmte Filter: Bei Bedarf Luer-auf-Luer-Lock-Konnektoren (weiblich) verwenden.
- ▶ Den nicht verwendeten Permeat-Anschluss des Filters (Unterseite) verschließen (insbesondere die mit dem Cytiva-Filter gelieferten Kappen sind nicht geeignet; stattdessen die im Lieferumfang enthaltene Luer-Kappe mit Innengewinde verwenden).
- ▶ Den Hohlfaserfilter in den Schlauch-Clips (1) auf den 2 Filterklemmen befestigen.
- ▶ Sicherstellen, dass der Hohlfaserfilter nach so weit oben wie möglich in den Halter geschoben wird, damit unten ausreichend Platz für den Feed-Schlauch ist.





- ▶ Die Höhe der oberen Filterklemme im Schlitz an den Hohlfilter anpassen.
- ▷ Die Clips an den Filterklemmen bieten ausreichend Platz sowohl für die Hollow Fiber TFF-Module mit „großem“ Durchmesser als auch die anderen Hohlfilter mit „kleinem“ Durchmesser.



- ▶ Den Schlauch vom Hohlfilter an den entsprechenden Anschluss des Schlauchanschlussblocks anschließen.
- ▶ Die Luer-Lock-Anschlüsse in die entsprechenden Anschlüsse des Filters und | oder Schlauchanschlussblocks einrasten:
 - ▶ Die Luer-Lock-Ringe (1) auf die Luer-Lock-Anschlüsse drehen.
 - ▶ Sicherstellen, dass die Luer-Lock-Anschlüsse in die entsprechenden Anschlüsse des Schlauchanschlussblocks einrasten; dann die Luer-Lock-Ringe festziehen.
 - ▶ Die Schläuche sind mit „RET“, „PERM“ und „FEED“ gekennzeichnet. Sicherstellen, dass die Schläuche an den jeweils entsprechenden Anschluss des Schlauchanschlussblocks angeschlossen werden.

- ▶ Den Schlauchanschlussblock mithilfe der mitgelieferten Magnete an der Seite des Halters befestigen.
- ▶ Bei Verwendung eines Hohlfilter mit langem Retentat- und Permeat-Schlauch (siehe Kapitel „3.2 Schlauchlänge bei Filtern“, Seite 32) die Filterführung oben auf die obere Filterklemme aufsetzen und den Retentat- und Permeat-Schlauch an den Seiten der Filterführung entlang führen.
- ▷ Der eingefügte Adapter sollte wie folgt aussehen:



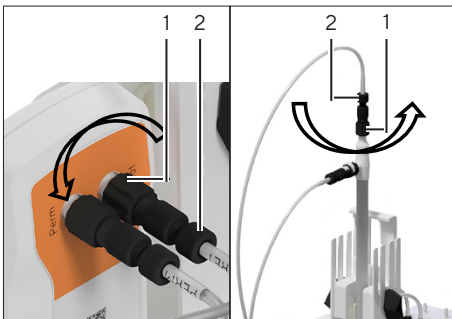
- ▶ Den Aufforderungen auf dem Bildschirm der Kontrolleinheit folgen. Für Filter, bei denen es nicht möglich ist, den Barcode auf dem Filter selbst oder auf der Verpackung zu scannen, ist die manuelle Eingabe in der Ambr® Crossflow-Software vorgesehen.

5.4 Filter für Clean-in-Place entnehmen

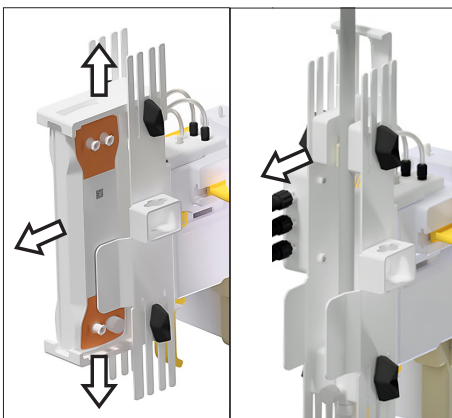
Voraussetzungen

Der Bediener wird auf dem Bildschirm der Kontrolleinheit dazu aufgefordert, mindestens 1 Filter aus dem Ambr® Crossflow UF- | DF-Modul zu entnehmen. Dies sollte vor der Durchführung des Clean-in-Place (CIP) mit dem mitgelieferten CIP-Anschluss erfolgen.

Vorgehen



- ▶ **ACHTUNG** Undichtigkeiten aufgrund loser Klemmringverbindungen!
 - ▶ Beim Anschließen | Trennen von Schläuchen am Produkt sicherstellen, dass nur der Luer-Lock-Ring (1) des Anschlusses angefasst wird.
 - ▶ Die Klemmringverbindungen (2) nicht drehen.
 - ▶ Wenn die Klemmringverbindung versehentlich gelöst wird, diese von Hand wieder so fest wie möglich anziehen.
- ▶ Die Luer-Lock-Ringe (1) der Luer-Lock-Anschlüsse losschrauben.
 - ▶ Die Luer-Kegel drehen und ziehen, um sie vom Filter zu lösen; dabei den Luer-Lock-Anschluss festhalten.
- ▶ Die Schläuche dürfen nicht vom Schlauchanschlussblock getrennt werden.



- ▶ Wenn alle 3 Anschlüsse gelöst sind, den Hohlfilter aus den Schlauch-Clips lösen. Bei Verwendung eines Flachfilters die Rändelschrauben so weit herausdrehen, dass die Filterklappen gelöst werden; dann den Filter entnehmen.

- ▶ Den Filter entnehmen und ordnungsgemäß entsorgen.

6 Clean-in-Place-Verfahren

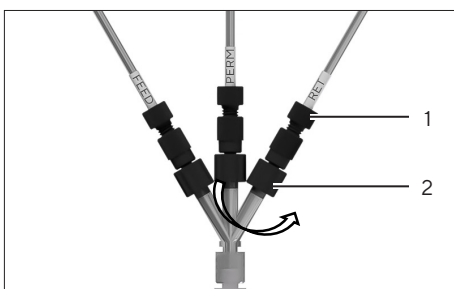
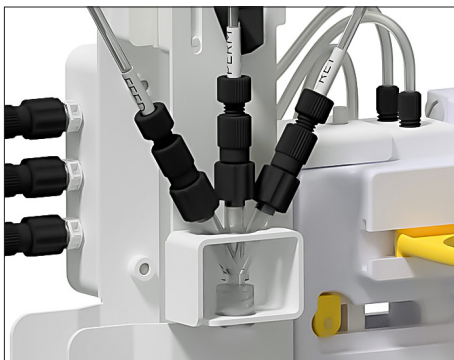
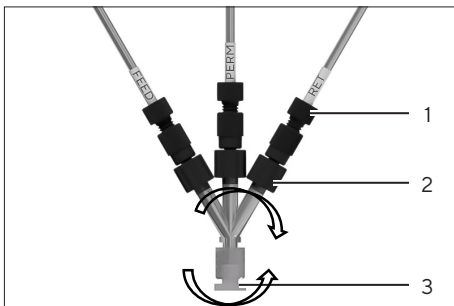
Nach einem Filtrationsprozess mit dem Adapter muss eine Reinigung vor Ort nach Clean-in-Place-Verfahren (CIP) durchgeführt werden, um die Flüssigkeitsleitungen von Restflüssigkeit aus dem Filtrationsprozess zu reinigen. Der CIP-Anschluss wird mit dem Adapter geliefert.

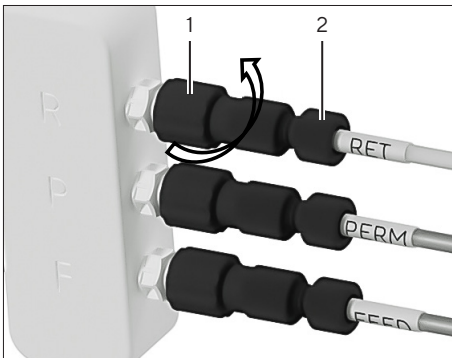
Voraussetzungen

- Der Filter wurde entnommen und entsorgt (siehe Kapitel 5.4, Seite 39).
- Der Bediener wird auf dem Bildschirm der Kontrolleinheit dazu aufgefordert, den CIP-Anschluss in das Ambr® Crossflow UF- | DF-Modul einzusetzen.

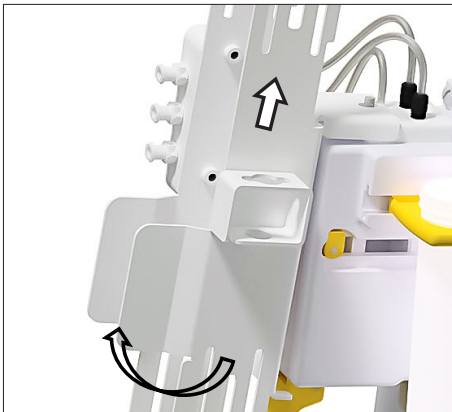
Vorgehen

- ▶ Die Schläuche des Schlauchanschlussblocks an den mitgelieferten CIP-Anschluss anschließen. Vorgehensweise:
 - ▶ Die Luer-Lock-Anschlüsse in die Luer-Buchsen des CIP-Anschlusses einrasten (anders als beim Filter ist die Anordnung beim Anschluss der 3 Schläuche nicht wichtig). Die Luer-Lock-Ringe (2) an den Luer-Lock-Anschlüssen auf den CIP-Anschluss drehen.
 - ▶ Dabei die Luer-Lock-Ringe (2) und nicht die Klemmringverbindungen (1) festhalten.
 - ▶ Sicherstellen, dass die Luer-Lock-Anschlüsse in die entsprechenden Anschlüsse einrasten; dann die Luer-Lock-Ringe festziehen.
 - ▶ Die Luer-Kappe (weiblich) (3) fest auf dem Anschluss anziehen.
- ▶ Den CIP-Anschluss seitlich am Adapter im vorgesehenen Schlitz einsetzen.
- ▶ Den Aufforderungen auf dem Bildschirm der Kontrolleinheit folgen, um das CIP-Verfahren durchzuführen.
- ▶ Wenn das CIP-Verfahren abgeschlossen ist:
 - ▶ Die Luer-Lock-Ringe der Luer-Lock-Anschlüsse (2) auf dem CIP-Anschluss losschrauben und die Anschlüsse drehen und ziehen, um sie vom CIP-Anschluss zu lösen. Dabei die Luer-Lock-Anschlüsse und nicht die Klemmringverbindungen (1) festhalten.
 - ▶ Nachdem alle 3 Luer-Lock-Anschlüsse gelöst sind, den CIP-Anschluss zur späteren Verwendung abnehmen.
 - ▶ Bei Verwendung einer Filterführung den Retentat- und den Permeat-Schlauch von deren Seite abnehmen.

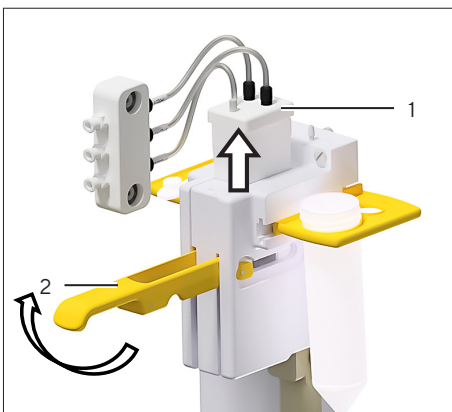




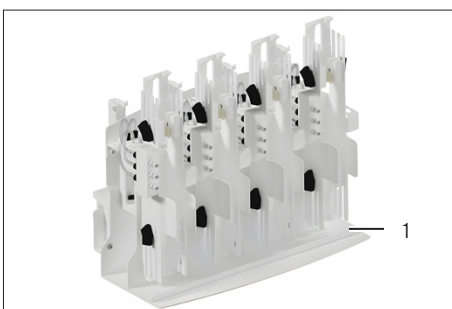
- ▶ Die Luer-Lock-Ringe der Luer-Lock-Anschlüsse (1) auf dem Schlauchanschlussblock losschrauben und die Anschlüsse drehen und ziehen, um sie vom Schlauchanschlussblock zu lösen.
- ▶ Dabei die Luer-Lock-Anschlüsse und nicht die Klemmringverbindungen (2) festhalten.



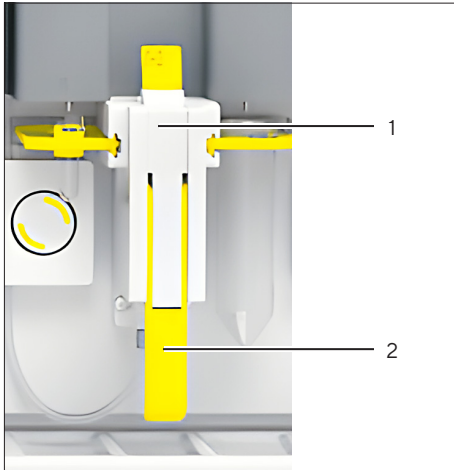
- ▶ Nachdem alle 3 Luer-Lock-Anschlüsse gelöst sind, das Schlauch-Set abnehmen und bis zur nächsten Verwendung aufbewahren.
- ▶ Bei Verwendung einer Filterführung diese aus der oberen Filterklemme lösen.
- ▶ Den Schlauchanschlussblock aus dem Halter lösen und den Halter vom Adapter aushängen.
- ▶ Optional: Den Halter leicht neigen, um sicherzustellen, dass die 2 Stifte an der Unterseite auf beiden Seiten des Griffs des Filterhalters vorbeikommen.



- ▶ Den Griff des Filterhalters (2) nach vorn ziehen.
- ▶ Den Adapter (1) aus dem Ambr® Crossflow-Filterhalter entnehmen.



- ▶ Den Adapter, den Halter und die Filterführung zwischen den Filtrationsprozessen im mitgelieferten Ständer (1) aufbewahren.



- ▶ Die Druckplatte (1) vollständig nach hinten schieben. Dadurch wird der Filterhalter verschlossen.
- ▶ Den Griff (2) in die Ausgangsposition drücken. Die Klemme ist selbstschließend und erfordert zum Schließen nur einen geringen Kraftaufwand.
- ▶ Den Aufforderungen auf dem Bildschirm der Kontrolleinheit folgen.

7 Aufbewahrung

Voraussetzungen

Der Filter wurde entfernt und das CIP-Verfahren durchgeführt (siehe Kapitel 6, Seite 40).

Vorgehen

- ▶ Luer-Kappe mit Innengewinde, Luer(weiblich)-zu-Luer-Lock-Konnektoren, CIP-Anschluss und Schlauch-Set aufbewahren.
- ▶ Sicherstellen, dass etwaige Restflüssigkeit im Schlauch und im Anschluss ordnungsgemäß abgelassen wird.
- ▶ Den Adapter, den Halter und die Filterführung unter Einhaltung der Umgebungsbedingungen aufbewahren (siehe Kapitel „9.2 Umgebungsbedingungen am Aufstellort“, Seite 44).

8 Entsorgung

8.1 Hinweise zur Dekontamination

Das Produkt enthält keine gefährlichen Materialien, deren Beseitigung besondere Maßnahmen erfordert.

Bei den im Prozess verwendeten Kulturen und Medien (z. B. Säuren und Basen) handelt es sich um potenziell gefährliche Stoffe, die biologische oder chemische Gefahren verursachen könnten.

Wenn das Produkt mit Gefahrstoffen in Kontakt gekommen ist, sind Maßnahmen zur sachgerechten Dekontamination und Deklaration durchzuführen. Der Betreiber ist dafür verantwortlich, dass die lokalen Vorschriften für das ordnungsgemäße Deklarieren für Transport und Entsorgung und die ordnungsgemäße Entsorgung des Produkts eingehalten werden.

WARNUNG

Verletzungsgefahr durch kontaminierte Teile!

Produkte, die mit Gefahrstoffen kontaminiert sind (ABC-Kontaminierung), werden von Sartorius **nicht** zur Reparatur oder Entsorgung entgegengenommen.

8.2 Produkt entsorgen

8.2.1 Hinweise zur Entsorgung

Das Produkt und dessen Zubehör müssen zum Entsorgen entsprechenden Entsorgungsanlagen zugeführt werden.

Die Verbrauchsmaterialien sind per Design zum einmaligen Gebrauch bestimmt (mit Ausnahme Hollow Fiber TFF-Module | Re-use Line).

8.2.2 Entsorgung

Voraussetzungen

Das Produkt wurde dekontaminiert.

Vorgehen

- ▶ Produkt entsorgen. Die Entsorgungsanweisungen auf unserer Internetseite befolgen (www.sartorius.com).
- ▶ Die Verpackung muss gemäß den lokalen Vorschriften entsorgt werden.
- ▶ Die Verbrauchsmaterialien müssen gemäß den lokalen Vorschriften entsorgt werden.

9 Technische Daten

9.1 Abmessungen und Gewicht

	Einheit	Wert
Abmessungen (Breite x Tiefe x Höhe), ein Adapter mit Flachfilter	mm	76 x 149 x 261
Abmessungen (Breite x Tiefe x Höhe), ein Adapter mit kurzem Hohlfaserfilter	mm	76 x 127 x 307
Abmessungen (Breite x Tiefe x Höhe), ein Adapter mit langem Hohlfaserfilter	mm	76 x 127 x 452
Abmessungen (Breite x Tiefe x Höhe), Ständer inklusive Adaptern	mm	342 x 182 x 301
Gewicht, insgesamt (4 Adapter inkl. Verpackung)	kg	5,5

9.2 Umgebungsbedingungen am Aufstellort

	Einheit	Wert
Konventionelle Laborräume, max. 2000 m über dem Meeresspiegel		
Temperatur		
Temperatur im Betrieb	°C	+6 – +40
Temperaturschwankungen bei Durchführung von Filtrationsprozessen, maximal	°C	± 5
Temperaturschwankungen bei Durchführung von Filtrationsprozessen, maximal	°C/Stunde	± 5
Relative Luftfeuchte		
Relative Luftfeuchte im Betrieb, maximal	%	60
Schwankungen der relativen Luftfeuchte bei Durchführung von Filtrationsprozessen, maximal	%	± 10
Schwankungen der relativen Luftfeuchte bei Durchführung von Filtrationsprozessen, maximal	%/Stunde	± 10
Schutzart gemäß EN 60529		IP2X

9.3 Zugelassene Sartorius-Filter

	Bestellung Produktcode	
Sartocon® Slice 50	3D91441950ELLPU	
	3D91441950MLLPU	
	3D91442950ELLPU	
	3D91442950MLLPU	
	3D91443950ELLPU	
	3D91443950MLLPU	
	3D91445950ELLPU	
	3D91445950MLLPU	
	3D91447950ELLPU	
	3D91447950MLLPU	
	3D91460950ELLPU	
	3D91460950MLLPU	
	3D91462950ELLPU	
	3D91462950MLLPU	
	3D91463450ELLPU	
	3D91463450MLLPU	
	3D91463950ELLPU	
	3D91463950MLLPU	
	3D91465050ELLPU	
	3D91465050MLLPU	
	3D91465950ELLPU	
	3D91465950MLLPU	
	3D91466850ELLPU	
	3D91466850MLLPU	
	3D91467950ELLPU	
	3D91467950MLLPU	
	Hollow Fiber TFF-Module Single-use Line	SU00305DIS12L6
		SU00505DIS12L6
		SU01005DIS12L6
		SU03005DIS12L6
SU05005DIS12L6		
SU10005DIS12L6		
SU30005DIS12L6		
SU00305DIS24L6		
SU00505DIS24L6		
SU01005DIS24L6		
SU03005DIS24L6		
SU05005DIS24L6		
SU10005DIS24L6		
SU30005DIS24L6		

	Bestellung Produktcode
Hollow Fiber TFF-Module Re-use Line	WA00305DIS12L6
	WA00505DIS12L6
	WA01005DIS12L6
	WA03005DIS12L6
	WA05005DIS12L6
	WA10005DIS12L6
	WA30005DIS12L6
	WA00305DIS24L6
	WA00505DIS24L6
	WA01005DIS24L6
	WA03005DIS24L6
	WA05005DIS24L6
	WA10005DIS24L6
WA30005DIS24L6	
Hollow Fiber TFF Steamer Line	AU03005DIS12L6
	AU05005DIS12L6
	AU10005DIS12L6
	AU30005DIS12L6
	AU03005DIS24L6
	AU05005DIS24L6
	AU10005DIS24L6
AU30005DIS24L6	

9.4 Andere zugelassene Filter

Repligen MicroKros-Hohlfaserfilter

Cytiva Minimate™-TFF-Kassette

Cytiva MidGee™-Hohlfaserfilter

Merck Millipore Pellicon® XL 50

10 Sartorius Service

Anfragen zum Produkt beantwortet der Sartorius Service. Für Informationen zu den Service-Adressen, Service-Leistungen und zum Kontakt mit einem örtlichen Vertreter siehe die Sartorius-Internetseite (www.sartorius.com).

Bei Fragen zum System oder Funktionsstörungen an den Sartorius Service wenden. Dazu die Produktinformationen (z. B. Seriennummer, Hardware, Firmware, Konfiguration) bereithalten. Diese Angaben sind auf dem Typenschild des Herstellers zu finden.

11 Informationen zu den Markenzeichen

Minimate™ und MidGee™ sind eingetragene Marken von Cytiva Sweden AB.

Pellicon® ist eine eingetragene Marke von Merck KGaA.

Table des matières

1	À propos de ce manuel	48	6	Nettoyage en place	62
1.1	Validité.....	48	7	Stockage	64
1.2	Documents connexes.....	48	8	Élimination	65
1.3	Groupes cibles	48	8.1	Instructions de décontamination	65
1.4	Typographie.....	49	8.2	Éliminer le produit	65
1.4.1	Avertissements dans la description des opérations.....	49	8.2.1	Remarques concernant l'élimination ..	65
1.4.2	Autres signes typographiques	49	8.2.2	Élimination	65
2	Consignes de sécurité	49	9	Caractéristiques techniques	66
2.1	Utilisation conforme	49	9.1	Dimensions et poids	66
2.2	Qualification du personnel.....	50	9.2	Conditions ambiantes sur le lieu d'installation	66
2.3	Dispositifs de sécurité.....	50	9.3	Filtres Sartorius approuvés.....	67
2.4	Consommables	50	9.4	Autres filtres approuvés.....	68
2.5	Forces magnétiques	51	10	Sartorius Service	68
2.6	Équipement de protection individuelle	51	11	Informations relatives à la marque de commerce	68
2.7	Fuites des filtres.....	51			
2.8	Risque de dégradation de l'étanchéité au gaz	51			
3	Vue d'ensemble du produit	52			
3.1	Jeu de tubes	53			
3.2	Longueur de tube pour les filtres.....	54			
3.3	Raccords sur le module Ambr® Crossflow	54			
3.4	Processus de filtration.....	54			
3.5	Dispositifs de sécurité.....	55			
4	Contenu de la livraison	55			
5	Fonctionnement	56			
5.1	Insérer l'adaptateur	56			
5.2	Filtre plat : raccordement du jeu de tubes au filtre et au bloc d'interface pour tubes	58			
5.3	Filtre à fibres creuses : raccordement du jeu de tubes au filtre et au bloc d'interface pour tubes.....	59			
5.4	Enlever le filtre pour le nettoyage en place	61			

1 À propos de ce manuel

1.1 Validité

Ce manuel fait partie intégrante du produit. Il faut le lire dans son intégralité et le conserver. Ce manuel est valable pour la version suivante du produit :

Produit

Kit adaptateur Ambr® CF

1.2 Documents connexes

- ▶ Consulter les documents suivants en plus de ce manuel :
 - Manuels de l'unité de commande et des produits associés, p. ex. du lecteur de code-barres
 - Manuel du module Ambr® Crossflow UF | DF
 - Manuel du logiciel Ambr® Crossflow
 - Manuels des filtres utilisés :
 - Sartocor® Slice 50
 - Modules Hollow Fiber TFF | Steamer Line
 - Modules Hollow Fiber TFF | Re-use Line
 - Modules Hollow Fiber TFF | Single-use Line
 - etc.

1.3 Groupes cibles

Ce mode d'emploi s'adresse aux groupes cibles suivants. Les groupes cibles doivent avoir les connaissances mentionnées ci-après.

Groupe cible	Connaissances et qualifications
Opérateur	L'opérateur connaît le produit et les processus de travail qui y sont associés. Il connaît les dangers potentiels lors du travail avec le produit et il est en mesure de les éviter.

1.4 Typographie

1.4.1 Avertissements dans la description des opérations

AVERTISSEMENT

Signale un danger qui est susceptible d'entraîner la mort ou des blessures graves s'il n'est pas évité.

AVIS

Signale un danger qui est susceptible de provoquer des dommages matériels s'il n'est pas évité.

1.4.2 Autres signes typographiques

- ▶ Action requise : décrit des activités qui doivent être effectuées. Les activités faisant partie de séquences doivent être effectuées les unes après les autres.
- ▷ Résultat : décrit le résultat des activités qui viennent d'être effectuées.

2 Consignes de sécurité

2.1 Utilisation conforme

Le Kit adaptateur Ambr® CF est destiné à être utilisé dans le module Ambr® Crossflow UF | DF. Le produit permet d'effectuer des filtrations tangentielles « Ultrafiltration » (UF) et « Diafiltration » (DF). Le produit est un accessoire optionnel qui permet d'utiliser d'autres filtres au lieu du filtre standard Ambr® CF.

Pour commander les processus de filtration, il faut uniquement utiliser l'unité de commande et le logiciel Ambr® Crossflow version 19 ou ultérieure. Les processus de filtration peuvent être automatisés à l'aide du logiciel Ambr® Crossflow.

Si les processus utilisés diffèrent des processus prédéfinis dans le logiciel Ambr® Crossflow, p. ex., lors du fonctionnement d'une pompe d'alimentation en sens inverse : une évaluation spécifique des risques doit être effectuée pour les processus de filtration afin d'exclure les dangers qui émanent de processus divergents.

Seuls les filtres compatibles doivent être utilisés avec le produit (voir chapitre « 9.3 Filtres Sartorius approuvés », page 67 | chapitre « 9.4 Autres filtres approuvés », page 68). Les filtres installés dans l'adaptateur sont destinés à un usage unique et doivent être éliminés après utilisation, à l'exception des Modules Hollow Fiber TFF | Re-use Line. Le produit peut être nettoyé à l'aide d'un procédé de nettoyage en place et peut être réutilisé. Cependant, le logiciel ne contient pas de fonctionnalités permettant de nettoyer le filtre après utilisation. Les opérateurs souhaitant réutiliser un filtre doivent créer leur propre protocole de nettoyage et procéder aux évaluations des risques requises.

Bien que la conception de l'adaptateur permette de prendre en charge des filtres de différents fournisseurs, Sartorius ne prend aucun engagement en matière de performance opérationnelle, de longévité et de précision du module Ambr® Crossflow en cas d'utilisation avec des filtres de concurrents. Sartorius recommande d'utiliser des filtres Sartorius pour une compatibilité et une sécurité maximale.

Le produit est exclusivement destiné à être utilisé en conformité avec ce manuel. Toute autre utilisation est considérée comme non conforme.

Si le produit n'est pas utilisé correctement, cela peut nuire à ses mesures de protection et entraîner des dommages corporels ou matériels imprévisibles.

Conditions de fonctionnement du produit

Ne pas utiliser le produit dans des atmosphères présentant des risques d'explosions. Utiliser le produit uniquement dans des bâtiments.

Le produit ne doit être utilisé qu'avec les équipements et dans les conditions de fonctionnement indiquées dans les caractéristiques techniques de ce manuel.

Modifications sur le produit

Toute modification du produit peut entraîner des risques pour les personnes. Les documents spécifiques au produit et les approbations du produit peuvent perdre leur validité.

Contactez Sartorius pour toute question relative à des modifications.

2.2 Qualification du personnel

Les personnes qui ne possèdent pas les connaissances adéquates sur la façon d'utiliser le produit peuvent se blesser et blesser d'autres personnes.

Si une qualification particulière est nécessaire pour des opérations, le groupe cible sera mentionné. Si aucune qualification n'est spécifiée, les opérations peuvent être effectuées par le groupe cible « Opérateur ».

2.3 Dispositifs de sécurité

Les dispositifs de sécurité du produit protègent les personnes qui travaillent avec celui-ci contre les risques qui en émanent. Si les dispositifs de sécurité du produit sont démontés ou modifiés, des personnes risquent d'être grièvement blessées.

- ▶ Ne pas démonter, modifier ni désactiver les dispositifs de sécurité (dispositifs de sécurité, voir chapitre 3.5, page 55).

2.4 Consommables

Des consommables inadaptés peuvent nuire au fonctionnement et à la sécurité du produit et avoir les conséquences suivantes :

- Risque de blessures corporelles
- Dommages sur le produit
- Dysfonctionnements du produit
- Panne totale du produit

- ▶ Utiliser uniquement des consommables et pièces de rechange approuvés par Sartorius pour ce produit.

2.5 Forces magnétiques

Les aimants du bloc d'interface pour tubes sont fixés au support du produit. Les aimants peuvent interférer avec les stimulateurs cardiaques ou d'autres implants médicaux. Les personnes portant un stimulateur cardiaque ou d'autres implants médicaux peuvent être affectées.

- ▶ Les personnes portant un stimulateur cardiaque ou d'autres implants médicaux doivent se tenir à une distance de sécurité d'au moins 0,1 m par rapport au produit.
- ▶ Identifier le danger des forces magnétiques sur le site d'installation.

2.6 Équipement de protection individuelle

L'équipement de protection individuelle protège contre les risques qui émanent du produit. Si l'équipement de protection individuelle est manquant ou inadapté aux processus de travail sur le produit, des personnes peuvent être blessées :

L'équipement de protection individuelle suivant doit impérativement être porté :

- Lunettes de protection
- Gants de protection
- Vêtements de protection

2.7 Fuites des filtres

Défaire les raccords à compression sur le produit peut engendrer une fuite, ce qui pourrait entraîner des blessures telles que des blessures mineures par contact avec des produits chimiques ou des blessures dues à des glissades ou des chutes résultant d'une surface humide ou glissante.

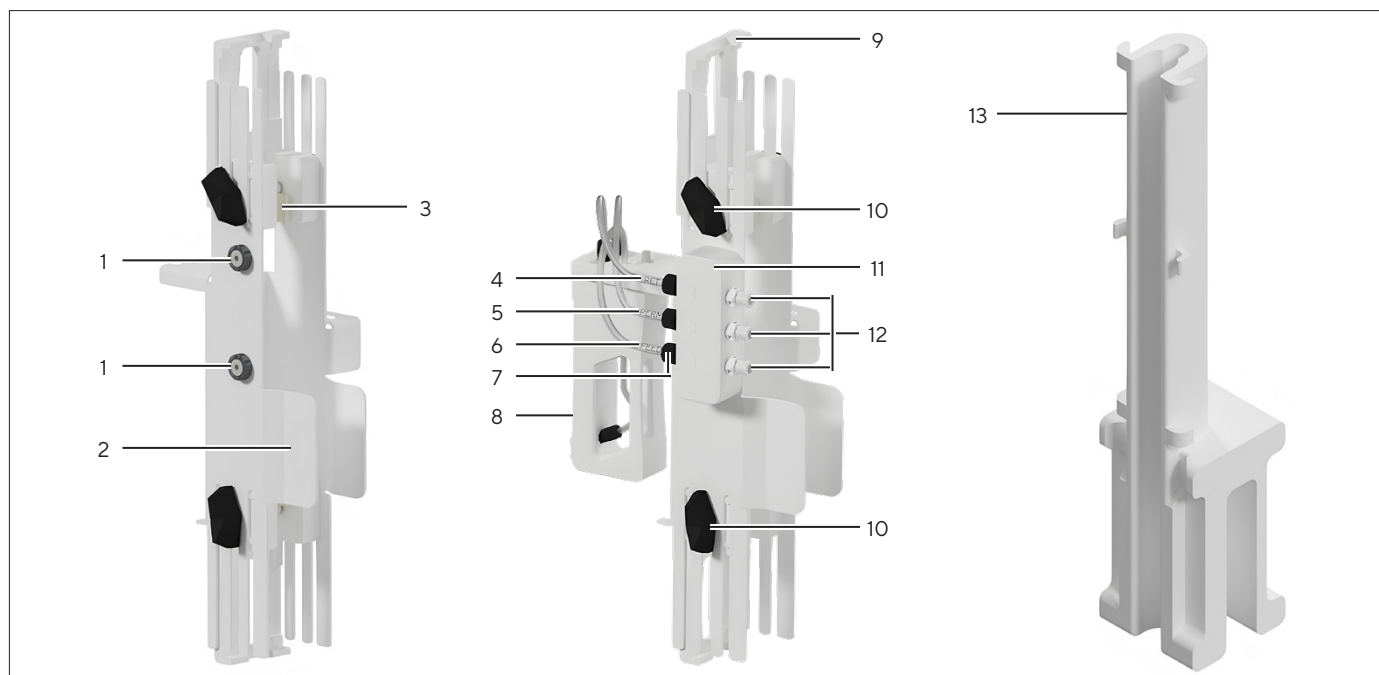
- ▶ Ne pas défaire les raccords de compression.

2.8 Risque de dégradation de l'étanchéité au gaz

Supprimer ou modifier les phases d'étanchéité au gaz standard et d'étanchéité au gaz des filtres du logiciel Ambr® Crossflow peut compromettre la sécurité du système et engendrer des fuites.

- ▶ Ne pas supprimer ou modifier ces phases dans le modèle de recette standard.
- ▶ Les opérateurs qui effectuent ces modifications le font à leurs propres risques.

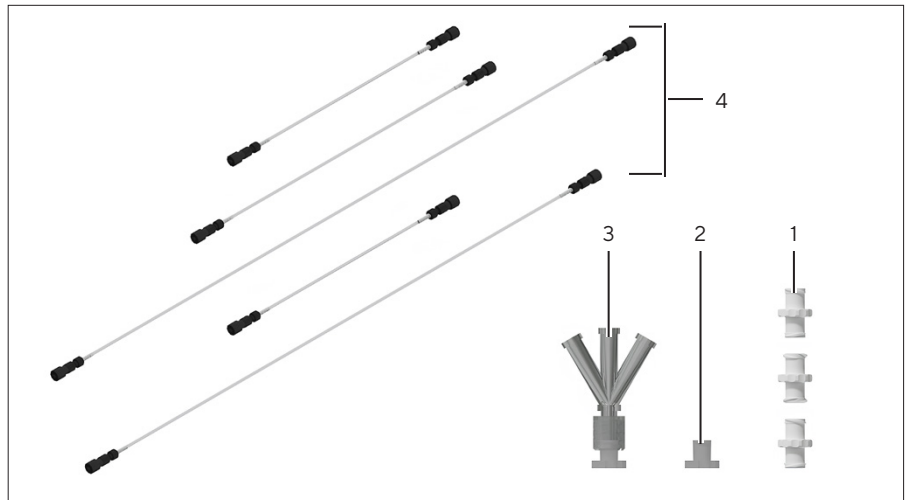
3 Vue d'ensemble du produit



III.1 : Adaptateur sans filtre

Pos.	Désignation	Description
1	Aimants	Permettent d'accrocher le bloc d'interface pour tubes sur le côté du support.
2	Support	S'accroche à l'adaptateur et maintient le filtre en place pendant le processus de filtration.
3	Clips à tube	Fixés aux clamps à filtre, ils permettent aux filtres à fibres creuses d'être clipsés lorsque les clamps à filtre sont positionnés à la verticale.
4	Tube de rétentat	Relie le raccord de rétentat de l'adaptateur au raccord de rétentat du bloc d'interface pour tubes.
5	Tube de perméat	Relie le raccord de perméat de l'adaptateur au raccord de perméat du bloc d'interface pour tubes.
6	Tube d'alimentation	Relie le raccord d'alimentation de l'adaptateur au raccord d'alimentation du bloc d'interface pour tubes.
7	Raccords de compression	Un à chaque extrémité du tube, se fixe autour du tube et se visse dans le raccord correspondant sur l'adaptateur ou sur le bloc d'interface pour tubes.
8	Adaptateur	S'installe à la place du filtre Ambr® CF pour assurer l'interface avec le module Ambr® Crossflow.
9	Clamps à filtre	Fixe le filtre dans le support à l'aide de vis papillon. Les clamps peuvent être positionnés de 2 façons (à l'horizontale ou à la verticale) en fonction du type de filtre. Des clips à tube sont attachés aux clamps à filtre pour clipser les filtres à fibres creuses.
10	Vis papillon	Maintiennent les clamps à filtre en position sur le support.
11	Bloc d'interface pour tubes	Se fixe sur le côté du support à l'aide d'aimants et relie les tubes de l'adaptateur aux tubes du filtre.
12	Raccords Luer Lock	Relient les tubes du filtre aux raccord correspondants sur le bloc d'interface pour tubes.
13	Guide-filtre	Soutient les filtres à fibres creuses plus longs et permet de clipser les tubes sur le côté.

3.1 Jeu de tubes



III.2 : Jeu de tubes de l'adaptateur

Pos.	Désignation	Description
1	Raccord Luer Lock femelle-femelle	Pour certains filtres, il est utilisé pour raccorder le jeu de tubes aux raccords sur les filtres.
2	Bouchon fileté Luer femelle	Utilisé pour obstruer le raccord de perméat non utilisé sur certains filtres.
3	Raccord NEP	Raccord Luer Lock à 4 voies utilisé pour la procédure de nettoyage en place (NEP) après le processus de filtration. Fourni avec un bouchon fileté Luer Lock femelle pour obstruer le 4 ^{ème} orifice.
4	Jeu de tubes	Permet de raccorder le filtre au bloc d'interface pour tubes et est constitué de 5 tubes de différentes longueurs pour s'adapter à diverses tailles de filtre : <ul style="list-style-type: none"> – 1 x tube d'alimentation (commun à tous les filtres) – 2 x tubes de rétentat (un court et un long) – 2 x tubes de perméat (un court et un long)

Les détails concernant le tube à utiliser avec chaque filtre sont fournis dans le chapitre « 3.2 Longueur de tube pour les filtres », page 54.

Chaque tube est étiqueté « FEED », « RET » ou « PERM » pour identifier le raccord correspondant. Chaque extrémité de chaque tube est équipée de raccords à compression et de raccords Luer Lock pour le raccordement au bloc d'interface pour tubes et au filtre.

3.2 Longueur de tube pour les filtres

	Alimentation	Rétentat	Perméat
Sartocon® Slice 50	Commun	Court	Court
Cytiva Minimate™		Court	Court
Merck Millipore Pellicon® XL 50		Court	Court
Modules Hollow Fiber TFF Single-use Line Discover TM 12"		Court	Court
Repligen MicroKros 20 cm		Court	Court
Cytiva MidGee™		Court	Court
Repligen MicroKros 41,5 cm 65 cm		Long	Long
Modules Hollow Fiber TFF Single-use Line Discover TM 24"		Long	Long

3.3 Raccords sur le module Ambr® Crossflow

L'adaptateur se raccorde au module Ambr® Crossflow de la même manière que le filtre standard, en utilisant les 3 raccords d'alimentation, de rétentat et de perméat. Les tubes fournis avec le produit relient ces raccords à leurs équivalents sur le bloc d'interface pour tubes. Le jeu de tubes fourni facilite la liaison des 3 raccords du filtre aux raccords correspondants sur le bloc d'interface pour tubes.

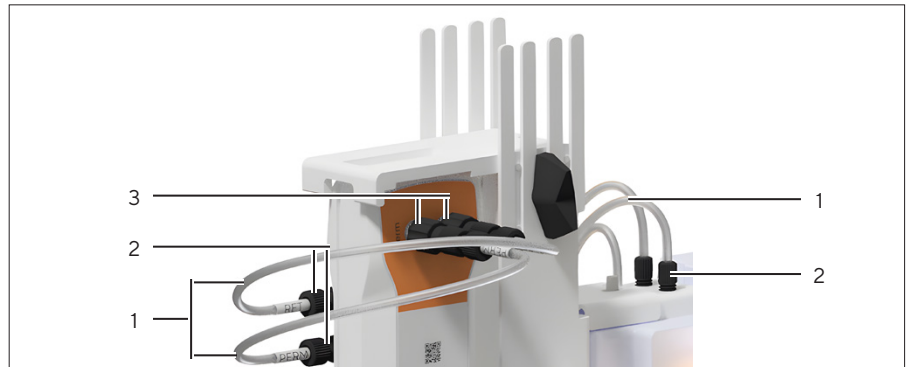
Le support de filtre fixe de manière sûre le filtre à l'adaptateur à l'aide du jeu de tubes fourni. 1 des 2 raccords de perméat sur le filtre reste inutilisé et doit être fermé avec un bouchon Luer Lock. La plupart des filtres sont fournis avec des bouchons Luer Lock sur tous les raccords, et un bouchon Luer Lock de rechange est inclus pour ceux qui n'en ont pas. Il faut s'assurer que le bouchon Luer Lock est bien serré sur le raccord de perméat non utilisé, sinon le test d'étanchéité au gaz du filtre et le processus de filtration qui suit risquent d'échouer.

3.4 Processus de filtration

Le processus de filtration reste inchangé quand le produit est utilisé avec le module Ambr® Crossflow, qu'il s'agisse d'une ultrafiltration ou d'une diafiltration. Au lieu de parvenir directement dans le filtre standard, le fluide s'écoule hors du raccord d'alimentation de l'adaptateur vers le raccord correspondant du bloc d'interface pour tubes, puis vers le filtre. Ensuite, le fluide s'écoule hors du filtre par les raccords de rétentat et | ou de perméat et repasse dans les raccords correspondants du bloc d'interface du tube et, pour finir, dans l'adaptateur et dans le module Ambr® Crossflow.

3.5 Dispositifs de sécurité

Les tubes, les raccords de compression et les raccords Luer Lock qui sont livrés avec le produit ont été développés et testés pour résister à des pressions élevées si bien qu'il s'agit d'un système à sécurité intrinsèque en cas de blocage. Ils ne doivent **pas** être changés ni modifiés de quelque manière que ce soit.



Ill.3 : Adaptateur et support de filtre

Pos.	Désignation
1	Tubes
2	Raccords de compression
3	Raccords Luer Lock

4 Contenu de la livraison

Élément	Quantité
Kit adaptateur Ambr® CF, composé de	1
Adaptateur	4
Support filtre	4
Clamps à filtre (équipé de clips à tube et de vis papillon)	8
Guides-filtres	4
Jeux de tubes (chacun composé de 1 tube d'alimentation, 2 tubes de rétentat et 2 tubes de perméat)	4
Raccords NEP (chacun équipé d'un bouchon fileté Luer Lock femelle)	4
Bouchons filetés Luer Lock femelles de rechange	4
Raccords Luer Lock femelle-femelle	12
Manuel d'installation	1

5 Fonctionnement

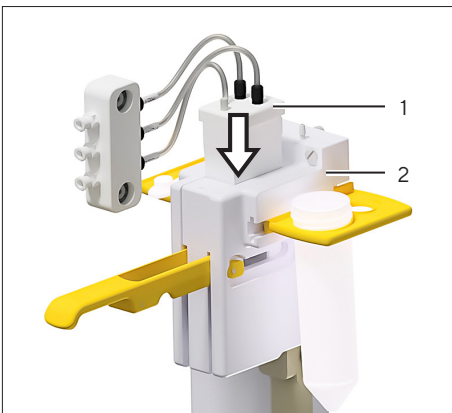
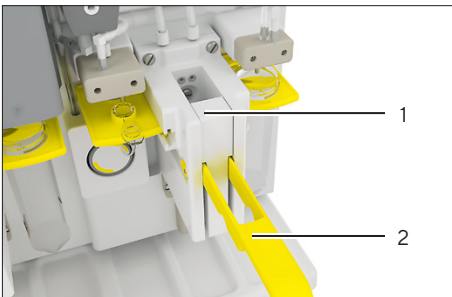
5.1 Insérer l'adaptateur

Exigences

Des messages apparaissent sur l'écran de l'unité de commande pour inviter l'opérateur à installer 1 ou plusieurs adaptateurs.

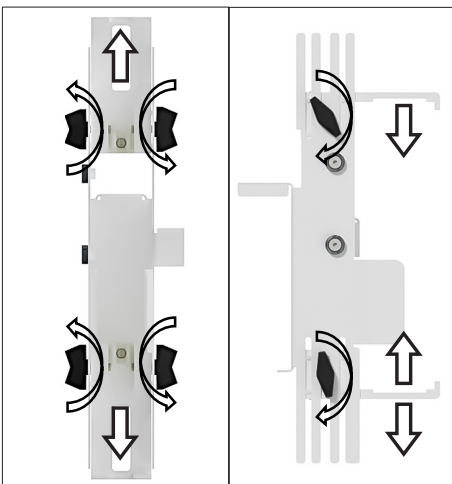
Procédure

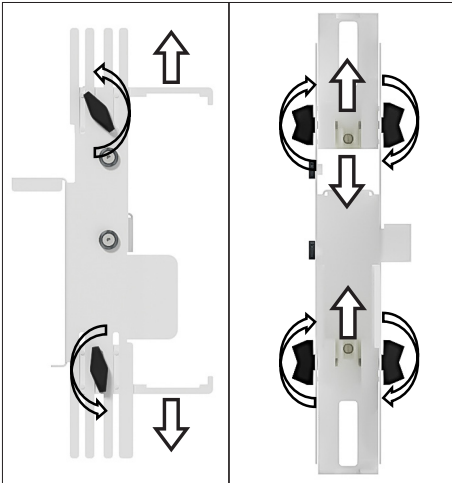
- ▶ **AVIS** Dysfonctionnements du produit en cas d'utilisation de filtres inadaptés ! S'assurer que les filtres sont adaptés à l'appareil (compatibilité, voir chapitre « 9.3 Filtres Sartorius approuvés », page 67 | chapitre « 9.4 Autres filtres approuvés », page 68).
- ▶ Débloquer la pince de fixation du support de filtre en soulevant la poignée (2) et tirer la plaque de pression (1) vers l'avant.



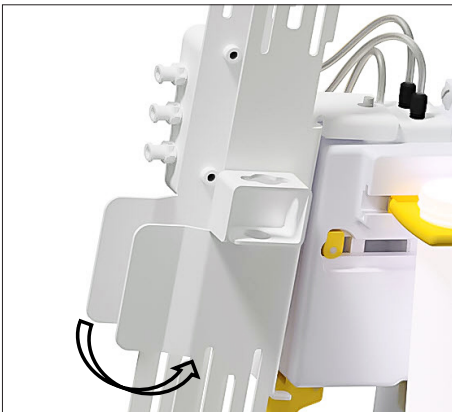
- ▶ Introduire seulement l'adaptateur (1) avec le bloc d'interface pour tubes fixé par le haut dans le support de filtre (2).
- ▶ Les ouvertures dans le support de filtre sont dirigées vers le module Ambr® Crossflow. Les lettres inscrites sur le dessus de l'adaptateur doivent être dans le bon sens quand on les regarde d'en haut.

- ▶ Par défaut, et pour des questions de transport, les clamps à filtre sur le support sont placés à la verticale pour les filtres à fibres creuses.
- ▶ Pour utiliser des filtres plats, dévisser les vis papillon de chaque côté des clamps à filtre sur le dessus et le dessous du support, pour glisser les clamps à filtre hors du support.
- ▶ Tourner les clamps à filtre de 90° et les réinsérer dans le support.
- ▶ Serrer les vis papillon pour bien les fixer.
- ▶ S'assurer que le clamp supérieur se trouve au fond de sa fente.
- ▶ La position du clamp inférieur est ajustée en fonction du filtre utilisé.

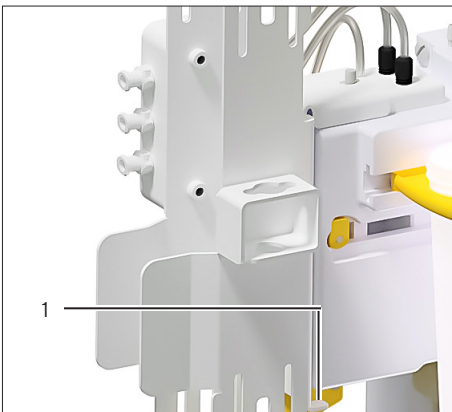




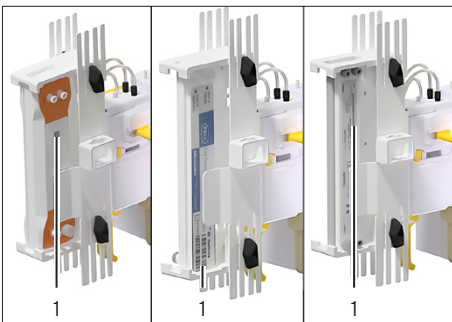
- ▶ Si les clamps à filtre sont positionnés à l'horizontale (pour les filtres plats) et que des filtres à fibres creuses sont utilisés, dévisser les vis papillon de chaque côté des clamps à filtre, sur le dessus et le dessous du support.
- ▶ Tourner les clamps à filtre de 90° et les réinsérer dans le support avant de les serrer pour bien les fixer.
- ▶ S'assurer que le clamp inférieur se trouve en haut de sa fente.
- ▶ La position du clamp supérieur est ajustée en fonction du filtre installé.



- ▶ Une fois que les clamps à filtre sont placés dans la position désirée sur le support, accrocher le support sur l'adaptateur.



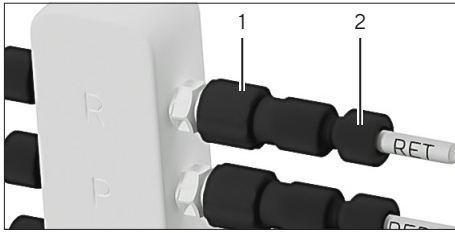
- ▶ En option : incliner légèrement le support pour que les 2 ergots (1) du bas s'insèrent de part et d'autre de la poignée du support de filtre.



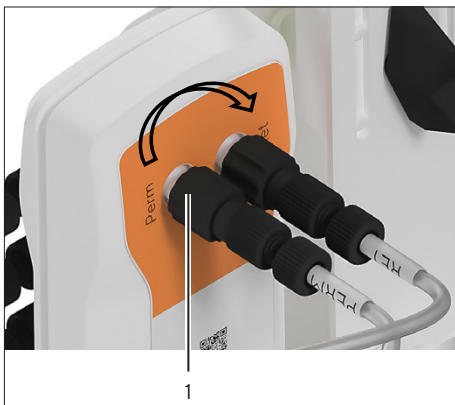
- ▶ Lors de l'utilisation d'un filtre plat, placer le filtre dans le support.
- ▶ Ajuster le clamp inférieur si nécessaire.
- ▶ S'assurer que le code-barres (1) est positionné sur le côté opposé au bloc d'interface pour tubes, pour pouvoir le scanner à l'avenir.

5.2 Filtre plat : raccordement du jeu de tubes au filtre et au bloc d'interface pour tubes

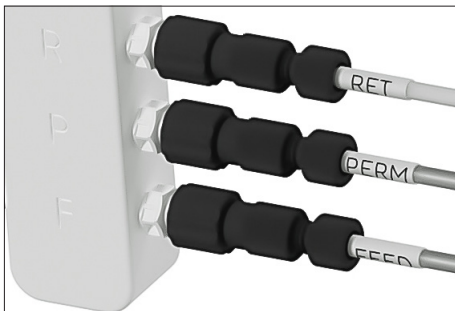
Procédure



- ▶ **AVIS** Fuites dues à des raccords de compression desserrés !
 - ▶ Lors du raccordement | débranchement des tubes sur le produit, veiller à ne manipuler que l'anneau Luer Lock (1) du raccord.
 - ▶ Ne pas tourner les raccords de compression filetés (2).
 - ▶ Si le raccord à compression fileté est accidentellement dévissé, le revisser manuellement et serrer le plus possible.

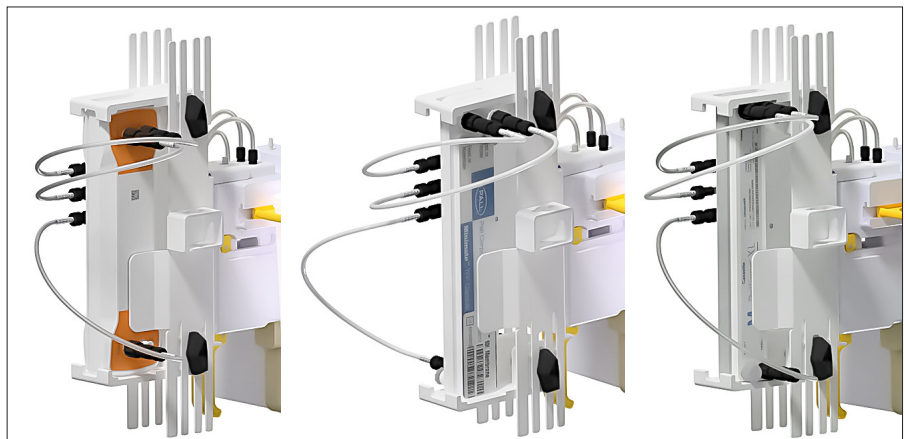


- ▶ Introduire les raccords Luer Lock dans les raccords correspondants du filtre et | ou du bloc d'interface pour tubes :
 - ▶ Visser les anneaux Luer Lock (1) sur les raccords Luer Lock.
 - ▶ Veiller à ce que les raccords Luer Lock soient introduits dans les raccords correspondants sur le filtre et | ou le bloc d'interface pour tubes, et serrer les anneaux Luer Lock.



- ▶ Les tubes sont étiquetés « RET », « PERM » et « FEED ». Veiller à raccorder le bon tube au bon raccord sur le filtre et sur le bloc d'interface pour tubes.
- ▶ Pour certains filtres : utiliser les raccords Luer Lock à Luer Lock femelle si nécessaire.
- ▶ Obturer le raccord de perméat inutilisé sur le filtre (en bas).

- ▶ Pour certains filtres, il peut être plus facile de connecter d'abord une extrémité du jeu de tubes au filtre (sur la pailleuse).
 - ▶ Placer ensuite le filtre dans le support avant de raccorder l'autre extrémité du jeu de tubes au bloc d'interface pour tubes.
- ▶ Clipser le bloc d'interface pour tubes sur le côté du support à l'aide des aimants fournis.
- ▶ L'adaptateur inséré doit ressembler à ça :

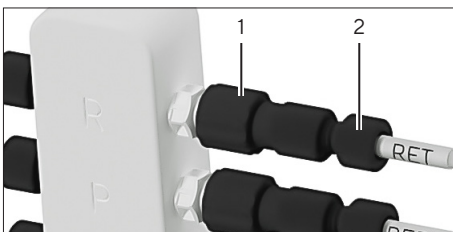


- ▶ Suivre les instructions affichées sur l'écran de l'unité de commande. Pour les filtres dont il n'est pas possible de scanner le code-barres sur le filtre lui-même ou sur l'emballage, une saisie manuelle est prévue dans le logiciel Ambr® Crossflow.

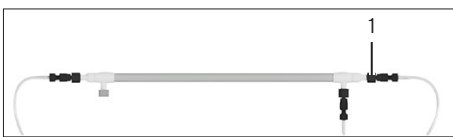
5.3 Filtre à fibres creuses : raccordement du jeu de tubes au filtre et au bloc d'interface pour tubes

Lors de l'utilisation d'un filtre à fibres creuses, il est recommandé de raccorder le jeu de tubes au filtre sur la paillasse avant l'installation du filtre dans le support pour une manipulation plus aisée.

Procédure

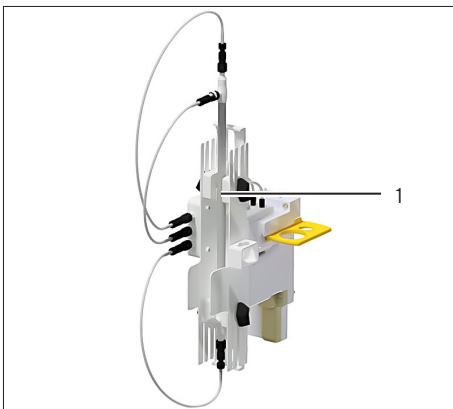


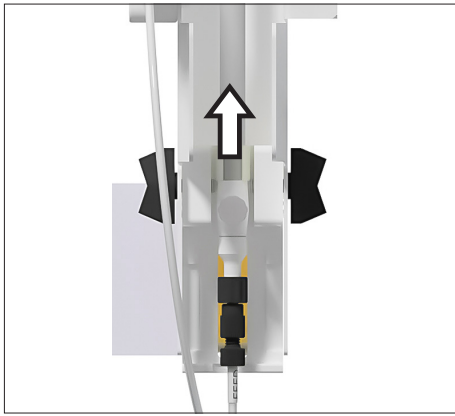
- ▶ **AVIS** Fuites dues à des raccords de compression desserrés !
 - ▶ Lors du raccordement | débranchement des tubes sur le produit, veiller à ne manipuler que l'anneau Luer Lock (1) du raccord.
 - ▶ Ne pas tourner les raccords de compression filetés (2).
 - ▶ Si le raccord à compression fileté est accidentellement dévissé, le revisser manuellement et serrer le plus possible.



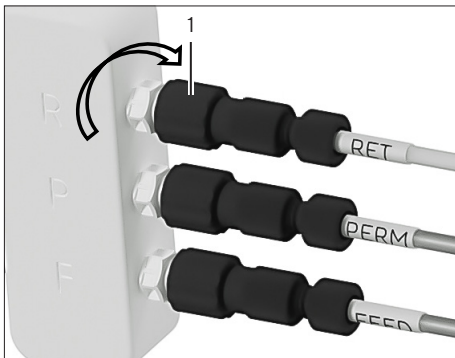
- ▶ Utiliser la bonne longueur de tube de rétentat et de perméat pour le filtre choisi (voir chapitre « 3.2 Longueur de tube pour les filtres », page 54).
- ▶ Introduire les raccords Luer Lock (1) dans les raccords correspondants du filtre.
- ▶ Visser les anneaux Luer Lock sur les raccords Luer Lock.
- ▶ Veiller à ce que les raccords Luer Lock soient introduits dans les raccords correspondants sur le filtre et serrer les anneaux Luer Lock.

- ▶ Les tubes sont étiquetés « FEED », « RET » et « PERM ». Veiller à raccorder le bon tube au bon raccord sur le filtre.
- ▶ Pour certains filtres : utiliser des raccords Luer Lock à Luer Lock femelle si nécessaire.
- ▶ Obturer le raccord de perméat non utilisé sur le filtre (en bas, les bouchons fournis avec le filtre Cytiva en particulier ne sont pas compatibles, et utiliser le bouchon fileté Luer Lock femelle fourni).
- ▶ Clipser le filtre à fibres creuses aux clips à tube (1) présents sur les 2 clamps à filtre.
- ▶ S'assurer que le filtre à fibres creuses est introduit le plus haut possible dans le support pour laisser suffisamment de place pour le tube d'alimentation en bas.





- ▶ Ajuster la hauteur du clamp à filtre supérieur dans la fente pour l'adapter au filtre à fibres creuses.
- ▷ Les clips sur les clamps à filtre peuvent s'adapter aux « larges » diamètres des Modules Hollow Fiber TFF ainsi qu'aux autres « petits » diamètres des filtres à fibres creuses.



- ▶ Raccorder les tubes du filtre à fibres creuses à leurs raccords correspondants sur le bloc d'interface pour tubes.
- ▶ Introduire les raccords Luer Lock dans les raccords correspondants du filtre et | ou du bloc d'interface pour tubes :
 - ▶ Visser les anneaux Luer Lock (1) sur les raccords Luer Lock.
 - ▶ Veiller à ce que les raccords Luer Lock soient introduits dans les raccords correspondants sur le bloc d'interface pour tubes et serrer les anneaux Luer Lock.
 - ▶ Les tubes sont étiquetés « RET », « PERM » et « FEED ». Veiller à raccorder le bon tube au bon raccord sur le bloc d'interface pour tubes.

- ▶ Clipser le bloc d'interface pour tubes sur le côté du support à l'aide des aimants fournis.
- ▶ En cas d'utilisation d'un filtre à fibres creuses avec de longs tubes de rétentat et perméat (voir chapitre « 3.2 Longueur de tube pour les filtres », page 54), installer le guide-filtre sur le clamp supérieur du filtre et insérer les tubes de rétentat et de perméat sur les côtés du guide-filtre.
- ▷ L'adaptateur inséré doit ressembler à ça :



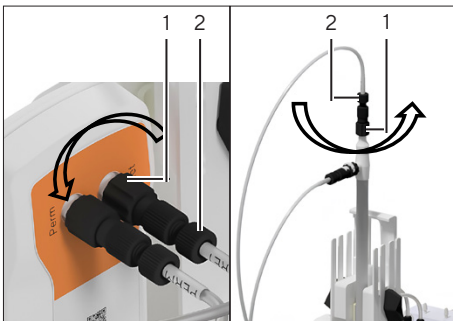
- ▶ Suivre les instructions affichées sur l'écran de l'unité de commande. Pour les filtres dont il n'est pas possible de scanner le code-barres sur le filtre lui-même ou sur l'emballage, une saisie manuelle est prévue dans le logiciel Ambr® Crossflow.

5.4 Enlever le filtre pour le nettoyage en place

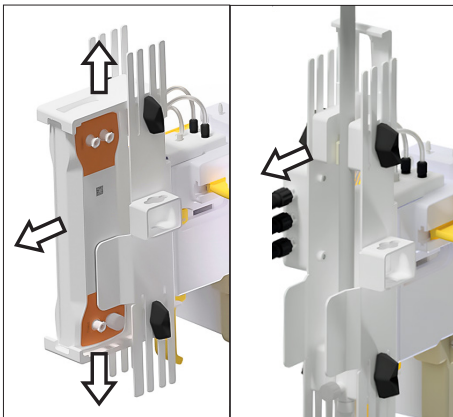
Exigences

Des messages apparaissent sur l'écran de l'unité de commande pour inviter l'opérateur à enlever 1 ou plusieurs filtres du module Ambr® Crossflow UF | DF. Cela doit être effectué avant l'exécution du nettoyage en place (NEP) avec le raccord NEP livré.

Procédure



- ▶ **AVIS** Fuites dues à des raccords de compression desserrés !
 - ▶ Lors du raccordement | débranchement des tubes sur le produit, veiller à ne manipuler que l'anneau Luer Lock (1) du raccord.
 - ▶ Ne pas tourner les raccords de compression filetés (2).
 - ▶ Si le raccord à compression fileté est accidentellement dévissé, le revisser manuellement et serrer le plus possible.
- ▶ Dévisser les anneaux Luer Lock (1) sur les raccords Luer Lock.
- ▶ Tourner et tirer les cônes Luer Lock pour les détacher du filtre, en assurant un bon maintien du raccord Luer Lock.
- ▶ Ne pas débrancher les tubes du bloc d'interface pour tubes.



- ▶ Une fois que les 3 raccords sont détachés, déclipser le filtre à fibres creuses des clips à tube ou, en cas d'utilisation d'un filtre plat, dévisser assez les vis papillon pour desserrer les clamps à filtre et retirer le filtre.

- ▶ Enlever le filtre et l'éliminer de manière conforme.

6 Nettoyage en place

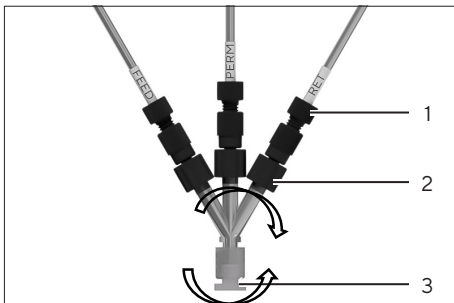
Après un processus de filtration avec l'adaptateur, il faut effectuer un NEP (nettoyage en place) afin d'enlever les résidus de liquide provenant du processus de filtration qui se trouvent sur les composants qui transportent du liquide. Le raccord NEP est livré avec l'adaptateur.

Exigences

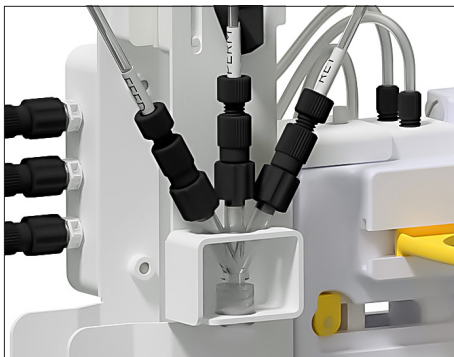
- Le filtre a été enlevé et éliminé (voir chapitre 5.4, page 61).
- Un message apparaît sur l'écran de l'unité de commande pour inviter l'opérateur à installer le raccord NEP sur le module Ambr[®] Crossflow UF | DF.

Procédure

- ▶ Raccorder les tubes du bloc d'interface pour tubes au raccord NEP fourni. Pour ce faire :

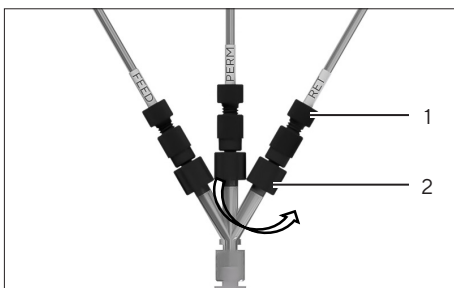


- ▶ Introduire les raccords Luer Lock dans les ports femelles Luer du raccord NEP (contrairement au filtre, l'ordre dans lequel les 3 tuyaux sont connectés n'est pas important). Visser les anneaux Luer Lock (2) des raccords Luer Lock dans le raccord NEP.
- ▶ Veiller à tenir fermement les anneaux Luer Lock (2) et non les raccords à compression (1).
- ▶ Veiller à ce que les raccords Luer Lock soient introduits dans les ports correspondants, et serrer les anneaux Luer Lock.
- ▶ Serrer fermement le bouchon Luer Lock femelle (3) sur le raccord.

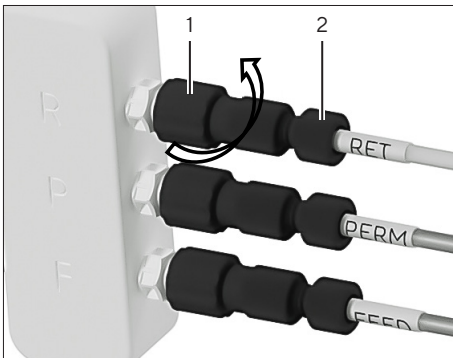


- ▶ Placer le raccord NEP à l'emplacement prévu sur le côté de l'adaptateur.

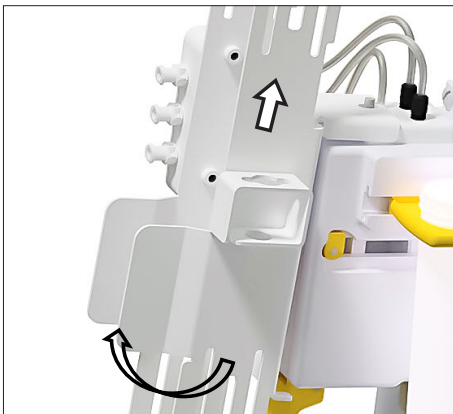
- ▶ Suivre les invites affichées sur l'écran de l'unité de commande afin d'effectuer la procédure NEP.



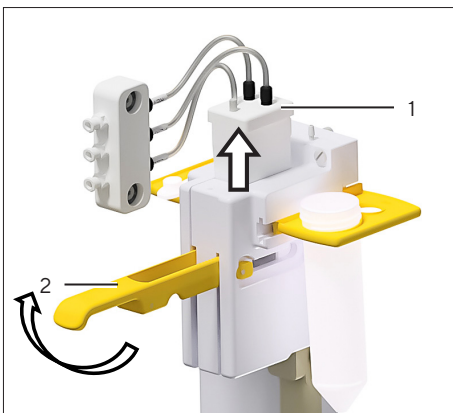
- ▶ Quand la procédure NEP est terminée :
 - ▶ Dévisser les anneaux Luer Lock des raccords Luer Lock (2) du raccord NEP, puis tourner et tirer les raccords pour les détacher du raccord NEP. Ce faisant, veiller à tenir les raccords Luer Lock et non les raccords de compression (1).
 - ▶ Une fois que les 3 raccords Luer Lock sont détachés, enlever le raccord NEP pour une utilisation ultérieure.
 - ▶ En cas d'utilisation d'un guide-filtre, détacher les tubes de rétentat et de perméat des côtés du guide-filtre.



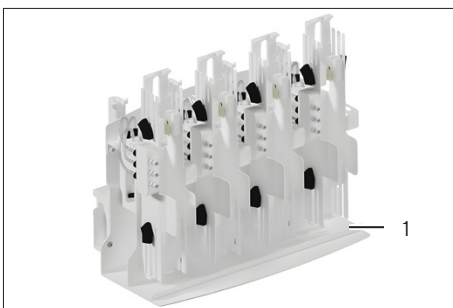
- ▶ Dévisser les anneaux Luer Lock des raccords Luer Lock (1) du bloc d'interface pour tubes, puis tourner et tirer les raccords pour les détacher du bloc d'interface pour tubes.
- ▶ Ce faisant, veiller à tenir les raccords Luer Lock et non les raccords de compression (2).



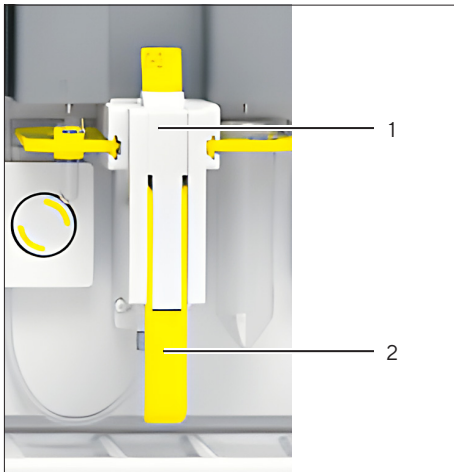
- ▶ Une fois que les 3 raccords Luer Lock sont détachés, enlever le jeu de tubes et le stocker pour une utilisation ultérieure.
- ▶ En cas d'utilisation d'un guide-filtre, le retirer du clamp à filtre supérieur.
- ▶ Détacher le bloc d'interface pour tubes du support et décrocher le support de l'adaptateur.
- ▶ En option : incliner légèrement le support pour que les 2 ergots du bas se dégagent des côtés de la poignée du support de filtre.



- ▶ Tirer la poignée (2) vers l'avant.
- ▶ Enlever l'adaptateur (1) du support de filtre Ambr® Crossflow.



- ▶ Entre les différents processus de filtration, conserver l'adaptateur, le support et le guide-filtre dans le support (1).



- ▶ Pousser la plaque de pression (1) entièrement vers l'arrière pour fermer le support de filtre.
- ▶ Pousser la poignée (2) pour la remettre dans sa position initiale. La pince de fixation se ferme d'elle-même et ne nécessite que peu de force pour se refermer.
- ▶ Suivre les instructions affichées sur l'écran de l'unité de commande.

7 Stockage

Exigences

Le filtre a été enlevé et la procédure NEP a été effectuée (voir chapitre 6, page 62).

Procédure

- ▶ Débrancher et conserver le bouchon fileté Luer Lock femelle, les raccords Luer Lock à Luer Lock femelle, le raccord NEP et le jeu de tubes.
- ▶ S'assurer que le liquide restant dans les tubes et raccords soit correctement vidangé.
- ▶ Conserver l'adaptateur, le support et le guide-filtre en respectant les conditions ambiantes prescrites (voir chapitre « 9.2 Conditions ambiantes sur le lieu d'installation », page 66).

8 Élimination

8.1 Instructions de décontamination

Le produit ne contient pas de matières dangereuses dont l'élimination exige des mesures spéciales.

Les cultures et les fluides (p. ex. acides, solutions alcalines) utilisées pendant les processus sont des matières potentiellement dangereuses qui peuvent provoquer des risques biologiques ou chimiques.

Si le produit a été en contact avec des matières dangereuses, il est obligatoire de prendre des mesures afin d'effectuer la décontamination et d'établir la déclaration de manière appropriée. Il incombe à l'exploitant du produit de faire respecter les réglementations en vigueur dans le pays relatives à la déclaration appropriée pour le transport et l'élimination et relatives à l'élimination adéquate de l'appareil.

AVERTISSEMENT

Risque de blessures dues à des appareils contaminés !

Les produits contaminés par des matières dangereuses (contamination NBC) **ne sont pas** repris par la société Sartorius pour être réparés ou éliminés.

8.2 Éliminer le produit

8.2.1 Remarques concernant l'élimination

Le produit et ses accessoires doivent être éliminés de manière appropriée par des entreprises spécialisées.

Les consommables sont destinés à un usage unique (à l'exception des Modules Hollow Fiber TFF | Re-use Line).

8.2.2 Élimination

Exigences

Le produit a été décontaminé.

Procédure

- ▶ Éliminer le produit. Pour cela, consulter les consignes d'élimination disponibles sur notre site Internet (www.sartorius.com).
- ▶ Éliminer l'emballage conformément aux réglementations en vigueur dans le pays.
- ▶ Éliminer les consommables conformément aux réglementations en vigueur dans le pays.

9 Caractéristiques techniques

9.1 Dimensions et poids

	Unité	Valeur
Dimensions (largeur x profondeur x hauteur), adaptateur unique avec filtre plat	mm	76 x 149 x 261
Dimensions (largeur x profondeur x hauteur), adaptateur unique avec filtre à fibres creuses court	mm	76 x 127 x 307
Dimensions (largeur x profondeur x hauteur), adaptateur unique avec filtre à fibres creuses long	mm	76 x 127 x 452
Dimensions (largeur x profondeur x hauteur), support avec adaptateurs	mm	342 x 182 x 301
Poids, total (4 adaptateurs, emballage inclus)	kg	5,5

9.2 Conditions ambiantes sur le lieu d'installation

	Unité	Valeur
Salles de laboratoire habituelles, au max. 2000 m au-dessus du niveau de la mer		
Température		
Température pendant le fonctionnement	°C	+6 - +40
Variations de température pendant les processus de filtration, maximum	°C	± 5
Variations de température pendant les processus de filtration, maximum	°C / heure	± 5
Humidité relative		
Humidité relative de l'air pendant le fonctionnement, maximum	%	60
Variations de l'humidité relative de l'air pendant les processus de filtration, maximum	%	± 10
Variations de l'humidité relative de l'air pendant les processus de filtration, maximum	% / heure	± 10
Classe de protection selon EN 60529		IP2X

9.3 Filtres Sartorius approuvés

	Référence Code produit
Sartocon® Slice 50	3D91441950ELLPU
	3D91441950MLLPU
	3D91442950ELLPU
	3D91442950MLLPU
	3D91443950ELLPU
	3D91443950MLLPU
	3D91445950ELLPU
	3D91445950MLLPU
	3D91447950ELLPU
	3D91447950MLLPU
	3D91460950ELLPU
	3D91460950MLLPU
	3D91462950ELLPU
	3D91462950MLLPU
	3D91463450ELLPU
	3D91463450MLLPU
	3D91463950ELLPU
	3D91463950MLLPU
	3D91465050ELLPU
	3D91465050MLLPU
	3D91465950ELLPU
	3D91465950MLLPU
	3D91466850ELLPU
	3D91466850MLLPU
	3D91467950ELLPU
	3D91467950MLLPU
	Modules Hollow Fiber TFF Single-use Line
SU00505DIS12L6	
SU01005DIS12L6	
SU03005DIS12L6	
SU05005DIS12L6	
SU10005DIS12L6	
SU30005DIS12L6	
SU00305DIS24L6	
SU00505DIS24L6	
SU01005DIS24L6	
SU03005DIS24L6	
SU05005DIS24L6	
SU10005DIS24L6	
SU30005DIS24L6	

	Référence Code produit
Modules Hollow Fiber TFF Re-use Line	WA00305DIS12L6
	WA00505DIS12L6
	WA01005DIS12L6
	WA03005DIS12L6
	WA05005DIS12L6
	WA10005DIS12L6
	WA30005DIS12L6
	WA00305DIS24L6
	WA00505DIS24L6
	WA01005DIS24L6
	WA03005DIS24L6
	WA05005DIS24L6
	WA10005DIS24L6
	WA30005DIS24L6
Hollow Fiber TFF Steamer Line	AU03005DIS12L6
	AU05005DIS12L6
	AU10005DIS12L6
	AU30005DIS12L6
	AU03005DIS24L6
	AU05005DIS24L6
	AU10005DIS24L6
	AU30005DIS24L6

9.4 Autres filtres approuvés

Repligen MicroKros Hollow Fiber Filters

Cytiva Minimate™ TFF Capsule

Cytiva MidGee™ Hollow Fiber Filters

Merck Millipore Pellicon® XL 50

10 Sartorius Service

Le Sartorius Service est disponible pour toute question concernant le produit. Vous trouverez les adresses des centres de service après-vente, des informations sur les prestations du service après-vente et les différents contacts locaux sur le site Internet de Sartorius (www.sartorius.com).

En cas de questions sur le système ou de dysfonctionnements, veiller à disposer des informations du produit, p. ex. numéro de série, matériel, firmware, configuration, lors de la prise de contact avec le Sartorius Service. Ces informations sont indiquées sur la plaque signalétique.

11 Informations relatives à la marque de commerce

Minimate™ et MidGee™ sont des marques déposées de Cytiva Sweden AB.

Pellicon® est une marque déposée de Merck KGaA.

Índice

1 Información sobre estas instrucciones	70	6 Limpieza in situ	85
1.1 Validez	70	7 Almacenamiento	87
1.2 Documentos relacionados	70	8 Desechado	88
1.3 Grupos objetivo.....	70	8.1 Información sobre descontaminación.....	88
1.4 Símbolos utilizados.....	71	8.2 Eliminación del producto	88
1.4.1 Advertencias en las instrucciones de manejo	71	8.2.1 Información sobre la eliminación	88
1.4.2 Otros símbolos.....	71	8.2.2 Desechado	88
2 Instrucciones de seguridad	71	9 Datos técnicos	89
2.1 Uso previsto.....	71	9.1 Dimensiones y peso.....	89
2.2 Cualificaciones del personal	72	9.2 Condiciones ambientales en el lugar de instalación	89
2.3 Equipo de seguridad.....	72	9.3 Filtros de Sartorius aprobados	90
2.4 Consumibles	72	9.4 Otros filtros aprobados.....	91
2.5 Fuerzas magnéticas.....	73	10 Sartorius Service	91
2.6 Equipo de protección individual	73	11 Información de marcas comerciales	91
2.7 Fugas en los filtros	73		
2.8 Afectación potencial de la estanqueidad al gas.....	73		
3 Vista general del producto	74		
3.1 Conjunto de mangueras	75		
3.2 Longitud de manguera para filtros	76		
3.3 Conexiones con el módulo de flujo cruzado Ambr®	76		
3.4 El proceso de filtración.....	76		
3.5 Equipo de seguridad.....	77		
4 Resumen de suministros	77		
5 Funcionamiento	78		
5.1 Inserción del adaptador.....	78		
5.2 Filtro laminar plano: conectar el conjunto de mangueras al filtro y al bloque de interfaces de manguera.....	80		
5.3 Filtro de fibras huecas: conectar el conjunto de mangueras al filtro y al bloque de interfaces de manguera.....	81		
5.4 Extracción del filtro para la limpieza in situ....	84		

1 Información sobre estas instrucciones

1.1 Validez

Estas instrucciones forman parte del producto; se deben leer en su totalidad y guardarse. Estas instrucciones hacen referencia a la siguiente versión del producto:

Producto
Kit de adaptadores Ambr® CF

1.2 Documentos relacionados

- ▶ Además de estas instrucciones, se deben observar los siguientes documentos:
 - Instrucciones de la unidad de control y los productos asociados, por ejemplo, escáner de códigos de barras
 - Instrucciones del módulo UF | DF del sistema de flujo cruzado Ambr®
 - Instrucciones del software del sistema de flujo cruzado Ambr®
 - Instrucciones de los filtros usados:
 - Sartocon® Slice 50
 - Módulos Hollow Fiber TFF | Steamer Line
 - Módulos Hollow Fiber TFF | Re-use Line
 - Módulos Hollow Fiber TFF | Single-use Line
 - etc.

1.3 Grupos objetivo

Estas instrucciones se dirigen a los siguientes grupos objetivo. Los grupos objetivo deben poseer los conocimientos que se especifican a continuación.

Grupo objetivo	Conocimiento y cualificaciones
Operador	El operador está familiarizado con el producto y los procesos de trabajo relacionados. El operador comprende los peligros que pueden surgir al trabajar con el producto y sabe cómo evitarlos.

1.4 Símbolos utilizados

1.4.1 Advertencias en las instrucciones de manejo

ADVERTENCIA

Indica un peligro con riesgo de muerte o lesión grave si no se evita.

AVISO

Indica un peligro que puede producir daños materiales si no se evita.

1.4.2 Otros símbolos

- ▶ Acción requerida: indica actividades que deben llevarse a cabo. Esta serie de actividades deben llevarse a cabo sucesivamente.
- ▷ Resultado: describe el resultado de llevar a cabo una serie de actividades.

2 Instrucciones de seguridad

2.1 Uso previsto

El kit de adaptadores Ambr[®] CF se ha diseñado para su uso en el módulo UF | DF del sistema de flujo cruzado Ambr[®]. El producto es apto para las filtraciones de flujo cruzado “ultrafiltración” (UF) y “diafiltración” (DF). El producto es un accesorio opcional que permite el uso de otros filtros en lugar del filtro Ambr[®] CF estándar.

Para controlar los procesos de filtración, solo pueden utilizarse la unidad de control y el software del sistema de flujo cruzado Ambr[®], versión 19 o posterior. Los procesos de filtración se pueden automatizar con el software del sistema de flujo cruzado Ambr[®].

Si los procesos utilizados difieren de los procesos predefinidos en el software del sistema de flujo cruzado Ambr[®], por ejemplo al manejar una bomba de alimentación en funcionamiento inverso, se debe realizar una evaluación de riesgos específicos para los procesos de filtración a fin de excluir peligros en los procesos diferentes.

En el producto únicamente se pueden usar filtros compatibles (véase capítulo “9.3 Filtros de Sartorius aprobados”, página 90 | capítulo “9.4 Otros filtros aprobados”, página 91). Los filtros del adaptador se han diseñado para un solo uso y se deben desechar después del uso, a excepción de los módulos Hollow Fiber TFF | Re-use Line. El propio producto se puede limpiar in situ y reutilizarse. No obstante, el propio software no incluye ninguna función para la limpieza del filtro después del uso. Si los operadores desean reutilizar un filtro, deben crear su propio protocolo de limpieza y realizar las evaluaciones de riesgos necesarias.

Aunque el diseño del adaptador puede acomodar filtros de diferentes proveedores, Sartorius no ofrece ninguna garantía en cuanto al rendimiento operativo, la longevidad y la precisión del sistema de flujo cruzado Ambr® cuando se utiliza con filtros de la competencia. Sartorius recomienda utilizar filtros de Sartorius para garantizar la máxima compatibilidad y seguridad.

El producto está previsto para usarse exclusivamente como se indica en estas instrucciones. Cualquier otro uso se considera inadecuado.

Si el producto no se utiliza de la forma adecuada, los sistemas protectores del producto pueden verse afectados. Esto podría ocasionar lesiones personales o daños a la propiedad imprevisibles.

Condiciones de funcionamiento del producto

No utilice el producto en zonas potencialmente explosivas. El producto solo se puede usar en interiores.

El producto solo puede usarse con el equipo y en las condiciones de funcionamiento que se describen en el apartado Datos técnicos de estas instrucciones.

Modificaciones del producto

Si se modifica el producto, puede suponer un riesgo para las personas. Los documentos y homologaciones específicos del producto podrían perder su validez.

Póngase en contacto con Sartorius si tiene alguna pregunta relativa a las modificaciones.

2.2 Cualificaciones del personal

Las personas que no poseen los conocimientos adecuados sobre cómo utilizar el producto podrían hacerse daño a sí mismas y a terceras personas.

Si se requiere una cualificación particular para una actividad, se especificará el grupo objetivo. Si no se especifica ninguna cualificación, la actividad podrá ser realizada por el grupo objetivo "operador".

2.3 Equipo de seguridad

El equipo de seguridad del producto protege a las personas que trabajan con el producto de los peligros y daños que pueda ocasionar. Si se suelta o modifica el equipo de seguridad del producto, pueden producirse lesiones personales.

- ▶ No desmonte, modifique ni desactive el equipo de seguridad (acerca del equipo de seguridad, véase capítulo 3.5, página 77).

2.4 Consumibles

El uso de consumibles no adecuados puede afectar a la funcionalidad y la seguridad del producto y tener las consecuencias siguientes:

- peligro de lesiones para las personas
 - daños en el producto
 - fallos de funcionamiento del producto
 - avería del producto
- ▶ Solo se pueden utilizar consumibles y piezas de repuesto que hayan sido aprobadas por Sartorius para este producto.

2.5 Fuerzas magnéticas

Los imanes para el bloque de interfaces de manguera están unidos al soporte del producto. Los imanes pueden interferir en marcapasos u otros dispositivos médicos. Las personas que utilicen marcapasos u otros dispositivos médicos pueden verse afectadas.

- ▶ Las personas con marcapasos u otros dispositivos médicos deben mantener una distancia de seguridad de al menos 0,1 m del producto.
- ▶ Indique el peligro de fuerzas magnéticas en el lugar de instalación del dispositivo.

2.6 Equipo de protección individual

El equipo de protección individual protege de los peligros que se puedan derivar del producto. Si no hay equipo de protección individual o es inadecuado para los procesos de trabajo en el producto, se pueden producir lesiones personales.

Se debe llevar el siguiente equipo de protección individual:

- Gafas de seguridad
- Guantes de seguridad
- Ropa de seguridad

2.7 Fugas en los filtros

Si se aflojan los accesorios de compresión del producto se pueden producir fugas que podrían provocar lesiones, como lesiones leves por contacto con productos químicos o lesiones al caerse o resbalarse por una superficie mojada o resbaladiza.

- ▶ Nunca se deben aflojar los accesorios de compresión.

2.8 Afectación potencial de la estanqueidad al gas

Eliminar o modificar las fases de estanqueidad al gas estándar y estanqueidad al gas del filtro del software del sistema de flujo cruzado Ambr® puede afectar a la seguridad del sistema y provocar fugas.

- ▶ No elimine ni modifique estas fases en la plantilla de recetas estándar.
- ▶ Los operadores que realicen estas modificaciones lo harán bajo su propio riesgo.

3 Vista general del producto

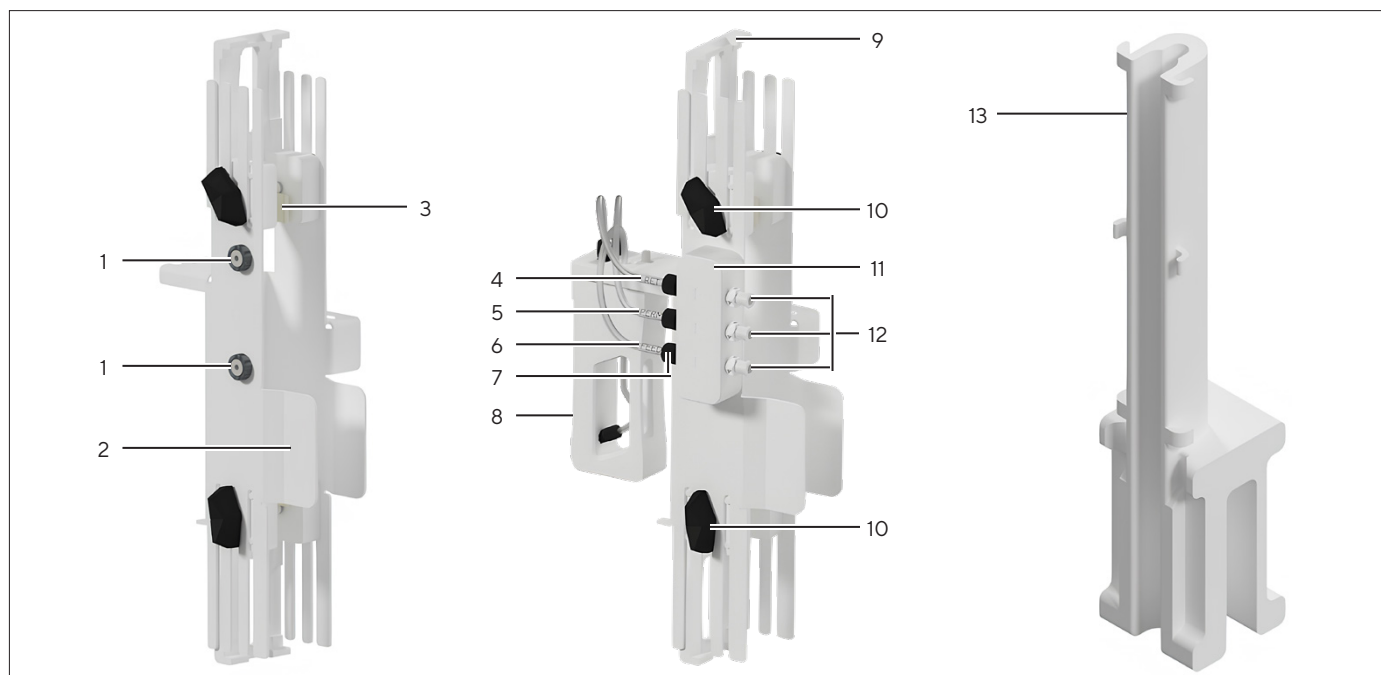


Fig. 4: Adaptador sin filtro

Pos.	Denominación	Descripción
1	Imanes	Permiten que el bloque de interfaces de manguera se fije en el lateral del soporte.
2	Soporte	Se engancha en el adaptador y mantiene el filtro en posición durante el proceso de filtración.
3	Clips de manguera	Se unen a las pinzas del filtro y permiten fijar en posición los filtros de fibra hueca cuando las pinzas del filtro están orientadas en vertical.
4	Manguera de retenido	Conecta el puerto de retenido del adaptador con el puerto de retenido del bloque de interfaces de manguera.
5	Manguera de permeado	Conecta el puerto de permeado del adaptador con el puerto de permeado del bloque de interfaces de manguera.
6	Manguera de alimentación	Conecta el puerto de alimentación del adaptador con el puerto de alimentación del bloque de interfaces de manguera.
7	Accesorios de compresión	Uno en cada extremo de cada longitud de manguera, se sujeta alrededor de la manguera y se atornilla en el puerto correspondiente del adaptador o del bloque de interfaces de manguera.
8	Adaptador	Se carga en lugar del filtro Ambr® CF estándar para contactar con el módulo de flujo cruzado Ambr®.
9	Pinzas de filtro	Aseguran el filtro en el soporte mediante los tornillos de apriete manual. Las pinzas ofrecen 2 orientaciones (horizontal o vertical) en base al tipo de filtro. Las pinzas de la manguera se unen a las pinzas del filtro para fijar los filtros de fibra hueca en posición.
10	Tornillo de apriete manual	Fija las pinzas del filtro en posición en el soporte.
11	Bloque de interfaces de manguera	Se une al lateral del soporte con imanes y conecta la manguera desde el adaptador a la manguera del filtro.
12	Conectores Luer	Conectan las mangueras del filtro con el puerto correspondiente del bloque de interfaces de manguera.
13	Guía del filtro	Sujeta los filtros de fibra hueca largos y permite fijar la manguera al lateral.

3.1 Conjunto de mangueras

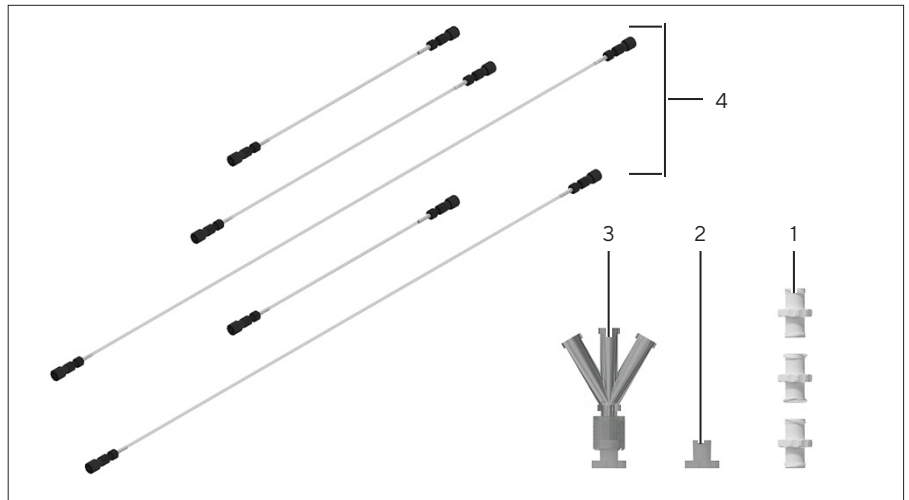


Fig. 5: Conjunto de mangueras adaptadoras

Pos.	Denominación	Descripción
1	Conector Luer hembra a bloqueo Luer	Se usa para conectar el conjunto de mangueras a los puertos de los filtros para algunos filtros.
2	Tapa roscada Luer hembra	Usada para bloquear el puerto de permeado no utilizado en algunos filtros.
3	Accesorio CIP	Accesorio Luer de 4 vías para la limpieza in situ (CIP) tras el proceso de filtración. Se suministra con una tapa roscada Luer hembra para bloquear el 4.º puerto.
4	Conjunto de mangueras	<p>Permite la conexión del filtro al bloque de interfaces de manguera y consta de 5 longitudes diferentes de manguera para acomodar varios tamaños de filtro:</p> <ul style="list-style-type: none"> – 1 manguera de alimentación (común para todos los filtros) – 2 mangueras de retenido (una corta y una larga) – 2 mangueras de permeado (una corta y una larga) <p>Se proporcionan detalles de qué manguera usar con cada filtro en el capítulo “3.2 Longitud de manguera para filtros”, página 76.</p> <p>Cada manguera está etiquetada como “FEED”, “RET” o “PERM” para identificar el puerto correspondiente. Cada extremo de cada manguera está equipado con accesorios Luer y de compresión para la conexión al bloque de interfaces de manguera y al filtro.</p>

3.2 Longitud de manguera para filtros

	Alimentación	Retenido	Permeado
Sartocon® Slice 50	Frecuente	Corto	Corto
Cytiva Minimate™		Corto	Corto
Merck Millipore Pellicon® XL 50		Corto	Corto
Módulos Hollow Fiber TFF Single-use Line Discover TM 12"		Corto	Corto
Repligen MicroKros 20 cm		Corto	Corto
Cytiva MidGee™		Corto	Corto
Repligen MicroKros 41,5 cm 65 cm		Largo	Largo
Módulos Hollow Fiber TFF Single-use Line Discover TM 24"		Largo	Largo

3.3 Conexiones con el módulo de flujo cruzado Ambr®

El adaptador se conecta al módulo de flujo cruzado Ambr® de la misma forma que el filtro estándar, usando 3 puertos para alimentación, permeado y retenido. Las mangueras incluidas con el producto conectan estos puertos con sus equivalentes en el bloque de interfaces de manguera. El conjunto de mangueras proporcionadas facilita la conexión de los 3 puertos del filtro a los puertos correspondientes en el bloque de interfaces de manguera.

El portafiltros une de forma segura el filtro al adaptador usando el conjunto de mangueras incluido. 1 de los 2 puertos de permeado del filtro se queda sin usar y se debe sellar con una tapa Luer. La mayoría de los filtros cuentan con tapas Luer en todos los puertos y se incluye una tapa Luer de repuesto para los que no tengan una. Se debe asegurar que la tapa Luer esté ajustada en el puerto de permeado que no se use o el filtro puede no superar la prueba de hermeticidad de gas del filtro y el subsiguiente proceso de filtración.

3.4 El proceso de filtración

El proceso de filtración no varía cuando se usa el producto con el módulo de flujo cruzado Ambr®, ya sea en caso de ultrafiltración o diafiltración. En lugar de ir directo al filtro estándar, el fluido fluye desde el puerto de alimentación del adaptador al puerto correspondiente del bloque de interfaces de manguera y después al filtro. A continuación, el fluido sale del filtro a través de los puertos de retenido y/o permeado, y vuelve a los puertos correspondientes del bloque de interfaces de manguera y finalmente al adaptador y al módulo de flujo cruzado Ambr®.

3.5 Equipo de seguridad

Las mangueras, los accesorios de compresión y los accesorios Luer suministrados con el producto se han diseñado y probado para soportar altas presiones, de modo que el sistema sea intrínsecamente seguro en caso de bloqueo. **No** se deben alterar o manipular de ninguna forma.



Fig. 6: Adaptador y portafiltros

Pos.	Denominación
1	Mangueras
2	Accesorios de compresión
3	Accesorios Luer

4 Resumen de suministros

Elemento	Cantidad
Kit de adaptadores Ambr® CF, compuesto por	1
Adaptador	4
Portafiltros	4
Pinzas del filtro (equipadas con clips de manguera y tornillos de apriete manual)	8
Guías del filtro	4
Conjuntos de mangueras (cada uno compuesto por 1 manguera de alimentación, 2 mangueras de retenido y 2 mangueras de permeado)	4
Accesorios CIP (cada uno equipado con una tapa rosca Luer hembra)	4
Tapas roscadas Luer hembra de repuesto	4
Conectores Luer hembra a bloqueo Luer	12
Instrucciones de instalación	1

5 Funcionamiento

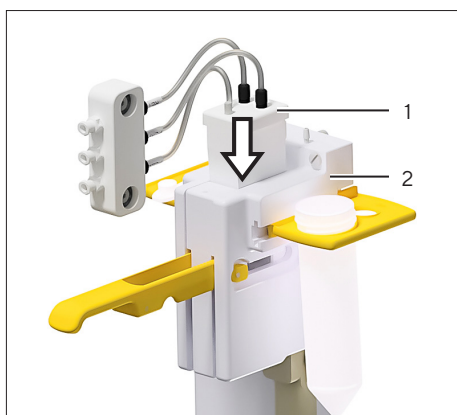
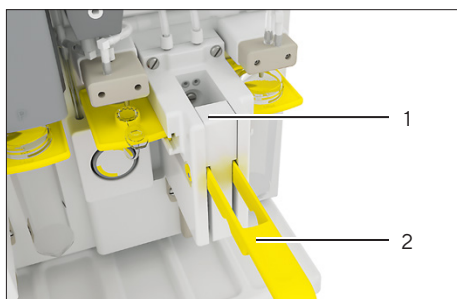
5.1 Inserción del adaptador

Requisitos

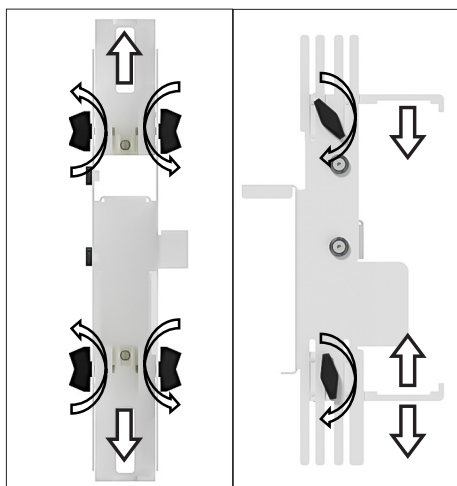
En la pantalla de la unidad de control se indica al operador que utilice uno o varios adaptadores.

Procedimiento

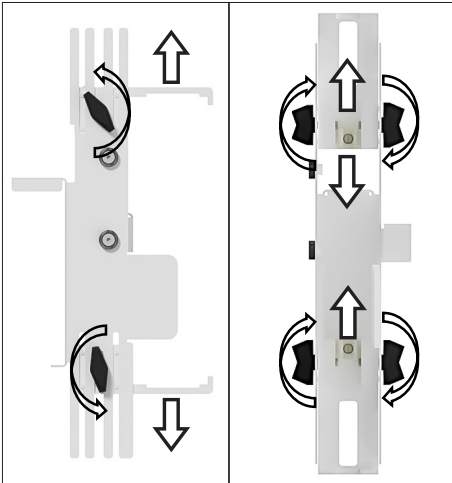
- ▶ **AVISO** ¡Es posible que el producto no funcione correctamente si se usan filtros no compatibles! Hay que asegurarse de usar filtros aptos para el producto (para la idoneidad, véase capítulo “9.3 Filtros de Sartorius aprobados”, página 90 | capítulo “9.4 Otros filtros aprobados”, página 91).
- ▶ Afloje la pinza del portafiltros levantando el mango (2) y tire de la placa de presión (1) hacia delante.



- ▶ Baje solo el adaptador (1) con el bloque de interfaces de manguera unido desde arriba al portafiltros (2).
- ▶ Los orificios del portafiltros deben quedar orientados hacia el módulo de flujo cruzado Ambr®. Las letras grabadas en la parte superior del adaptador deben estar a la derecha si se miran desde arriba.



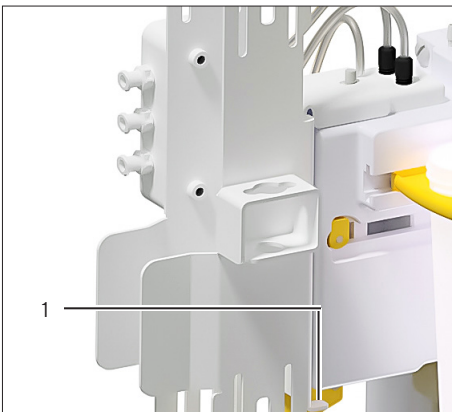
- ▶ Por defecto y para fines de envío, las sujeciones de filtros del soporte están configuradas en orientación vertical para los filtros de fibras huecas.
- ▶ Para utilizar filtros laminares planos, afloje los tornillos de apriete manual a cada lado de las pinzas del filtro en la parte superior e inferior del soporte para deslizar las pinzas del filtro fuera del soporte.
- ▶ Gire las pinzas del filtro 90° y reinsértelas de nuevo en el soporte.
- ▶ Apriete los tornillos de apriete manual para fijarlos en posición.
- ▶ Asegúrese de que la pinza superior esté en la parte inferior de su ranura.
- ▶ La posición de la pinza inferior se ajusta en función del filtro usado.



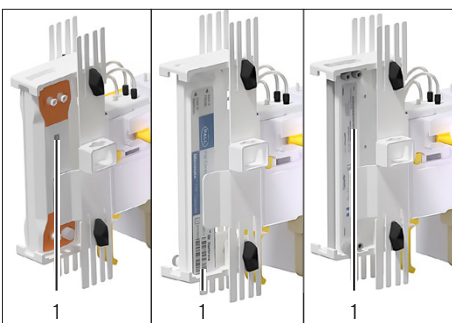
- ▶ Si las pinzas del filtro están colocadas en horizontal (para filtros laminares planos) y se cambia a filtros de fibras huecas, hay que desenroscar los tornillos de apriete manual a cada lado de las pinzas del filtro en la parte superior e inferior del soporte.
- ▶ Gire las pinzas del filtro 90° y reinsértelas de nuevo en el soporte antes de apretar los tornillos de apriete manual para fijarlos en posición.
- ▶ Asegúrese de que la pinza inferior esté en la parte superior de su ranura.
- ▶ La posición de la pinza superior se ajusta en función del filtro instalado.



- ▶ Una vez que las pinzas del filtro se hayan colocado en la orientación deseada en el soporte, enganche el soporte al adaptador.



- ▶ Opcional: Incline ligeramente el soporte para asegurar que los dos dientes (1) en la parte inferior encajen en uno de los lados del mango del portafiltros.



- ▶ Al usar un filtro laminar plano, coloque el filtro en el soporte.
- ▶ Ajuste la pinza inferior según sea necesario.
- ▶ Asegúrese de que el código de barras (1) se encuentre en el lado opuesto del bloque de interfaces de manguera para su escaneo futuro.

5.2 Filtro laminar plano: conectar el conjunto de mangueras al filtro y al bloque de interfaces de manguera

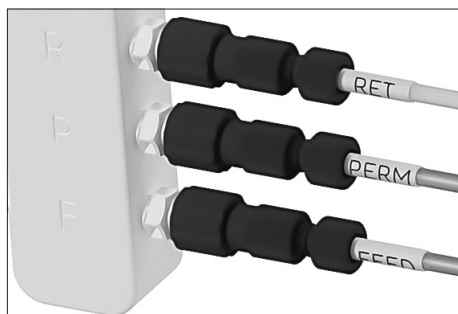
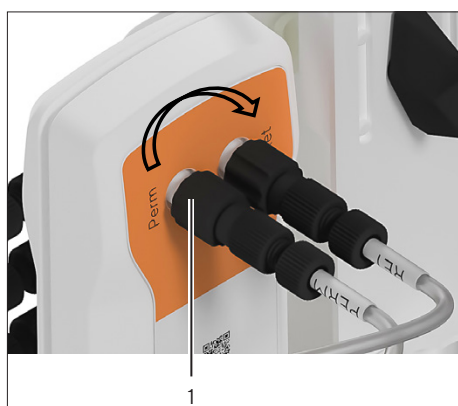
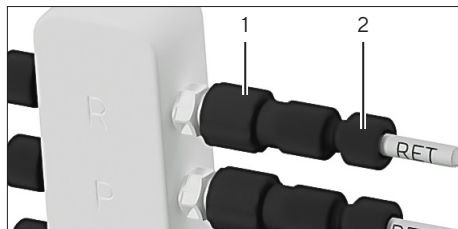
Procedimiento

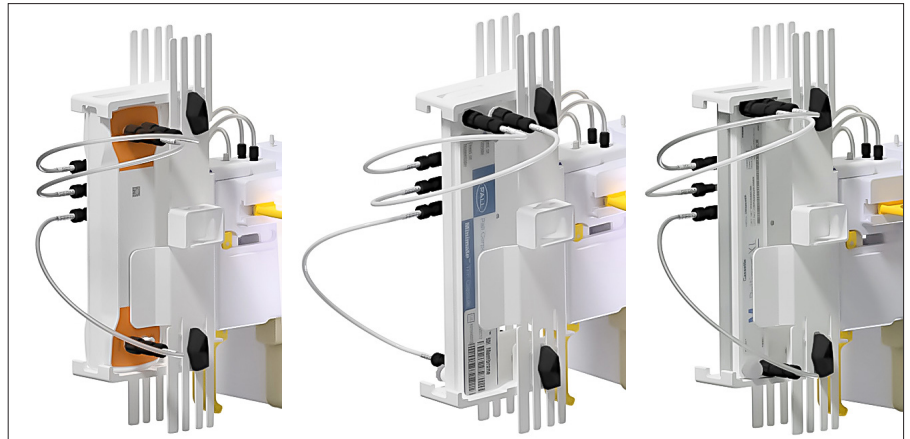
- ▶ **AVISO** Fugas debido a accesorios de compresión aflojados.
 - ▶ Al conectar o desconectar mangueras del producto, asegúrese de manipular únicamente la parte del anillo con bloqueo Luer (1) del conector.
 - ▶ No gire los accesorios de compresión roscados (2).
 - ▶ Si el accesorio de compresión roscado se suelta por accidente, vuelva a enroscarlo a mano y apriételo lo máximo posible.

- ▶ Coloque los accesorios Luer en los puertos correspondientes del filtro y/o el bloque de interfaces de manguera:
 - ▶ Enrosque los anillos con bloqueo Luer (1) en los accesorios Luer.
 - ▶ Asegúrese de que los accesorios Luer estén encajados en los correspondientes puertos del filtro y/o el bloque de interfaces de manguera y apriete los anillos con bloqueo Luer.

- ▶ Las mangueras están etiquetadas como "RET", "PERM" y "FEED". Asegúrese de conectar la manguera correcta con el puerto correcto en el filtro y en el bloque de interfaces de manguera.
- ▶ Para algunos filtros: use los conectores Luer hembra a bloqueo Luer en caso necesario.
- ▶ Obture el puerto de permeado no usado del filtro (en la parte inferior).

- ▶ En el caso de algunos filtros, podría ser más fácil conectar primero un extremo del conjunto de mangueras con el filtro (en la mesa de laboratorio).
 - ▶ Después, coloque el filtro en el soporte antes de conectar el otro extremo del conjunto de mangueras al bloque de interfaces de manguera.
- ▶ Enganche el bloque de interfaces de manguera en el lateral del soporte usando los imanes suministrados.
- ▶ El adaptador insertado debería tener este aspecto:



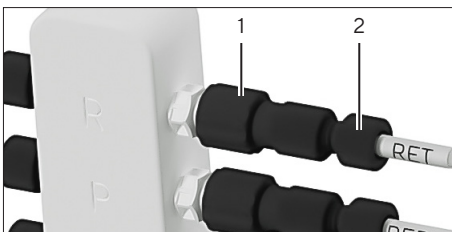


- ▶ Siga las indicaciones de la pantalla de la unidad de control. Para aquellos filtros en los que no es posible escanear el código de barras en el propio filtro o en el embalaje, se proporciona una entrada manual en el software del sistema de flujo cruzado Ambr®.

5.3 Filtro de fibras huecas: conectar el conjunto de mangueras al filtro y al bloque de interfaces de manguera

Cuando se usa un filtro de fibras huecas, se recomienda conectar el conjunto de mangueras con el filtro sobre la mesa de laboratorio antes de encajar el filtro en el soporte para facilitar la manipulación.

Procedimiento

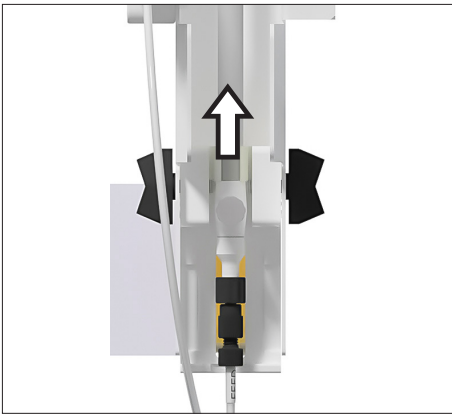
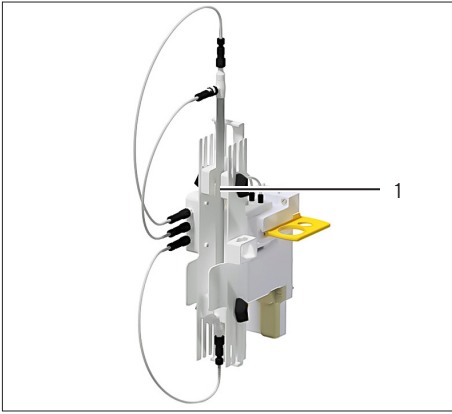


- ▶ **AVISO** Fugas debido a accesorios de compresión aflojados.
 - ▶ Al conectar o desconectar mangueras del producto, asegúrese de manipular únicamente la parte del anillo con bloqueo Luer (1) del conector.
 - ▶ No gire los accesorios de compresión roscados (2).
 - ▶ Si el accesorio de compresión roscado se suelta por accidente, vuelva a enroscarlo a mano y apriételo lo máximo posible.

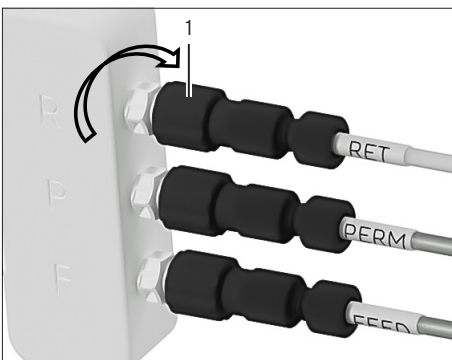


- ▶ Use la longitud correcta de las mangueras de retenido y permeado para el filtro elegido (véase capítulo “3.2 Longitud de manguera para filtros”, página 76).
- ▶ Inserte los conectores Luer (1) en los puertos correspondientes del filtro.
- ▶ Atornille los anillos con bloqueo Luer en los accesorios Luer.
- ▶ Asegúrese de que los accesorios Luer estén encajados en los correspondientes puertos del filtro y apriete los anillos con bloqueo Luer.

- ▶ Las mangueras están etiquetadas como “FEED”, “RET” y “PERM”. Asegúrese de conectar la manguera correcta con el puerto correcto en el filtro.
- ▶ Para algunos filtros: use los conectores Luer hembra a bloqueo Luer en caso necesario.
- ▶ Obture el puerto de permeado no usado del filtro (en la parte inferior, concretamente las tapas suministradas con el filtro Cytiva no son compatibles, y usan la tapa roscada Luer hembra suministrada).
- ▶ Enganche el filtro de fibra hueca en los clips de la manguera (1) proporcionados en las 2 pinzas del filtro.
- ▶ Asegúrese de empujar la fibra hueca lo más arriba posible en el soporte para dejar suficiente espacio para la manguera de alimentación en la parte inferior.



- ▶ Ajuste la altura de la pinza superior del filtro en la ranura para adaptarla al filtro de fibras huecas.
- ▷ Los clips de las pinzas del filtro pueden acomodar los módulos Hollow Fiber TFF de “gran” diámetro, además de otros filtros de fibra hueca de diámetro “pequeño”.



- ▶ Conecte la manguera desde el filtro de fibra hueca con su correspondiente puerto en el bloque de interfaces de manguera.
- ▶ Coloque los accesorios Luer en los puertos correspondientes del filtro y/o el bloque de interfaces de manguera:
 - ▶ Enrosque los anillos con bloqueo Luer (1) en los accesorios Luer.
 - ▶ Asegúrese de que los accesorios Luer estén encajados en los correspondientes puertos del bloque de interfaces de manguera y apriete los anillos con bloqueo Luer.
- ▶ Las mangueras están etiquetadas como “RET”, “PERM” y “FEED”. Asegúrese de conectar la manguera correcta con el puerto correcto en el bloque de interfaces de manguera.

- ▶ Enganche el bloque de interfaces de manguera en el lateral del soporte usando los imanes suministrados.
- ▶ Si se emplea un filtro de fibra hueca con mangueras largas de retenido y permeado (véase capítulo “3.2 Longitud de manguera para filtros”, página 76), encaje la guía del filtro sobre la pinza superior del filtro y enrosque las mangueras de retenido y permeado a los lados de la guía del filtro.
- ▷ El adaptador insertado debería tener este aspecto:



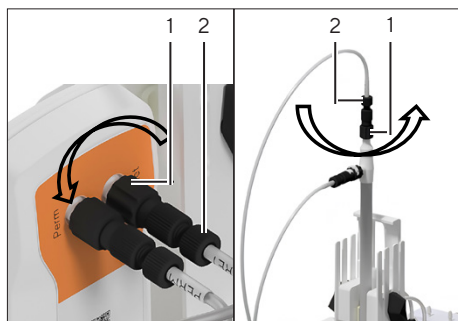
- ▶ Siga las indicaciones de la pantalla de la unidad de control. Para aquellos filtros en los que no es posible escanear el código de barras en el propio filtro o en el embalaje, se proporciona una entrada manual en el software del sistema de flujo cruzado Ambr®.

5.4 Extracción del filtro para la limpieza in situ

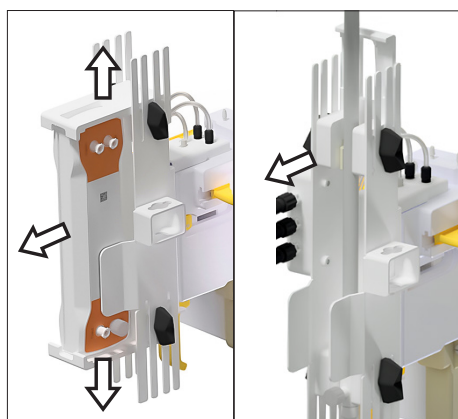
Requisitos

El operador ha recibido un mensaje en la pantalla de la unidad de control que pide retirar uno o varios filtros del módulo UF | DF del sistema de flujo cruzado Ambr®. Debe hacerse antes de llevar a cabo la limpieza in situ (CIP) con el accesorio CIP suministrado.

Procedimiento



- ▶ **AVISO** Fugas debido a accesorios de compresión aflojados.
 - ▶ Al conectar o desconectar mangueras del producto, asegúrese de manipular únicamente la parte del anillo con bloqueo Luer (1) del conector.
 - ▶ No gire los accesorios de compresión roscados (2).
 - ▶ Si el accesorio de compresión roscado se suelta por accidente, vuelva a enroscarlo a mano y apriételo lo máximo posible.
- ▶ Desenrosque los anillos con bloqueo Luer (1) en los accesorios Luer.
 - ▶ Para soltar, gire y saque los conectores Luer del filtro, garantizando una fijación segura en el accesorio Luer.
- ▶ No desconecte las mangueras del bloque de interfaces de manguera.



- ▶ Una vez se han soltado los tres accesorios, desenganche el filtro de fibra hueca de los clips de la manguera o, si se usa un filtro laminar plano, afloje los tornillos de apriete manual lo suficiente como para soltar las pinzas del filtro y retirar el filtro.

- ▶ Extraiga el filtro y deséchelo de forma correcta.

6 Limpieza in situ

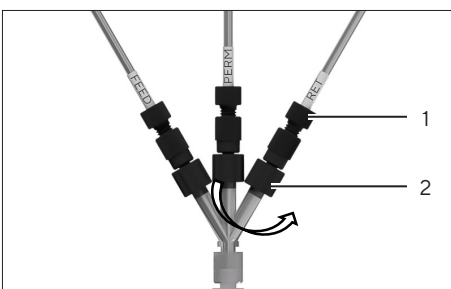
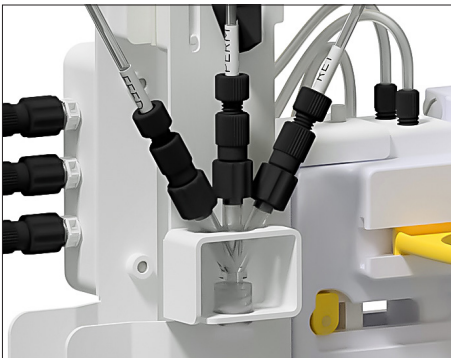
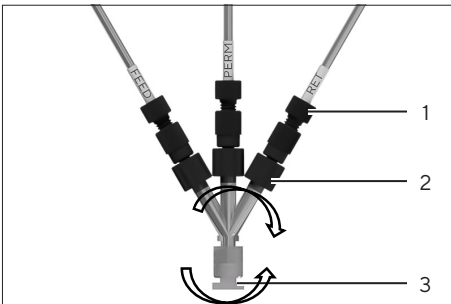
Después de un proceso de filtración con el adaptador, se debe llevar a cabo una limpieza in situ (CIP) para limpiar las líneas de líquido de todo tipo de líquido residual que quede del proceso de filtración. El accesorio CIP se suministra con el adaptador.

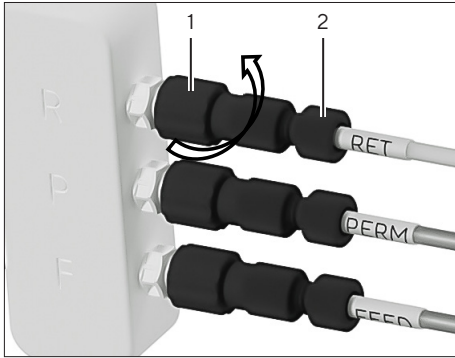
Requisitos

- El filtro se ha desmontado y desechado (véase capítulo 5.4, página 84).
- El operador ha recibido un mensaje en la pantalla de la unidad de control que pide cargar el accesorio CIP en el módulo UF | DF del sistema de flujo cruzado Ambr®.

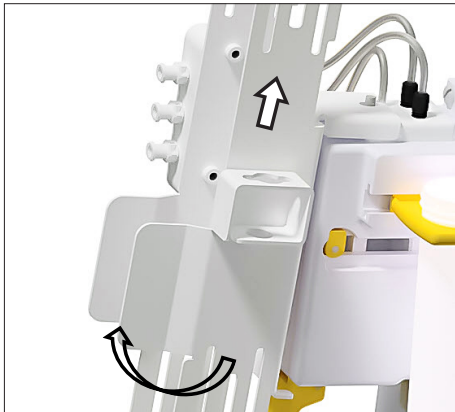
Procedimiento

- ▶ Conecte la manguera desde el bloque de interfaces de manguera al accesorio CIP suministrado. Para ello:
 - ▶ Encaje los accesorios Luer en los puertos Luer hembra del accesorio CIP (a diferencia de cuando hay filtro, el orden en que se conectan las 3 mangueras no es importante). Enrosque los anillos con bloqueo Luer (2) en los accesorios Luer del accesorio CIP.
 - ▶ Asegúrese de sujetar firmemente los conectores Luer (2) y no los accesorios de compresión (1).
 - ▶ Asegúrese de que los accesorios Luer están encajados en los correspondientes puertos y apriete los anillos con bloqueo Luer.
 - ▶ Apriete la tapa Luer hembra (3) de forma segura sobre el accesorio.
- ▶ Coloque el accesorio CIP del lateral del adaptador en la ranura proporcionada.
- ▶ Siga las indicaciones de la pantalla de la unidad de control para llevar a cabo el protocolo de limpieza in situ.
- ▶ Cuando se haya completado el protocolo CIP,
 - ▶ Desatornille los anillos con bloqueo Luer de los accesorios Luer (2) del accesorio CIP y gire y tire de los accesorios para desengancharlos del accesorio CIP. Asegúrese de sujetar firmemente los conectores Luer y no los accesorios de compresión (1).
 - ▶ Una vez que se han soltado los 3 accesorios Luer, retire el accesorio CIP para su uso futuro.
 - ▶ Si se usa una guía de filtro, suelte las mangueras de permeado y retenido del lateral de la guía del filtro.

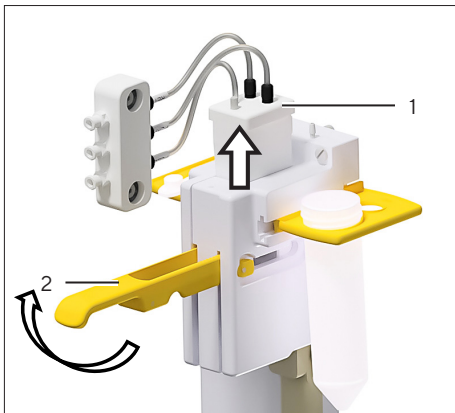




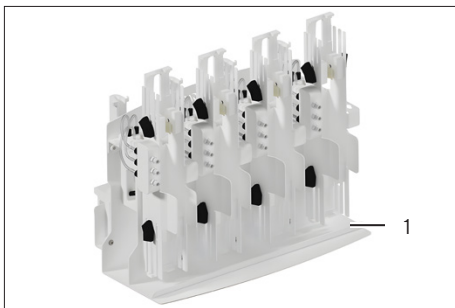
- ▶ Desatornille los anillos con bloqueo Luer de los accesorios Luer (1) del bloque de interfaces de manguera y gire y tire de los accesorios para desengancharlos del bloque de interfaces de manguera.
- ▶ Para ello, asegúrese de sujetar los accesorios Luer y no los accesorios de compresión (2).



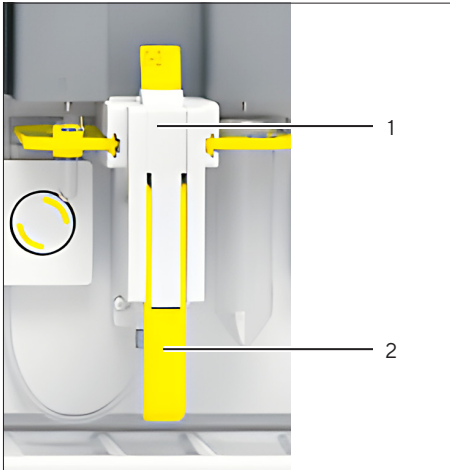
- ▶ Una vez que se han soltado los 3 accesorios Luer, retire el conjunto de mangueras y guárdelas para el próximo uso.
- ▶ Si se utiliza una guía de filtro, retírela de la pinza superior del filtro.
- ▶ Suelte el bloque de interfaces de manguera del soporte y desenganche el soporte del adaptador.
- ▶ Opcional: Incline ligeramente el soporte para asegurarse de que los dos dientes en la parte inferior no toquen ningún lado del mango del portafiltros.



- ▶ Tire del mango (2) hacia delante.
- ▶ Extraiga el adaptador (1) del portafiltros del sistema de flujo cruzado Ambr®.



- ▶ Guarde el adaptador, el soporte y la guía del filtro en la peana (1) suministrada entre los procesos de filtración.



- ▶ Presione la placa de presión (1) completamente hacia atrás. De esta forma, se cierra el portafiltros.
- ▶ Presione el mango (2) para devolverlo a su posición inicial. La pinza se cierra automáticamente y solo requiere una pequeña cantidad de fuerza para cerrarse.
- ▶ Siga las indicaciones de la pantalla de la unidad de control.

7 Almacenamiento

Requisitos

Se ha extraído el filtro y se ha llevado a cabo una limpieza in situ (véase capítulo 6, página 85).

Procedimiento

- ▶ Desconecte y guarde la tapa roscada Luer hembra, los conectores Luer hembra a bloqueo Luer, el accesorio CIP y el conjunto de mangueras.
- ▶ Asegúrese de drenar de forma adecuada cualquier líquido que quede en las mangueras.
- ▶ Almacene el adaptador, el soporte y la guía del filtro según las condiciones ambientales (véase capítulo "9.2 Condiciones ambientales en el lugar de instalación", página 89).

8 Desechado

8.1 Información sobre descontaminación

El producto no contiene materiales peligrosos que precisen de medidas de eliminación especiales.

Los cultivos y fluidos (p. ej. ácidos y bases) utilizados durante los procesos son materiales potencialmente peligrosos que pueden conllevar riesgos biológicos o químicos.

Si el producto ha entrado en contacto con sustancias peligrosas, se deben tomar medidas para descontaminarlo de forma adecuada y declarar dichos productos. El operador es responsable de cumplir la legislación local sobre la correcta declaración de transporte y eliminación y la correcta eliminación del producto.

ADVERTENCIA

¡Peligro de lesiones por equipo contaminado!

Sartorius **no** aceptará para su reparación o reciclaje ningún producto contaminado con materiales peligrosos (contaminación NBC).

8.2 Eliminación del producto

8.2.1 Información sobre la eliminación

Tanto el producto como sus accesorios deben eliminarse correctamente en centros de eliminación y reciclaje.

Los consumibles se han diseñado y están previstos para un solo uso (a excepción de los módulos Hollow Fiber TFF | Re-use Line).

8.2.2 Desechado

Requisitos

Se ha descontaminado el producto.

Procedimiento

- ▶ Elimine el producto. Siga las instrucciones de eliminación en nuestra página web (www.sartorius.com).
- ▶ Deseche todo el embalaje siguiendo las normativas nacionales pertinentes.
- ▶ Deseche todos los consumibles siguiendo las normativas nacionales pertinentes.

9 Datos técnicos

9.1 Dimensiones y peso

	Unidad	Valor
Dimensiones (anchura x profundidad x altura), adaptador individual con filtro laminar plano	mm	76 x 149 x 261
Dimensiones (anchura x profundidad x altura), adaptador individual con filtro de fibra hueca corto	mm	76 x 127 x 307
Dimensiones (anchura x profundidad x altura), adaptador individual con filtro de fibra hueca largo	mm	76 x 127 x 452
Dimensiones (anchura x profundidad x altura), peana con adaptadores	mm	342 x 182 x 301
Peso, total (4 adaptadores, incl. embalaje)	kg	5,5

9.2 Condiciones ambientales en el lugar de instalación

	Unidad	Valor
Salas de laboratorio convencionales a un máx. de 2000 m sobre el nivel del mar		
Temperatura		
Temperatura durante el funcionamiento	°C	+6 - +40
Fluctuaciones de temperatura al llevar a cabo los procesos de filtración, máximas	°C	± 5
Fluctuaciones de temperatura al llevar a cabo los procesos de filtración, máximas	°C/hora	± 5
Humedad relativa		
Humedad relativa durante el funcionamiento, máxima	%	60
Fluctuaciones de humedad relativa al llevar a cabo los procesos de filtración, máximas	%	± 10
Fluctuaciones de humedad relativa al llevar a cabo los procesos de filtración, máximas	%/hora	± 10
Clase de protección de conformidad con EN 60529		IP2X

9.3 Filtros de Sartorius aprobados

	Pedido Código de producto	
Sartocon® Slice 50	3D91441950ELLPU	
	3D91441950MLLPU	
	3D91442950ELLPU	
	3D91442950MLLPU	
	3D91443950ELLPU	
	3D91443950MLLPU	
	3D91445950ELLPU	
	3D91445950MLLPU	
	3D91447950ELLPU	
	3D91447950MLLPU	
	3D91460950ELLPU	
	3D91460950MLLPU	
	3D91462950ELLPU	
	3D91462950MLLPU	
	3D91463450ELLPU	
	3D91463450MLLPU	
	3D91463950ELLPU	
	3D91463950MLLPU	
	3D91465050ELLPU	
	3D91465050MLLPU	
	3D91465950ELLPU	
	3D91465950MLLPU	
	3D91466850ELLPU	
	3D91466850MLLPU	
	3D91467950ELLPU	
	3D91467950MLLPU	
	Módulos Hollow Fiber TFF Single-use Line	SU00305DIS12L6
		SU00505DIS12L6
		SU01005DIS12L6
		SU03005DIS12L6
		SU05005DIS12L6
		SU10005DIS12L6
		SU30005DIS12L6
SU00305DIS24L6		
SU00505DIS24L6		
SU01005DIS24L6		
SU03005DIS24L6		
SU05005DIS24L6		
SU10005DIS24L6		
SU30005DIS24L6		

	Pedido Código de producto
Módulos Hollow Fiber TFF Re-use Line	WA00305DIS12L6 WA00505DIS12L6 WA01005DIS12L6 WA03005DIS12L6 WA05005DIS12L6 WA10005DIS12L6 WA30005DIS12L6 WA00305DIS24L6 WA00505DIS24L6 WA01005DIS24L6 WA03005DIS24L6 WA05005DIS24L6 WA10005DIS24L6 WA30005DIS24L6
TFF de fibra hueca Línea de vaporizador	AU03005DIS12L6 AU05005DIS12L6 AU10005DIS12L6 AU30005DIS12L6 AU03005DIS24L6 AU05005DIS24L6 AU10005DIS24L6 AU30005DIS24L6

9.4 Otros filtros aprobados

Filtros de fibra hueca Repligen MicroKros

Cápsula TFF Cytiva Minimate™

Filtros de fibra hueca Cytiva MidGee™

Merck Millipore Pellicon® XL 50

10 Sartorius Service

Sartorius Service está a su disposición para aclarar las preguntas que tenga sobre el producto. Para más información sobre las direcciones del servicio técnico, servicios que se prestan o para ponerse en contacto con un representante local, visite la página web de Sartorius (www.sartorius.com).

Cuando se ponga en contacto con Sartorius Service para preguntas relacionadas con el sistema o por motivos de fallo de funcionamiento, asegúrese de tener a mano la información del producto relevante, como el número de serie, hardware, firmware o configuración. Esta información se puede encontrar en la placa de identificación del fabricante.

11 Información de marcas comerciales

Minimate™ y MidGee™ son marcas comerciales registradas de Cytiva Sweden AB.

Pellicon® es una marca comercial registrada de Merck KGaA.

目录

1 关于本文档	93	6 就地清洁	105
1.1 有效性	93	7 存放	108
1.2 相关文档	93	8 处置	108
1.3 目标群体	93	8.1 去污染信息	108
1.4 使用的符号	93	8.2 处置产品	108
1.4.1 操作描述中的警告	93	8.2.1 处置信息	108
1.4.2 其它符号	93	8.2.2 处置	108
2 安全说明	94	9 技术数据	109
2.1 预期用途	94	9.1 尺寸及重量	109
2.2 人员资质	94	9.2 安装场地的环境条件	109
2.3 安全装置	95	9.3 经批准的 Sartorius 过滤器	110
2.4 耗材	95	9.4 其他经批准的过滤器	111
2.5 磁力	95	10 Sartorius Service	111
2.6 个人防护装备	95	11 商标信息	111
2.7 过滤器泄漏	95		
2.8 气密性潜在损害	95		
3 产品概述	96		
3.1 管组	97		
3.2 过滤器适用管路长度	98		
3.3 连接到 Ambr® Crossflow 模块	98		
3.4 过滤过程	98		
3.5 安全装置	99		
4 产品交付清单	99		
5 操作	100		
5.1 插入适配器	100		
5.2 平板式过滤器:连接管组与过滤器及管路接口块	102		
5.3 中空纤维过滤器:连接管组与过滤器及管路接口块	103		
5.4 取下过滤器进行就地清洁	105		

1 关于本文档

1.1 有效性

这些说明是产品的一部分；必须完整阅读并保存它们。这些说明适用于以下版本的产品：

产品

Ambr® CF 适配器套件

1.2 相关文档

- ▶ 除这些说明之外，请遵循以下文档：
 - 控制单元和相关产品的说明，例如，条形码扫描器
 - Ambr® Crossflow UF | DF 模块的说明
 - Ambr® Crossflow 软件的说明
 - 所用过滤器的说明：
 - Sartocoon® Slice 50
 - Hollow Fiber TFF 模块 | 蒸汽管线
 - Hollow Fiber TFF 模块 | 再利用管线
 - Hollow Fiber TFF 模块 | 一次性使用管线
 - 等等

1.3 目标群体

这些说明专供下列目标群体阅读和使用。目标群体必须具备以下所列的知识。

目标群体	知识和资质
操作员	操作员熟悉产品的操作和相关的工作流程。操作员了解使用该产品时可能出现的危险并知道如何防范它们。

1.4 使用的符号

1.4.1 操作描述中的警告

警告

表示如果不避免可导致死亡或严重伤害风险的危险。

注意

表示如果不避免可导致财产损害的危险。

1.4.2 其它符号

- ▶ 必需的操作：描述必须执行的活动。按顺序执行的活动必须依次执行。
- ▷ 结果：描述已执行活动的结果。

2 安全说明

2.1 预期用途

Ambr® CF 适配器套件设计用于 Ambr® Crossflow UF | DF 模块。该产品适用于 crossflow 过滤“超滤”(UF) 和“渗滤”(DF)。该产品是可选配件,允许用户在标准 Ambr® CF 过滤器之外使用其他过滤器。

对于过滤过程的控制,只能使用控制单元及 Ambr® Crossflow 软件版本 19 或更高版本。过滤过程可以使用 Ambr® Crossflow 软件实现自动化。

如果采用的工艺与 Ambr® Crossflow 软件预设工艺不同,例如反向操作进料泵:针对不同的过滤过程,必须进行具体的风险评估,以排除潜在危害。

仅支持在该产品中使用指定过滤器(参见第 9.3 经批准的 Sartorius 过滤器 110 页的“9.3 经批准的 Sartorius 过滤器”一章 | 第 9.4 其他经批准的过滤器 111 页的“9.4 其他经批准的过滤器”一章)。适配器中的过滤器设计为一次性使用,使用后必须丢弃,但 Hollow Fiber TFF 模块 | 再利用管线除外。该产品本身可就地清洁并重复使用。然而,软件并未包含对过滤器使用后进行清洁的功能。若操作员希望重复使用过滤器,则需自行制定清洁规程,并进行必要的风险评估。

尽管适配器设计可以兼容不同供应商的过滤器,但当与竞品过滤器搭配使用时,Sartorius 不对 Ambr® Crossflow 的操作性能、使用寿命和准确性做出承诺。Sartorius 建议为了实现最大程度的兼容性和安全性,使用 Sartorius 过滤器。

该产品为专门设计,仅可按照这些说明使用。任何超出这些说明范围的用途均被视为不当。

如果未正确使用该产品:该产品的保护系统可能会受损。可能造成不可预见的人身伤害或财产损失。

产品的操作条件

请勿在可能产生爆炸的环境中使用该产品。该产品只能在室内使用。

该产品只能在这些说明的技术数据表中所述的操作条件下配合其中所述的设备使用。

产品改造

若对该产品进行改造,可能会给人员带来风险。产品特定文档和产品批准可能会失效。

如有任何关于产品改造的问题,请联系 Sartorius。

2.2 人员资质

对如何使用该产品不具备足够知识的人可能会伤害自己和他人。

若某项活动需要特定资质,将在目标群体中明确指出。若未指明特定资质,则“操作员”目标群体可执行该活动。

2.3 安全装置

该产品的安全装置旨在保护产品使用人员,防止与其相关的危险和伤害发生。如果该产品的安全装置被拆除或改装,可能会造成人员重伤。

- ▶ 不得拆卸、改装或禁用安全装置(请参阅第 3.599 页的“3.5”一章以了解安全装置的信息)。

2.4 耗材

使用不合适的耗材会影响产品的功能和安全性,后果如下:

- 人身伤害的危险
- 产品损坏
- 产品故障
- 产品停止工作

- ▶ 仅使用 Sartorius 针对该产品批准的耗材和备件。

2.5 磁力

管路接口块的磁铁固定在产品支架上。磁力会干扰心脏起搏器或其他医疗植入物。带有心脏起搏器或其他医疗植入物的人可能会受到影响。

- ▶ 带有心脏起搏器或其他医疗植入物的人必须与该产品保持至少 0.1 m 的安全距离。
- ▶ 识别安装场地的磁力危险。

2.6 个人防护装备

个人防护装备可防止来自产品的风险。如果个人防护装备丢失或不适合在产品上进行的工作流程,可能会导致人员受伤。

必须佩戴以下个人防护装备:

- 安全护目镜
- 安全手套
- 安全服

2.7 过滤器泄漏

松开产品上的压缩接头可能导致泄漏,从而引发轻微化学品接触伤害或因湿滑表面导致的滑倒摔伤等安全事故。

- ▶ 任何时候都不得松开压缩接头。

2.8 气密性潜在损害

从 Ambr® Crossflow 软件中删除或修改标准气密性和过滤器气密性阶段,可能会破坏系统安全性,导致泄漏发生。

- ▶ 不得在标准配方模板中删除或修改这些阶段。
- ▶ 操作员擅自修改将自行承担风险。

3 产品概述

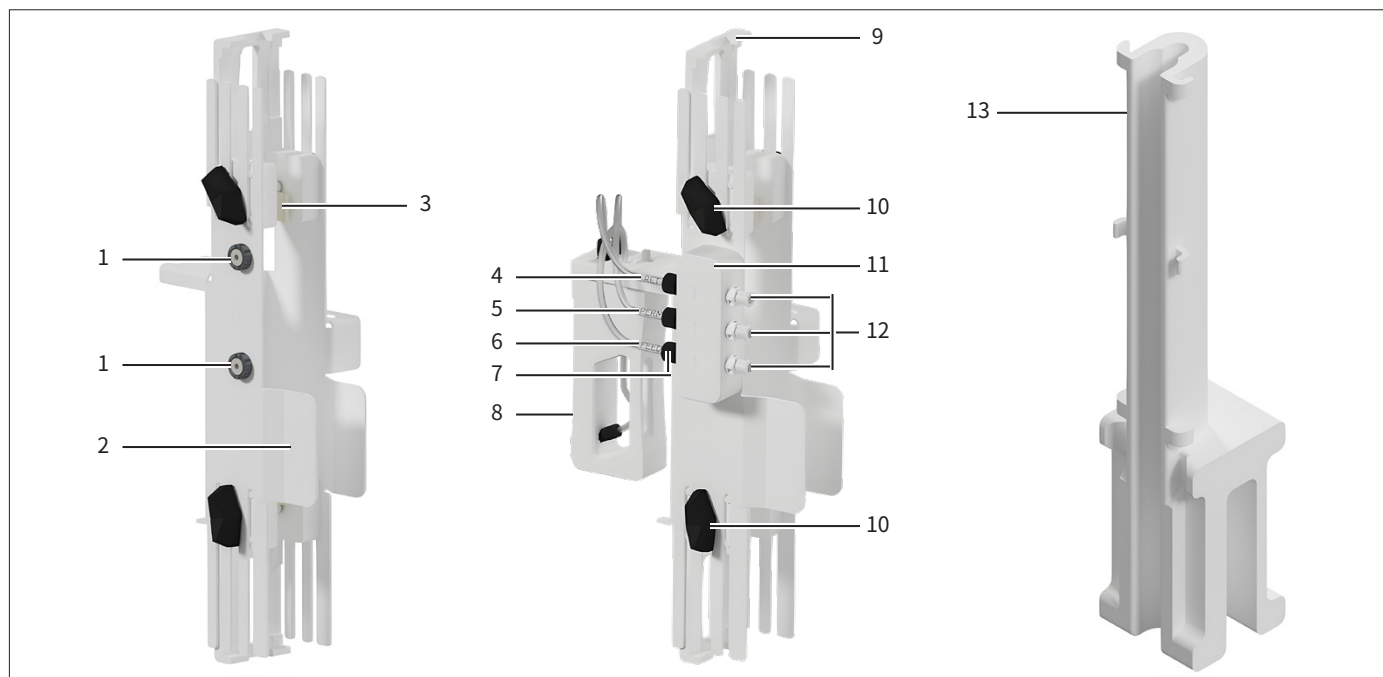


图 1: 无过滤器适配器

位置	名称	说明
1	磁铁	使管路接口块能够通过磁性吸附在支架侧面。
2	支架	钩住适配器并在过滤过程中固定过滤器位置。
3	管夹	连接在过滤器夹具上,当过滤器夹具处于垂直位置时,用于将中空纤维过滤器夹紧定位。
4	滞留液软管	连接适配器上的滞留液端口与管路接口块上的滞留液端口。
5	渗透液软管	连接适配器上的渗透液端口与管路接口块上的渗透液端口。
6	进料软管	连接适配器上的进料端口与管路接口块上的进料端口。
7	压缩接头	每段管路末端各有一个,环绕管路并旋入适配器或管路接口块上的相应端口。
8	适配器	可装入标准 Ambr® CF 过滤器,与 Ambr® 模块相连接。
9	过滤器夹具	通过拇指螺丝固定过滤器在支架中的位置。夹具提供两种定位方式(水平或垂直),具体取决于过滤器类型。管夹固定在过滤器夹具上,用于将中空纤维过滤器夹紧定位。
10	拇指螺丝	将过滤器夹具固定在支架内的位置。
11	管路接口块	通过磁性连接在支架侧面,连接适配器与过滤器管路之间的管路。
12	鲁尔连接器	连接过滤器管路与管路接口块上的相应端口。
13	过滤器导向器	支撑较长的中空纤维过滤器,并允许管路在其侧面夹紧固定。

3.1 管组

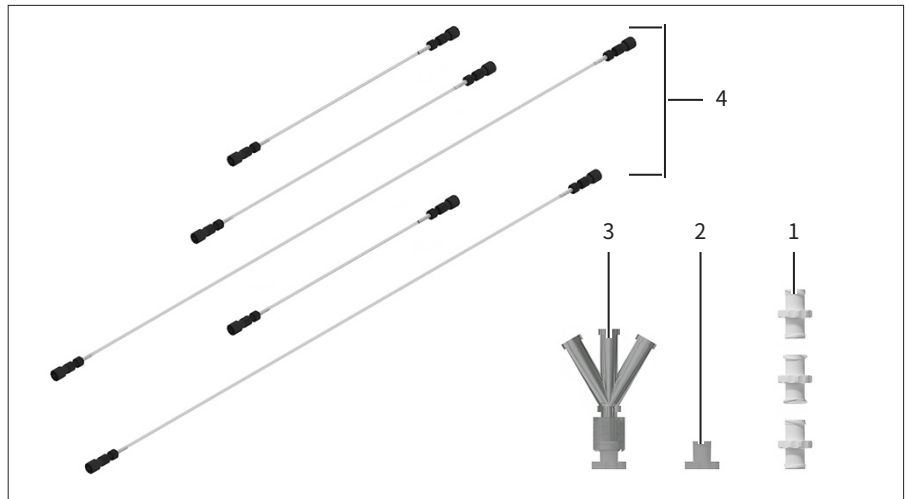


图2: 适配器管组

位置	名称	说明
1	母鲁尔转鲁尔锁接头	用于连接部分过滤器上的管组与端口。
2	母鲁尔螺纹盖	用于封堵部分过滤器上未使用的渗透液端口。
3	CIP 接头	用于过滤过程后进行就地清洁 (CIP) 的四通鲁尔接头。随附一个母鲁尔螺纹盖用于封堵第四端口。
4	管组	<p>使得过滤器能够与管路接口块连接, 包括 5 种不同长度的管路以适应各种过滤器尺寸:</p> <ul style="list-style-type: none"> – 1 根进料软管 (适用于所有过滤器) – 2 根滞留液软管 (一根短, 一根长) – 2 根渗透液软管 (一根短, 一根长) <p>关于每种过滤器应使用哪种管路的具体信息可在第 3.2 过滤器适用管路长度 98 页的“3.2 过滤器适用管路长度”一章中查看。</p> <p>每根管路均标记有“FEED”、“RET”或“PERM”字样, 以识别相应端口。每根管路两端均配有压缩接头和鲁尔接头, 以便与管路接口块和过滤器连接。</p>

3.2 过滤器适用管路长度

	进料	滞留液	渗透液
Sartocon® Slice 50	常规	短	短
Cytiva Minimate™		短	短
Merck Millipore Pellicon® XL 50		短	短
Hollow Fiber TFF 模块 一次性使用管线 Discover TM 12”		短	短
Repligen MicroKros 20 cm		短	短
Cytiva MidGee™		短	短
Repligen MicroKros 41.5 cm 65 cm		长	长
Hollow Fiber TFF 模块 一次性使用管线 Discover TM 24”		长	长

3.3 连接到 Ambr® Crossflow 模块

适配器与 Ambr® Crossflow 模块的连接方式与标准过滤器相同, 利用 3 个端口分别连接进料、渗透液和滞留液。随产品提供的管路将这些端口与管路接口块上的对应端口相连。所提供的管组便于将过滤器的 3 个端口与管路接口块上的相应端口连接起来。

通过提供的管组, 过滤器支架能确保过滤器牢固地连接到适配器上。过滤器上的 2 个渗透液端口中有一个未使用, 需要用鲁尔盖将其密封。大多数过滤器的所有端口都配有鲁尔盖, 对于未配备的过滤器, 会额外提供一个备用鲁尔盖。必须确保鲁尔盖拧紧在未使用的渗透液端口上, 否则过滤器可能无法通过气密性测试, 进而影响后续的过滤过程。

3.4 过滤过程

使用带有 Ambr® Crossflow 模块的产品时, 无论是超滤还是渗滤, 过滤过程都没有变化。流体不是直接进入标准过滤器, 而是从适配器进料端口流向管路接口块上的相应端口, 然后进入过滤器。然后, 流体通过滞留液和/或渗透液端口从过滤器流出, 回到管路接口块上的相应端口, 并最终进入适配器和 Ambr® Crossflow 模块。

3.5 安全装置

随产品提供的软管、压缩接头和鲁尔接头是特殊设计的,并经过测试可承受高压,因此系统在发生堵塞时具有本质安全性。**不得以任何方式改装或篡改它们。**

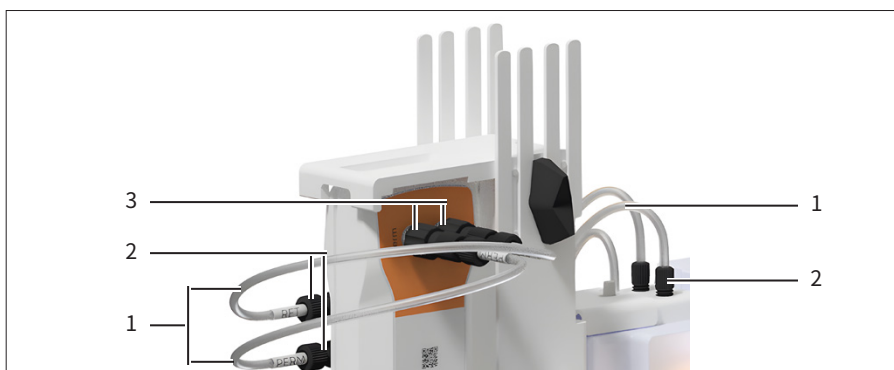


图3: 适配器和过滤器支架

位置	名称
1	软管
2	压缩接头
3	鲁尔接头

4 产品交付清单

项目	数量
Ambr® CF 适配器套件, 包括	1
适配器	4
过滤器支架	4
过滤器夹具 (配有管夹和拇指螺丝)	8
过滤器导向器	4
管组 (每个管组包括 1 根进料软管、2 根滞留液软管和 2 根渗透液软管)	4
CIP 接头 (每个接头都配有一个鲁尔内螺纹盖)	4
备用母鲁尔螺纹盖	4
母鲁尔转鲁尔锁接头	12
安装说明	1

5 操作

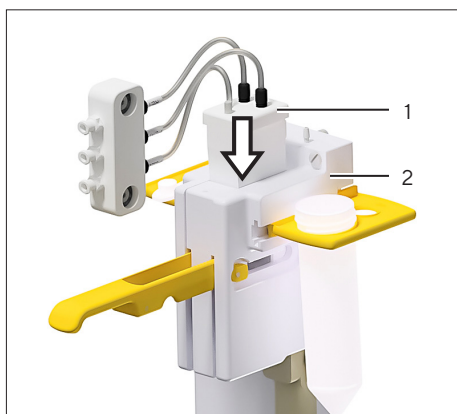
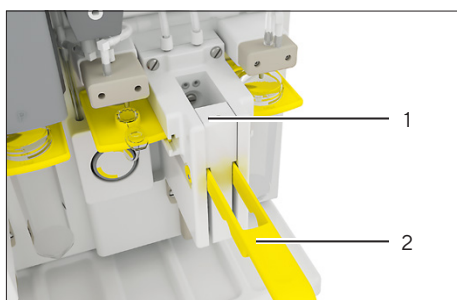
5.1 插入适配器

要求

在控制单元的屏幕上提示操作员安装一个或多个适配器。

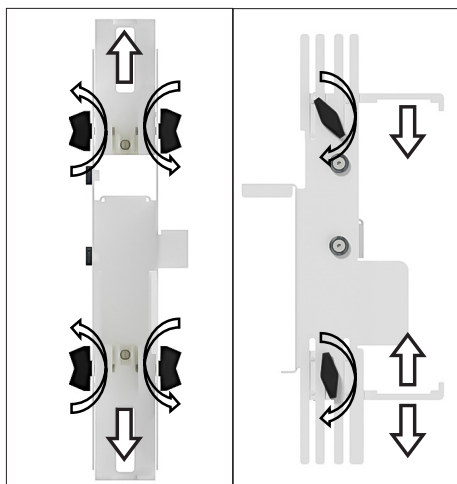
步骤

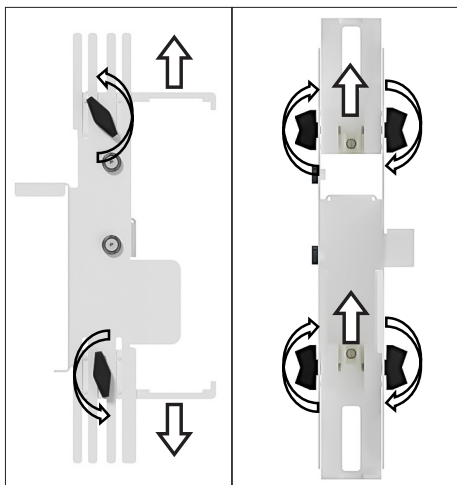
- ▶ **注意** 使用不适用的过滤器可能导致产品出现故障！确保过滤器适用于产品（关于适用性，请参阅第 9.3 经批准的 Sartorius 过滤器 110 页的“9.3 经批准的 Sartorius 过滤器”一章 | 第 9.4 其他经批准的过滤器 111 页的“9.4 其他经批准的过滤器”一章）。
- ▶ 提起手柄 (2) 并向前拉压板 (1)，松开过滤器支架夹。



- ▶ 只需将带有管路接口块的适配器 (1) 自上而下放入过滤器支架 (2) 中。
- ▶ 过滤器支架上的孔必须朝向 Ambr® Crossflow 模块。从上方看时，刻在适配器顶部的字母应该朝上。

- ▶ 默认情况下，出于运输目的，支架上的过滤器夹具设置为垂直方向，适用于中空纤维过滤器。
- ▶ 若要使用平板式过滤器，请拧松支架上下过滤器夹具两侧的拇指螺丝，将过滤器夹具从支架中滑出。
- ▶ 将过滤器夹具旋转 90°，然后重新插入支架中。
- ▶ 紧固拇指螺丝以固定过滤器夹具位置。
- ▶ 确保此时上部夹具位于其槽位底部。
- ▶ 下部夹具的位置根据使用的过滤器进行调整。

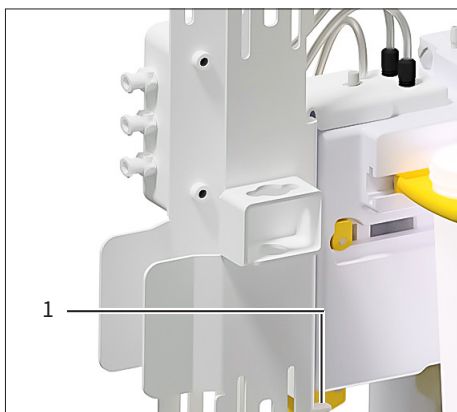




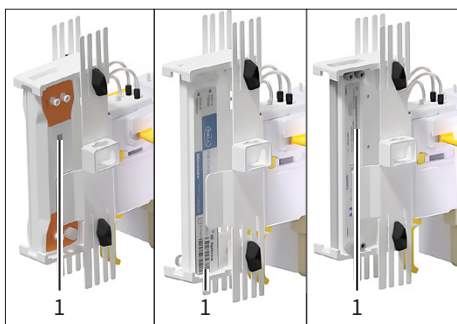
- ▶ 若过滤器夹具已水平放置(适用于平板式过滤器),且要切换到中空纤维过滤器,请拧松支架上下过滤器夹具两侧的拇指螺丝。
- ▶ 将过滤器夹具旋转 90° 后,重新插入支架中,并紧固拇指螺丝以固定过滤器夹具位置。
- ▶ 确保此时下部夹具位于其槽位顶部。
- ▶ 上部夹具的位置根据所装过滤器进行调整。



- ▶ 在过滤器夹具按所需方向放置在支架上后,将支架挂在适配器上。



- ▶ (可选) 稍微倾斜支架,确保底部的两个卡爪 (1) 置于过滤器支架手柄两侧。

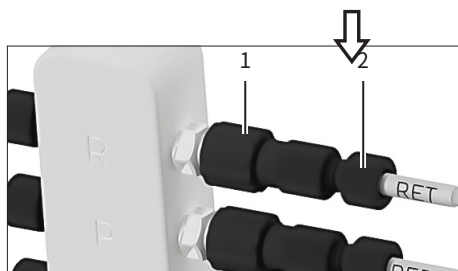


- ▶ 使用平板式过滤器时,将过滤器放入支架内。
- ▶ 根据需要调整下部夹具。
- ▶ 确保条形码 (1) 位于管路接口块对面,以便将来扫描。

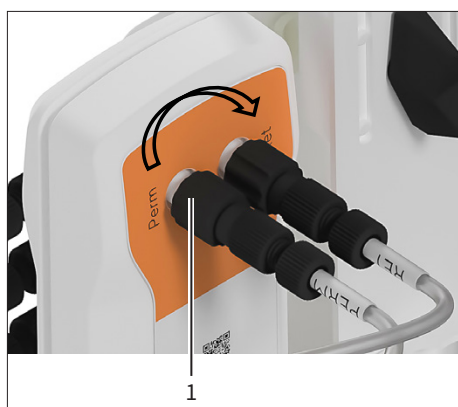
5.2 平板式过滤器:连接管组与过滤器及管路接口块

步骤

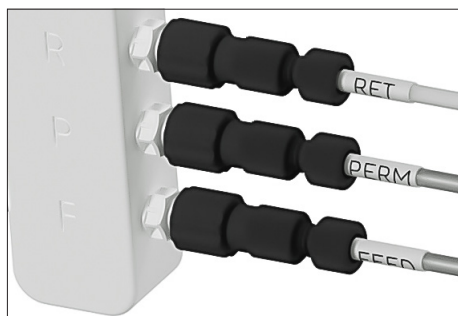
- ▶ **注意** 由于压缩接头松动导致的泄漏问题!
 - ▶ 在连接|断开产品上的管路时,请务必只握持连接器上的鲁尔锁环 (1)。
 - ▶ 切勿扭动螺纹式压缩接头 (2)。
 - ▶ 如果螺纹式压缩接头意外松动,请用手将其旋回并尽可能紧固。



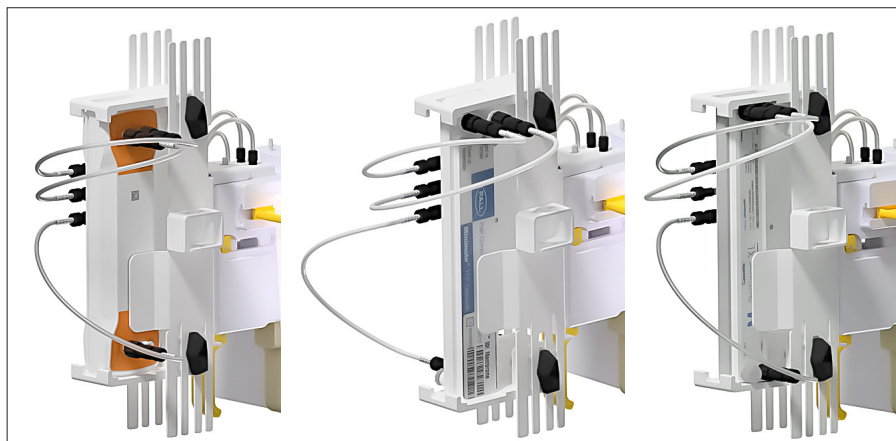
- ▶ 将鲁尔接头插入过滤器及|或管路接口块的相应端口:
 - ▶ 拧入鲁尔接头上的鲁尔锁环 (1)。
 - ▶ 确保鲁尔接头已正确插入过滤器及|或管路接口块的相应端口,并旋紧鲁尔锁环。



- ▶ 管路上标记有“RET”、“PERM”和“FEED”字样。确保将正确的管路连接到过滤器及管路接口块上的对应端口。
- ▶ 对于某些过滤器:如有需要,使用母鲁尔转鲁尔锁接头进行连接。
- ▶ 将过滤器上未使用的渗透液端口(底部)封堵。



- ▶ 对于某些过滤器,首先将管组的一端连接到过滤器(在工作台上)可能会更方便。
 - ▶ 然后,将过滤器放入支架中,再将管组的另一端连接到管路接口块上。
- ▶ 利用提供的磁铁将管路接口块扣在支架侧面。
- ▶ 插入适配器后的外观应如下所示:

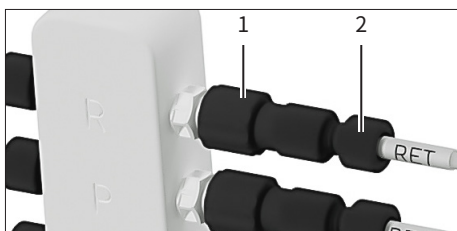


- ▶ 按照控制单元屏幕上的提示进行操作。对于那些无法直接扫描过滤器本身或包装上条形码的过滤器, Ambr® Crossflow 软件中提供了手动输入。

5.3 中空纤维滤器: 连接管组与过滤器及管路接口块

在使用中空纤维过滤器时, 推荐先在工作台上将管组连接到过滤器上, 然后再将其安装至支架中, 以便于操作。

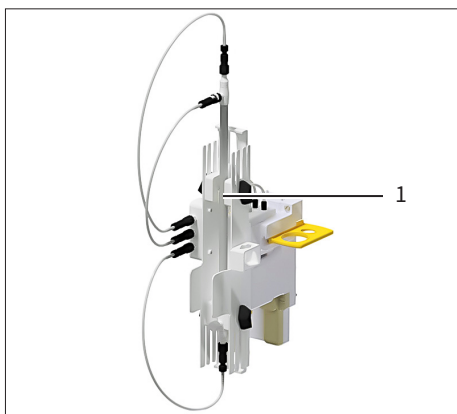
步骤



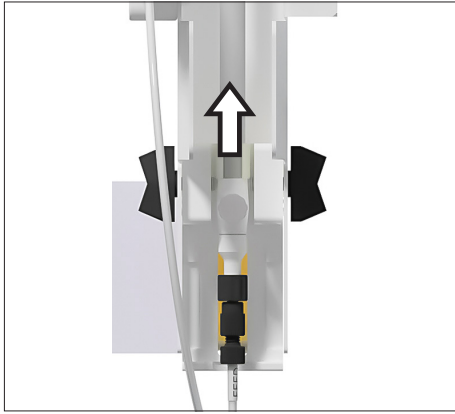
- ▶ **注意** 由于压缩接头松动导致的泄漏问题!
 - ▶ 在连接|断开产品上的管路时, 请务必只握持连接器上的鲁尔锁环 (1)。
 - ▶ 切勿扭动螺纹式压缩接头 (2)。
 - ▶ 如果螺纹式压缩接头意外松动, 请用手将其旋回并尽可能紧固。



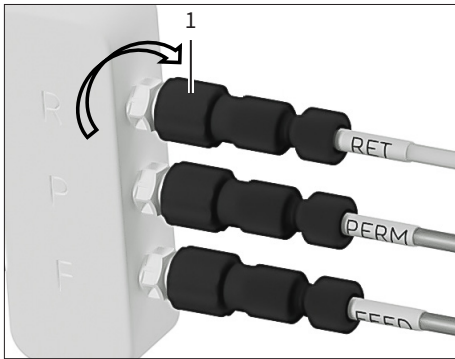
- ▶ 根据选用过滤器选择合适长度的滞留液和渗透液软管 (详见 第 3.2 过滤器适用管路长度98 页的“3.2 过滤器适用管路长度”一章)。
- ▶ 将鲁尔接头 (1) 插入过滤器的相应端口。
- ▶ 拧入鲁尔接头上的鲁尔锁环。
- ▶ 确保鲁尔接头已正确插入过滤器的相应端口, 并旋紧鲁尔锁环。



- ▶ 管路上标记有“FEED”、“RET”和“PERM”字样。确保将正确的管路连接到过滤器上的对应端口。
- ▶ 对于某些过滤器: 如有需要, 使用母鲁尔转鲁尔锁接头进行连接。
- ▶ 封堵过滤器上未使用的渗透液端口 (在底部, 特别是 Cytiva 过滤器随附的盖子不合适, 使用随附的母鲁尔内螺纹盖)。
- ▶ 将中空纤维过滤器夹在 2 个过滤器夹具上提供的管夹 (1) 中。
- ▶ 确保中空纤维过滤器在支架内推高至最大限度, 以便在底部留出足够的空间安装进料管。



- ▶ 调整顶部过滤器夹具在插槽内的高度以适应中空纤维过滤器。
- ▷ 过滤器夹具上的夹片可容纳“大直径”的 Hollow Fiber TFF 模块以及其他“小直径”的中空纤维过滤器。



- ▶ 将从中空纤维过滤器引出的管路连接到管路接口块上的相应端口。
- ▶ 将鲁尔接头插入过滤器及/或管路接口块的相应端口：
 - ▶ 拧入鲁尔接头上的鲁尔锁环 (1)。
 - ▶ 确保鲁尔接头已正确插入管路接口块的相应端口，并旋紧鲁尔锁环。
 - ▶ 管路上标记有“RET”、“PERM”和“FEED”字样。确保将正确的管路连接到管路接口块上的对应端口。

- ▶ 利用提供的磁铁将管路接口块扣在支架侧面。
- ▶ 如使用带有较长滞留液和渗透液软管的中空纤维过滤器 (参阅 第 3.2 过滤器适用管路长度98 页的“3.2 过滤器适用管路长度”一章)，在顶部过滤器夹具上安装过滤器导向器，并将滞留液和渗透液软管沿着过滤器导向器两侧穿绕。
- ▷ 插入适配器后的外观应如下所示：



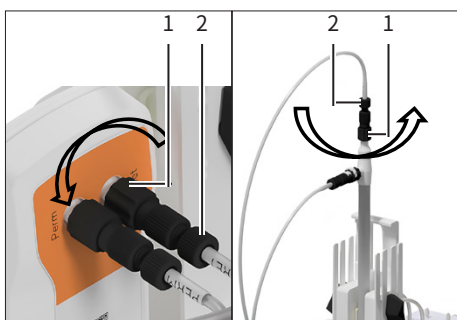
- ▶ 按照控制单元屏幕上的提示进行操作。对于那些无法直接扫描过滤器本身或包装上条形码的过滤器, Ambr® Crossflow 软件中提供了手动输入。

5.4 取下过滤器进行就地清洁

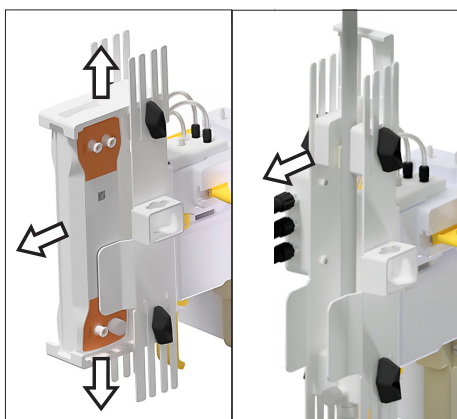
要求

在控制单元的屏幕上会提示操作员从 Ambr® Crossflow UF | DF 模块中取下一个或多个过滤器。应该在使用随产品提供的 CIP 接头进行就地清洁 (CIP) 之前完成该操作。

步骤



- ▶ **注意** 由于压缩接头松动导致的泄漏问题!
 - ▶ 在连接|断开产品上的管路时, 请务必只握持连接器上的鲁尔锁环 (1)。
 - ▶ 切勿扭动螺纹式压缩接头 (2)。
 - ▶ 如果螺纹式压缩接头意外松动, 请用手将其旋回并尽可能紧固。
- ▶ 旋松鲁尔接头上的鲁尔锁环 (1)。
 - ▶ 通过扭转并轻轻拔出鲁尔锥形接头, 使其与过滤器脱离, 同时确保稳固握住鲁尔接头。
- ▶ 切勿将管路从管路接口块上断开连接。



- ▶ 待 3 个接头全部脱离后, 从管夹中卸下中空纤维过滤器; 如果是平板式过滤器, 则需旋松拇指螺丝以释放过滤器夹具, 然后移除过滤器。

- ▶ 取下过滤器并以适当方式丢弃。

6 就地清洁

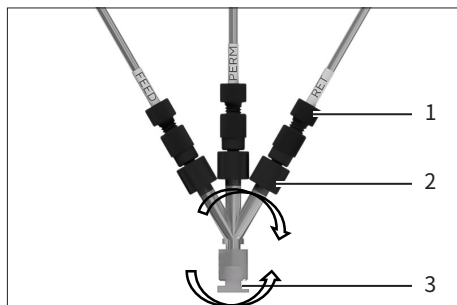
在使用适配器完成过滤过程后, 必须执行 CIP (就地清洁), 以清洁过滤过程在液体管线内留下的任何残留液体。CIP 接头与适配器一起交付。

要求

- 过滤器已被移除并丢弃 (请参阅第 5.4105 页的“5.4”一章)。
- 在控制单元的屏幕上会提示操作员将 CIP 接头安装到 Ambr® Crossflow UF | DF 模块上。

步骤

- ▶ 将管路接口块上的管路连接到提供的 CIP 接头上。为此：
 - ▶ 将鲁尔接头插入 CIP 接头的母鲁尔端口内(与过滤器不同, 3 根管路连接的顺序并不重要)。将鲁尔接头上的鲁尔锁环 (2) 旋入 CIP 接头内。
 - ▶ 确保紧握鲁尔锁环 (2), 而非压缩接头 (1)。
 - ▶ 确认鲁尔接头已插入相应端口, 并旋紧鲁尔锁环。
 - ▶ 将母鲁尔螺纹盖 (3) 牢固旋紧在接头上。

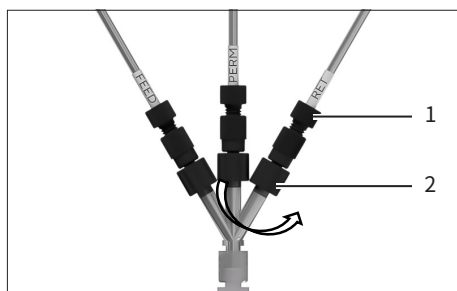


- ▶ 将 CIP 接头放入适配器侧面提供的插槽中。

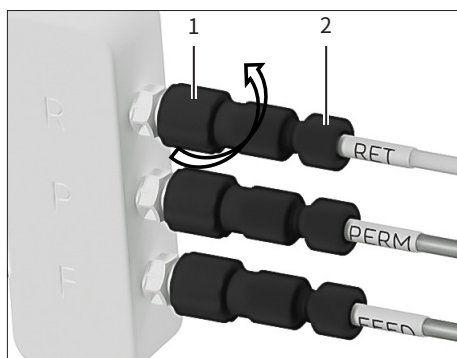


- ▶ 按照控制单元屏幕上的提示执行就地清洁协议。

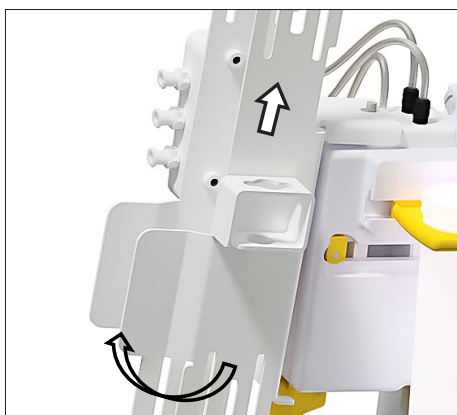
- ▶ 当 CIP 协议完成时：
 - ▶ 旋松 CIP 接头上鲁尔接头 (2) 的鲁尔锁环, 并通过扭转和拉动的方式使接头与 CIP 接头分离。在此过程中, 请紧握鲁尔接头, 而非压缩接头 (1)。
 - ▶ 当 3 个鲁尔接头均成功分离后, 取出 CIP 接头供日后再次使用。
 - ▶ 若使用了过滤器导向器, 请将滞留液和渗透液软管从过滤器导向器侧边拆离。



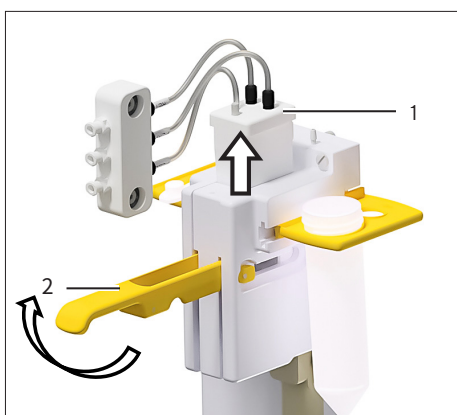
- ▶ 旋松管路接口块上鲁尔接头 (1) 的鲁尔锁环, 并通过扭转和拉动的方式使接头与管路接口块分离。
- ▶ 在此过程中, 请紧握鲁尔接头, 而非压缩接头 (2)。



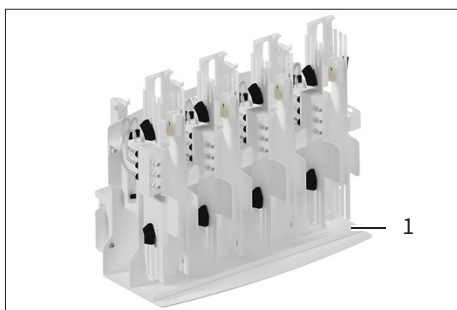
- ▶ 当 3 个鲁尔接头均成功分离后, 取出管组并存放以备下次使用。
- ▶ 若使用了过滤器导向器, 请将其从顶部过滤器夹具上取下。
- ▶ 将管路接口块从支架上拆离, 并将支架从适配器上取下。
- ▶ (可选) 稍微倾斜支架, 确保底部的两个卡爪避开过滤器支架手柄两侧。



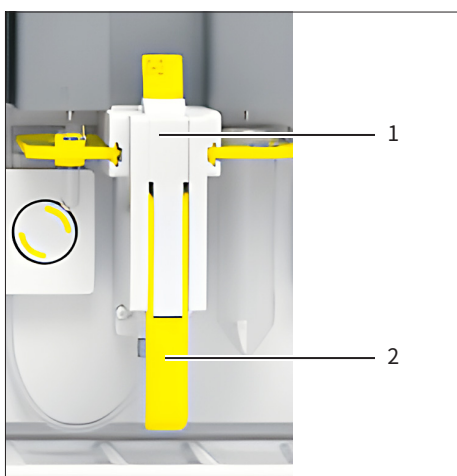
- ▶ 向前拉手柄 (2)。
- ▶ 从 Ambr® Crossflow 过滤器支架上拆下适配器 (1)。



- ▶ 在两次过滤过程之间, 将适配器、支架和过滤器导向器存放在提供的支架 (1) 内。



- ▶ 将压板 (1) 向后推到底。这样将关闭过滤器支架。
- ▶ 将手柄 (2) 推入初始位置。夹子是自动关闭的, 只需要很小的力量就可以使其关闭。
- ▶ 按照控制单元屏幕上的提示进行操作。



7 存放

要求

过滤器已被拆下,并已执行就地清洁(请参阅第 6105 页的“6”一章)。

步骤

- ▶ 断开并妥善存放母鲁尔螺纹盖、母鲁尔转鲁尔锁接头、CIP 接头和管组。
- ▶ 确保将管路和接头内残留的液体彻底排空。
- ▶ 根据环境条件要求(参阅第 9.2 安装场地的环境条件109 页的“9.2 安装场地的环境条件”一章)来存放适配器、支架和过滤器导向器。

8 处置

8.1 去污染信息

该产品不含有任何需要采取特殊处置措施的危险材料。

在工艺过程中使用的培养物和液体(例如,酸、碱)是潜在有害材料,可能存在生物或化学危害。

若产品接触到有害物质,必须采取适当措施对其进行有效去污和申报。操作员负责遵守当地关于运输和处置的正确申报及妥善处置的法规。

警告

因污染的设备引起的伤害危险!

Sartorius 不修理或处置受危险物质污染(核、生物或化学(NBC)污染)的产品。

8.2 处置产品

8.2.1 处置信息

必须由处置设施妥善处置产品和附件。

耗材设计为一次性使用(Hollow Fiber TFF 模块 | 再利用管线除外)。

8.2.2 处置

要求

产品已进行去污。

步骤

- ▶ 处置产品。遵循我们网站(www.sartorius.com)的处置说明。
- ▶ 根据当地法规处置包装。
- ▶ 根据当地法规处置耗材。

9 技术数据

9.1 尺寸及重量

	单位	数值
尺寸(宽 x 深 x 高),带平板式过滤器的单个适配器	mm	76 x 149 x 261
尺寸(宽 x 深 x 高),带短中空纤维过滤器的单个适配器	mm	76 x 127 x 307
尺寸(宽 x 深 x 高),带长中空纤维过滤器的单个适配器	mm	76 x 127 x 452
尺寸(宽 x 深 x 高),带适配器的支架	mm	342 x 182 x 301
总重量(4个适配器,包括包装)	kg	5.5

9.2 安装场地的环境条件

	单位	数值
常规实验室,最高海拔 2000 m		
温度		
运行时的温度	°C	+6 – +40
进行过滤过程时的最大温度波动	°C	± 5
进行过滤过程时的最大温度波动	°C/小时	± 5
相对湿度		
运行时的最大相对湿度	%	60
进行过滤过程时的最大相对湿度波动	%	± 10
进行过滤过程时的最大相对湿度波动	%/小时	± 10
根据 EN 60529 确定的保护等级		IP2X

9.3 经批准的 Sartorius 过滤器

	订单 产品代码
Sartocon® Slice 50	3D91441950ELLPU
	3D91441950MLLPU
	3D91442950ELLPU
	3D91442950MLLPU
	3D91443950ELLPU
	3D91443950MLLPU
	3D91445950ELLPU
	3D91445950MLLPU
	3D91447950ELLPU
	3D91447950MLLPU
	3D91460950ELLPU
	3D91460950MLLPU
	3D91462950ELLPU
	3D91462950MLLPU
	3D91463450ELLPU
	3D91463450MLLPU
	3D91463950ELLPU
	3D91463950MLLPU
	3D91465050ELLPU
	3D91465050MLLPU
	3D91465950ELLPU
	3D91465950MLLPU
	3D91466850ELLPU
	3D91466850MLLPU
	3D91467950ELLPU
	3D91467950MLLPU
Hollow Fiber TFF 模块 一次性使用管线	SU00305DIS12L6
	SU00505DIS12L6
	SU01005DIS12L6
	SU03005DIS12L6
	SU05005DIS12L6
	SU10005DIS12L6
	SU30005DIS12L6
	SU00305DIS24L6
	SU00505DIS24L6
	SU01005DIS24L6
	SU03005DIS24L6
	SU05005DIS24L6
	SU10005DIS24L6
	SU30005DIS24L6

	订单 产品代码
Hollow Fiber TFF 模块 再利用管线	WA00305DIS12L6
	WA00505DIS12L6
	WA01005DIS12L6
	WA03005DIS12L6
	WA05005DIS12L6
	WA10005DIS12L6
	WA30005DIS12L6
	WA00305DIS24L6
	WA00505DIS24L6
	WA01005DIS24L6
	WA03005DIS24L6
	WA05005DIS24L6
	WA10005DIS24L6
WA30005DIS24L6	
中空纤维 TFF 蒸汽管线	AU03005DIS12L6
	AU05005DIS12L6
	AU10005DIS12L6
	AU30005DIS12L6
	AU03005DIS24L6
	AU05005DIS24L6
	AU10005DIS24L6
AU30005DIS24L6	

9.4 其他经批准的过滤器

Repligen MicroKros 中空纤维过滤器

Cytiva Minimate™ TFF Capsule

Cytiva MidGee™ 中空纤维过滤器

Merck Millipore Pellicon® XL 50

10 Sartorius Service

可联系 Sartorius Service 咨询产品问题。有关服务地址以及所提供服务的信息, 或者欲联系当地销售代表, 请访问 Sartorius 网站 (www.sartorius.com)。

咨询有关系统的问题或发生的故障而联系 Sartorius Service 时, 请务必提供产品信息, 例如序列号、硬件、固件或配置。您可以在制造商的 ID 标签上找到该信息。

11 商标信息

Minimate™ 和 MidGee™ 是 Cytiva Sweden AB 的注册商标。

Pellicon® 是 Merck KGaA 的注册商标。

The Automation Partnership (Cambridge) Ltd.
Grantham Close, Royston, Hertfordshire
SG8 5WY, UK

Phone: +44 1763 227200
www.sartorius.com

The information and figures contained in these instructions correspond to the version date specified below.

Sartorius reserves the right to make changes to the technology, features, specifications and design of the equipment without notice.

Masculine or feminine forms are used to facilitate legibility in these instructions and always simultaneously denote all genders.

Copyright notice:

These instructions, including all components, are protected by copyright.

Any use beyond the limits of the copyright law is not permitted without our approval.

This applies in particular to reprinting, translation and editing irrespective of the type of media used.

Last updated:

03 | 2024

© 2024
The Automation Partnership (Cambridge) Ltd.
Grantham Close, Royston, Hertfordshire
SG8 5WY, UK

LH | Publication No.: SPC6079ck240305