

Instructions for Use | Gebrauchsanleitung

# Sartocube<sup>®</sup> | Sartocon<sup>®</sup> | Sartocon<sup>®</sup> Slice | Sartocon<sup>®</sup> Slice 200 Cassettes

White Silicone | Weißes Silikon



1000035949



**SARTORIUS**

English	page	3
Deutsch	Seite	33

# Contents

<b>1</b>	<b>About this Document</b>	<b>4</b>
1.1	Accompanying Documents	5
1.2	Symbols Used	5
<b>2</b>	<b>Shelf Life of Unused Filtration Units</b>	<b>6</b>
<b>3</b>	<b>Safety Instructions</b>	<b>7</b>
<b>4</b>	<b>Components of a Crossflow System</b>	<b>10</b>
<b>5</b>	<b>Start Up of Cassettes</b>	<b>11</b>
5.1	Installing Filter Cassettes in a Holding Device	11
5.2	Clamping Forces	12
5.3	Rinsing Cassettes	13
5.4	Integrity Test	14
5.4.1	Manual Integrity Test	14
5.4.2	Automatic Integrity Test (Pressure Decay)	15
5.5	Determining Clean Water Flux for Filter Cassettes (CWF)	16
5.6	Thermal Sterilization of Filter Cassettes	17
5.6.1	In-Line Steam Sterilization of Sartocon® Microfilter Cassettes	18
5.6.2	In-Line Steam Sterilization of Sartocon® Ultrafilter Cassettes	20
5.6.3	Autoclaving the Filter Cassette	22
5.7	Filtration	23
5.8	Cassette Cleaning	24
5.9	Cassette Disinfection	26
5.10	Cassette Storage	26
5.10.1	Short Term Storage	26
5.10.2	Long Term Storage	27
5.11	Cassette Return Instructions	28
5.12	Disposal	28
<b>6</b>	<b>Technical Data</b>	<b>29</b>
6.1	Technical Specifications Sartocon® Slice 200	29
6.2	Technical Specifications Sartocon® Slice	30
6.3	Technical Specifications Sartocon®	31
6.4	Technical Specifications Sartocube®	32

# 1 About this Document

This user manual provides you with all the information necessary to install the Sartocube®, Sartocon®, Sartocon® Slice and Sartocon® Slice 200 Cassettes. These cassettes will also hereinafter be referred to as product or cassette.

- The user manual informs you about how to operate the product according to the safety requirements.

The user manual must be read, understood and used by all persons entrusted with the installation and use of the product. This applies particularly to the safety instructions listed.

- Please read this user manual carefully and completely before working with the cassette.
- This user manual is part of the product. Keep it in a safe and easily accessible place near the device's site of installation.
- If the manual should be lost or misplaced, please contact Sartorius for a replacement or download the latest version from our website: [www.sartorius.com](http://www.sartorius.com)

In addition to the user manual, all generally valid, legal and otherwise binding regulations for accident protection and environmental protection of the country of use must be observed.

This user manual must always be kept at the place of use of the cassette.

- Any guarantees and warranties shall apply to manufacturing-related defects and malfunctions.
- The device is designed for standard laboratory conditions and techniques.

This user manual describes the product at the time of printing stated in the revision number. All data has been compiled with care, although no guarantee can be given for the data provided. Sartorius Stedim Biotech GmbH reserves the right to make technical changes to the design and equipment of its products or to make changes to the associated documentation without any prior notice or specific mention.

Because Sartorius' products are constantly undergoing further development, some components and their operation may not be described in this manual. This manual may also contain information that does not apply to setup. Please notify us if any information is missing that is important to you, if you find any errors in the content or require more extensive information on specific components.

If you have any questions about our product program or the use of the cassette which are not dealt with in this manual, please contact:

Sartorius Stedim Biotech GmbH  
Crossflow Business Unit  
August-Spindler-Strasse 11  
37079 Goettingen, Germany

Phone +49 551 308 0  
Fax +49 551 308 289  
[info@sartorius.com](mailto:info@sartorius.com)  
[www.sartorius.com](http://www.sartorius.com)

## 1.1 Accompanying Documents

This user manual describes how to install the product along with the standard equipment intended for this purpose.

In addition to these instructions, please observe the user manual for the filter holder.

## 1.2 Symbols Used

As a means of instruction and direct warning against hazards, all text statements to be particularly noted in this user manual will be marked as follows:

---

### **WARNING**

This instruction denotes a possible danger with medium risk that death or severe injury may result if it is not avoided.

---

### **CAUTION**

This symbol denotes a possible danger with risk that moderate or minor injury may result if it is not avoided.

---

### **IMPORTANT**

This symbol denotes a danger with the low risk that could result in property damage if the risk is not avoided.

---

### **ATTENTION**

This symbol indicates that the preservative is not suitable for consumption.

---

### **NOTE**

This symbol

- is an indication of a function or setting on the device.
- that caution should be exercised while working.
- identifies useful information.

---

The following presentations will also be used:

- Texts that follow this mark are lists.
- ▶ Texts that follow this mark describe activities that must be carried out in the specified order.
- ▷ Texts that follow this mark describe the result of an action.
- “ ” Texts in quotes are references to other chapters or sections.
- [ ] Texts following this symbol make reference to other chapters, sections or documents.

## 2 Shelf Life of Unused Filtration Units

The latest date of usage is 3 years from date of manufacture.

The following conditions have to be maintained during storage in order to guarantee full cassette functionality:

---

### **IMPORTANT**

Cassettes must be stored in a closed dry area.

---

### **IMPORTANT**

Temperature has to be between 5°C to 40°C and absolutely frost free.

---

### **IMPORTANT**

No direct solar radiation.

---

### **IMPORTANT**

No direct contact with moisture.

---

### **IMPORTANT**

Any mechanical influence or damage must be prevented.

---

### **IMPORTANT**

Products with damaged packaging should be discarded.

---

## 3 Safety Instructions

---

### **⚠ ATTENTION**

The preservative is not suitable for consumption.

---

### **⚠ CAUTION**

During in-line sterilization of the holding device with hot steam, the entire system becomes very hot. Do not touch any part of the system with your bare hands. If you need to handle any part of the system, wear heavy safety gloves to avoid getting severely burned.

---

### **⚠ CAUTION**

During in-line steam sterilization, hot steam exits from the feed inlet and from the permeate outlets. Keep a safe distance to these outlets and do not try to reach inside them; as there is a serious risk of severe burns.

---

### **IMPORTANT**

Do not apply more than the torque given in [Chapter “5.2 Clamping Forces”, page 12]. Torquing the filter cassettes too tightly will damage them.

---

### **IMPORTANT**

The maximum inlet pressure must not be exceeded [see Chapter “6 Technical Data”, page 29].  
Over pressurizing will damage the filter cassettes.

---

### **IMPORTANT**

Before thermal sterilization, exchange the torque nuts for normal operation to the torque nuts for pressure compensation. These pressure compensation torque nuts keep the torque constant even when the temperature fluctuates. If the pressure compensating torque nuts are not used, the torque will increase beyond the maximum allowable compression during thermal sterilization, causing irreversible damage to the filter cassettes.

---

### **IMPORTANT**

Do not allow any type of filter cassette to dry out to avoid loss of filtration properties.

---

### **IMPORTANT**

Make sure that the filter cassettes you plan to use have the required chemical compatibility before beginning a filtration run in order to avoid damaging the membranes. If you are not sure about the compatibility of a filter cassette with a certain chemical, please consult your nearest Sartorius Stedim Application specialist.

---

### **IMPORTANT**

Do not combine cassettes with white and gray silicone encapsulation in one holding device.

---

### **IMPORTANT**

Avoid abrupt changes in pressure (approximately > 1 bar/sec), such as those that can occur when the pump is switched on or when the valves settings are changed.

---



Fig. 1: Sartocon® Slice 200 Cassette



Fig. 2: Sartocon® Slice Cassette



Fig. 3: Sartocon® Cassette



Fig. 4: Sartocube® Cassette

**NOTE**

Keep vibration to the lowest level that is technologically possible.

**⚠ CAUTION**

The effective torque on hydraulic holding devices should be kept constant, especially when the holding device is installed in a large filtration system.

**IMPORTANT**

The maximum allowable back pressure on the permeate side must not exceed 0.5 bar for Hydrosart® UF and 1 bar for PESU max and Hydrosart® open channel cassettes.

**IMPORTANT**

The outer silicone sealing of cassettes should be washed of with DI water, after submerged storage, before installation into a cassette holding device.

Retentate backpressure is defined as follows:

Permeate pressure is higher than the Retentate pressure

$$P_{perm} > P_{ret} ;$$

$$P_{back} = P_{perm} - P_{ret} .$$

Hydrostatic pressure on the permeate side (height and the inner diameter of the filtrate tubing) has an impact on backpressure. Please make sure that the maximum backpressure is never exceeded.

**Note**

This has to be distinguished from transmembrane pressure.

- Transmembrane pressure (TMP):

$$TMP = [(p_{feed} + p_{ret})/2] - p_{perm}$$

- and from differential pressure:

$$\Delta p = p_{feed} - p_{ret}$$

Feed pressure ( $p_{feed}$ ) and retentate pressure ( $p_{ret}$ ), both measurable with a gauge. Permeate pressure ( $p_{perm}$ ) is the average pressure on the permeate side, measurable with a gauge.

**⚠ CAUTION**

If the possibility of crystalline particles entering the cassettes cannot be completely ruled out (for example, due to abrasion in the pumps), a prefilter must be used.

**IMPORTANT**

Make sure that crystallization caused by changes in temperature or concentration cannot occur during operation or storage.

**⚠ CAUTION**

Do not combine cassettes that have a different feed inlet design. Sartocon® cassettes have alternating oval and round ports.



---

**IMPORTANT**

Install the filter cassettes in the appropriate holding device only. You will need either a Sartocube® Slice, Sartocube® 2 plus or a Sartoflow® holding device, depending on the type and amount of filter cassette you plan to use. If you wish to use holding devices supplied by other manufacturers, you may need to apply a different torque pressure when installing cassettes. To avoid damaging the cassettes, please contact our application specialist.

---

**NOTE**

Make sure that the correct crossflow conditions are maintained during filtration. Otherwise, the flux rate of the filter cassettes will decrease rapidly during filtration under static conditions (dead-ended filtration) [see Chapter "5.7 Filtration", page 23].

---

**IMPORTANT**

The temperature of the retentate must not exceed that given for continuous operation, which is listed in the "Specifications." During crossflow filtration, the temperature will increase over time because the kinetic energy of the pump is transferred to the liquid undergoing filtration. If the temperature increases beyond that indicated in the "Technical Specifications," the pressure resistance of the crossflow system will decrease.

---

**⚠ CAUTION**

You should use a prefilter. This will enhance the flux rate and increase the service life of the filter cassettes.

---

**NOTE**

You should clean the filter cassettes after every filtration run. During filtration a layer caused by fouling builds up on the membranes. Over time, this layer becomes compacted, making it difficult to remove completely. As a result, the flux rate of your filter cassettes will decrease.

---

**NOTE**

All filter cassettes used in one holding device must have identical membranes.

---

**IMPORTANT**

If you do not need to use filter cassettes for a relatively long period, you should store them in a solution that contains a preservative. This will protect the filter cassettes from microbial contamination and from drying out.

---

**⚠ CAUTION**

Do not attempt to operate the filtration system with accessories or spare parts other than those supplied by the original manufacturer. In the event that the filtration system is tampered with in any way, we cannot guarantee or take any responsibility for the performance or safety of the system. This may also endanger the safety of the operator.

---

**⚠ CAUTION**

Use only materials recommended by the manufacturer (e.g. gaskets, tubing or hoses).

---

# 4 Components of a Crossflow System

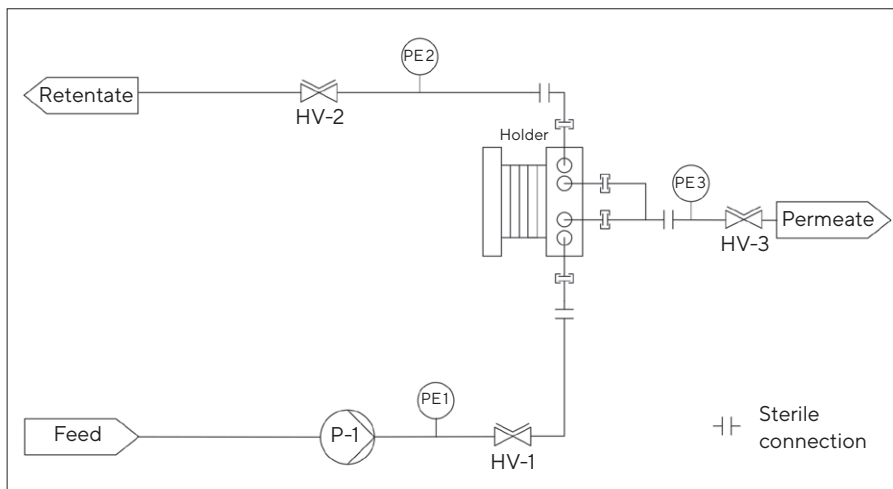


Fig. 5: Diagram

## Holding Device



Fig. 6: Sartocube® Slice 200 (Holder for max. 2 Slice 200 Cassettes) Mat. No. #17525---01



Fig. 7: Sartocube® Slice (for 1-3 Slice Cassette Holder) Mat. No. #17521---001  
Need for No. #: 1ZLI-V0001 additional longspacers to run a Slice 200 cassette



Fig. 8: Sartocube® Slice (for 1-5 Slice Cassette Holder [Sartoflow® Alpha]) Mat. No. #17521---002



Fig. 9: Sartoflow® 2 plus 1-10 Cassettes [Order Nr.: 17546\*]



Fig. 10: Sartoflow® 10 Holder 1-10 Cassettes



Fig. 11: Sartoflow® 20 Holder 2-20 Cassettes

## 5 Start Up of Cassettes

### 5.1 Installing Filter Cassettes in a Holding Device



Fig. 12: Semi-circular cutouts

To install the cassettes in a Sartorius Stedim Biotech holding device, proceed as follows:

- ▶ Remove filter cassette from its packaging.
- ▶ Check and record cassette labelling.
- ▶ Place the filter cassette with the semi-circular cutouts facing downward on the two guide rods between the two holding plates.
- ▶ Alternately tighten the compression nuts until the filter cassette(s) is (are) secured in place by the holding plates.
- ▶ Use a torque wrench to tighten the copression nuts alternately to the torque specified. Please see [Chapter “5.2 Clamping Forces”, page 12,].
- ▶ After 15 minutes, check the torque and, if necessary, re-adjust to the torque specified.



Fig. 13: Sartococon® 2 plus  
[Order Nr.: 17546\*]

#### IMPORTANT

Do not torque the holding device beyond the torque specified.

#### IMPORTANT

Keep the threads of the holding device clean and take special care to avoid contaminating them with grease! If the threading becomes contaminated with grease or dirt, the tensioning forces will be affected and the cassettes may be destroyed.



Fig. 14: Pressure compensating torque nuts

## 5.2 Clamping Forces

### Sartocon® Slice 200 and Sartocon® Slice Holding Device, Manual Closure

Cassette type	Order number	Previous Slice holder and Slice 200 holder	New Slice 200 and Slice holder with trapezoidal thread, PEEK washer and bronze nut (available since July 2014**)	Sterilization*
		Torque applied with a torque wrench	Torque applied with a torque wrench	Torque applied with a torque wrench
Sartocon® Slice 200 and Sartocon® Slice Hydrosart® UF	308144... 305186...	20 Nm	17 Nm	t.b.d.
Sartocon® Slice 200 and Sartocon® Slice PESU UF	308146... 305154...	25 Nm	17 Nm	t.b.d.
Sartocon® Slice 200 and Sartocon® Slice PESU Max	308146AL... 305146AL...	25 Nm	25 Nm	No thermal sterilization
Sartocon® Slice 200 and Sartocon® Slice Hydrosart® MF	308186... 305144...	20 Nm	25 Nm	t.b.d.
Sartocon® Slice 200 and Sartocon® Slice PESU MF	308154... 305146...	25 Nm	17 Nm	t.b.d.

### Sartocon® 2 plus Holding Device, Manual Closure

Cassette type	Order number	Required Compression	Sterilization*	Torque applied on Tie Rods with a Torque Wrench	Sterilization*
		Operating Conditions		Operating Conditions	
Sartocube® and Sartocon® Cassettes	302146...   302154...	18–35 kN	< 10 kN	80 Nm	first notch
PESUmax	302146AL...	21–35 kN	No thermal sterilization	80 Nm	No thermal sterilization
Sartocube® and Sartocon® Hydrosart® MF UF	302144...   302186...	18–25 kN	< 10 kN	60 Nm	first notch

\* List of sterilizable cassettes is available in "Technical Specifications", section 6.1.

### Sartoflow® 10 | Sartoflow® 20 and Sartoflow® Systems with Hydraulic Piston, 12.5 cm<sup>2</sup>

Cassette type	Order number	Required Compression	Sterilization*	Hydraulic Pressure	Sterilization*
			Operating Conditions	Operating Conditions	
Sartocube® and Sartocon® Cassettes	302146...   302154...	18–35 kN	< 10 kN	170 bar (2466 PSI) (17 MPa)	80 bar (1160 PSI) (8 MPa)
PESUmax	302146AL...	21–35 kN	No thermal sterilization	170 bar (2466 PSI) (17 MPa)	No thermal sterilization
Sartocube® and Sartocon® Hydrosart® MF UF	302144...   302186...	18–25 kN	< 10 kN	170 bar (2466 PSI) (17 MPa)	80 bar (1160 PSI) (8 MPa)

\* List of sterilizable cassettes is available in “Technical Data”, section 6.

\*\* After every tenth time of use, the PEEK washers should be replaced. The bronze nut or the trapezoidal thread should be replaced as soon as abrasion is visible. It is essential that the bronze nut and the trapezoidal thread are kept clean.

## 5.3 Rinsing Cassettes

Flush the filter cassettes as indicated below:

- ▶ Before initial use with purified water
- ▶ With buffer or physiological saline before filtration
- ▶ With buffer or physiological saline before cleaning
- ▶ With purified water after cleaning
- ▶ With purified water after disinfection
- ▶ With purified water before checking the functionality of the filter cassettes
- ▶ With purified water before sterilization

### Flush Procedure for Cassettes

The installed cassettes must be flushed with purified water or RO water at the recommended approx. ratio of retentate to permeate flow as listed below.

Cassette Type	Ratio of Retentate to Permeate flow
Ultrafilters 1 kD   2 kD	Approx. 5 : 1
Ultrafilters 5 kD	Approx. 3 : 1
Ultrafilters 8 kD up to 300 kD	Approx. 1 : 1
Microfilters 0.1 $\mu\text{m}$	Approx. 1 : 1
Microfilters 0.2 $\mu\text{m}$ and 0.45 $\mu\text{m}$ and PESUmax	Approx. 1 : 2

The cassette must be flushed with 10 l purified of water per 0.1 m<sup>2</sup> filter area.

## 5.4 Integrity Test

For multiple cassette integrity testing see “#1 Technical Data Package Integrity testing Sartocube® Cassettes”.

The Technical Data Package Integrity testing is available upon request from your local application specialists.

**Ensure the filter cassettes are sufficiently wet before measuring the air diffusion.**

### 5.4.1 Manual Integrity Test

Proceed as follows:

- ▶ Attach a hose to the feed inlet ( $V_1$ ), and connect the other end of the hose to a compressed air source.
- ▶ Close the retentate outlet ( $V_2$ ).
- ▶ Adjust the inlet test pressure  $p_{\text{inlet}}$  to the value specified [see Chapter “6 Technical Data”, page 29], and keep this pressure constant.
- ▶ Close the lower permeate outlet valve  $V_3$ .
- ▶ At a constant inlet pressure  $p_{\text{feed}}$ , wait four minutes until the system has stabilized.
- ▶ Use a flow meter or an inverted burette filled with water to measure the air diffusion at the upper permeate outlet.

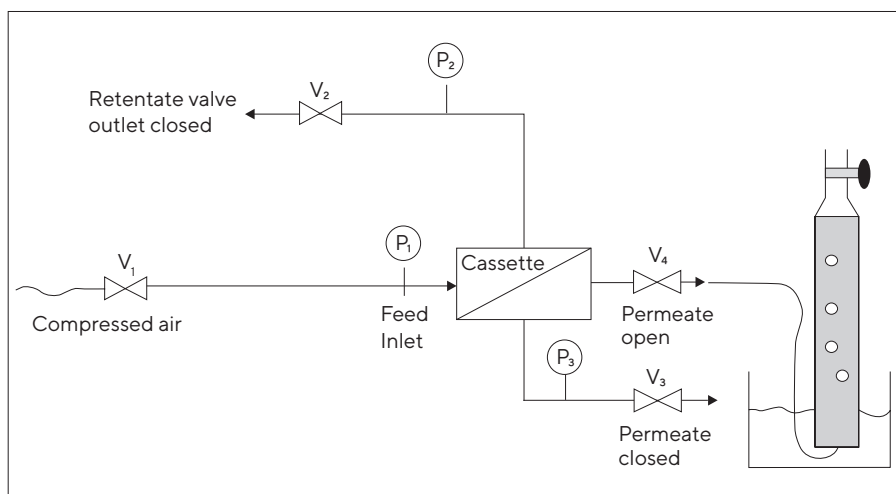
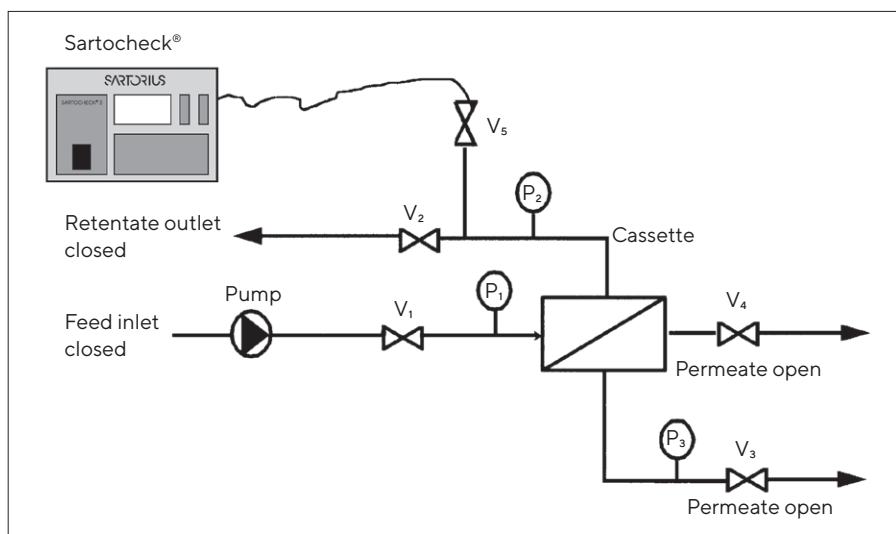


Fig. 15: System set up for manual integrity testing

## 5.4.2 Automatic Integrity Test (Pressure Decay)

Proceed as follows:

- ▶ Connect the integrity tester [such as Sartocube® 3 plus (16290) or Sartocube® 4 Plus (26288)] to the power supply and pressure source.
- ▶ Close the retentate outlet ( $V_2$ ) and open the permeate outlets ( $V_3, V_4$ ). Open  $V_5$  and close  $V_1$ .
- ▶ Enter the required test parameter according to the Sartocube® instruction manual and cassette data.
- ▶ Use the following parameter:
  - stab. time: 4 min.
  - test time: 2 min.
- ▶ Enter the maximum allowable diffusion value [see Chapter "6 Technical Data", page 29].
- ▶ Start the Integrity Test.

Fig. 16: System set up for automatic integrity testing.  $V_1$ - $V_5$ : valves;  $P_1$ - $P_3$ : pressure gauge.

If the hold up volume exceeds 9 l, please contact your Sartorius Stedim application specialist.

## 5.5 Determining Clean Water Flux for Filter Cassettes (CWF)

The water flux test is an easy and non-destructive test that measures the ability of water to pass through the membrane in a specific system setup. Residuals on the membrane surface will impact water flux rates. Determining the water flux rate enables the user to confirm the ability of a cleaning cycle to restore filtration rate of the system. The water flux should be trended over time and evaluated for potential membrane and system changes.

It cannot be used to assess the removal of preservative, cleaning or process residue. Specific analytical techniques are required to quantify residues.

### Determine a clean water flux

Proceed as follows:

- ▶ Rinse new installed cassettes to remove preservatives.
- ▶ Post use sanitization cassettes with 1 N Sodium hydroxide and neutralize.
- ▶ Run the clean water flux with purified water as specified in the table below.
- ▶ Measure retentate rate and permeate rate at constant temperature (20°C).
- ▶ Trend the clean water flux and water flux determined after cleaning to detect membrane and system changes. The clean water flux is used as the base line value.

---

### NOTE

Any changes in water quality, applied pressure, temperature and viscosity, system design and membrane, will have an effect on the water flux.

---

In systems containing more than one Sartocube® or a Sartocube®, the interpretation can be simplified by establishing a baseline for a given set of devices in a given system.

Flow path restriction may not allow performing the flux test with the above-mentioned parameters. In that case a different test pressure should be used to perform a water flux test. Once the parameters are defined they have to remain constant during every test to assure comparability.

### System Pressure Examples for Water Flux Determination:

Cassette Design	Feed Pressure valve open [psi   bar   kPa]	Retentate Pressure [psi   bar   kPa]	Permeate Pressure valve open [psi   bar   kPa]
Sartocube® Slice Cassette and Slice 200	29   2   200	7   0.5   50	0   0   0
Sartocube® Cassette	29   2   200	7   0.5   50	0   0   0
Multiple Sartocube® Cassettes	29   2   200	10-14   0.7-1   70-100	≤ 7   0.5   50
Sartocube® Cassette	29   2   200	10-14   0.7-1   70-100	≤ 7   0.5   50



Although the flux rate of used filter cassettes will normally not be fully regained, the flux rate after use and cleaning should approximate the clean water flux.

Trending the water flux helps to evaluate the cleaning status of the system.

**Cleaning optimization should be considered:**

- If the permeate flux rate is below 70% of the clean water flux.
- If the permeate flux rate decreases from run to run.

In case of further questions please contact our Sartorius Stedim application specialist.

## 5.6 Thermal Sterilization of Filter Cassettes

### IMPORTANT

Check steamability with "Specifications"  
[see Chapter "6 Technical Data", page 29].

### CAUTION

During in-line steam sterilization the entire system, including stainless steel piping and cassette filter holder, will attain > 121°C. Exercise due caution when working around hot equipment.

### IMPORTANT

Please note that steaming in place (SIP), due to high thermal and mechanical stress, may impact the physical properties of a membrane in terms of flow performance and rejection. Therefore multiple use is limited.

### CAUTION

During in-line steam sterilization, hot steam exits from the feed inlet and the permeate outlets. Keep a safe distance away from these outlets.

### IMPORTANT

Before thermal sterilization, exchange the operating torque nuts to the torque nuts for pressure compensation.

This special compensation tool is designed to maintain constant clamp force during thermal sterilization. If the pressure compensation tool is not used, the torque will increase beyond the maximum allowable value as temperature increases. This may cause irreversible damage to the filter cassettes.

### IMPORTANT

Thermal sterilization should only be performed on clean filter cassettes. Contaminants will be irreversibly fixed by thermal sterilization.

### IMPORTANT

The stabilizing pressure inlet air should be sterile filtered.

### IMPORTANT

Make sure that the steam you will be using is of pharmaceutical quality, free of rust and other particles and does not contain any hydrazine.

**IMPORTANT**

Prior to thermal sterilization check the filter cassettes for residual traces of chlorine or disulfide. To denature chlorine, flush with 1% sodium thiosulfate solution followed by flushing with purified water.

**NOTE**

Handling safety is increased if you attach thermal condensate run-off valves to the retentate outlet and to the permeate outlets.

### 5.6.1 In-Line Steam Sterilization of Sartocube® Microfilter Cassettes

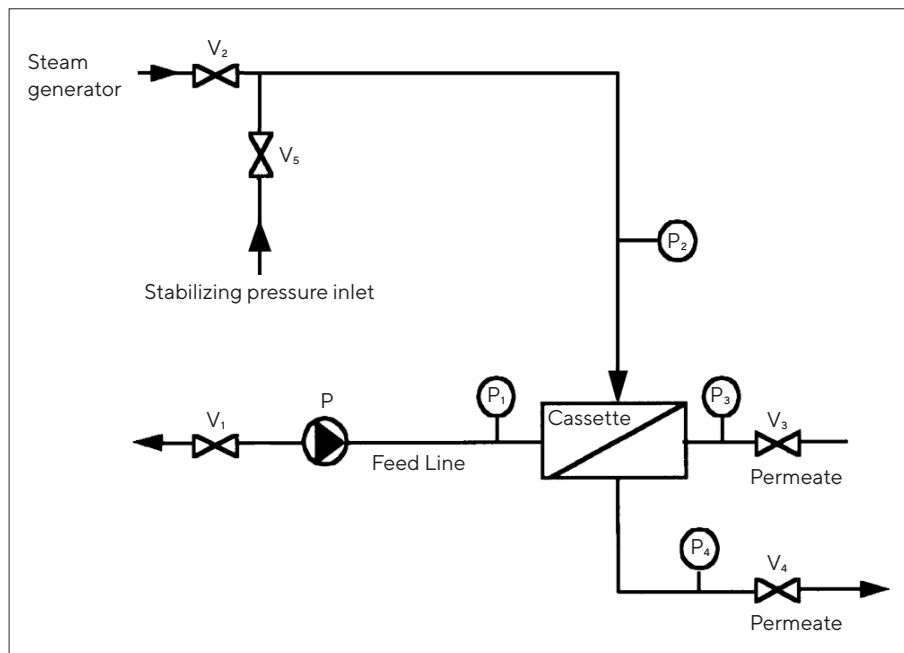


Fig.17: Diagram of the system for in-line steam sterilization of Microfilter cassettes. V<sub>1</sub>-V<sub>5</sub>: valves; P<sub>1</sub>-P<sub>4</sub>: pressure gauge, P: pump

- ▶ Assemble system as shown on the diagram.
- ▶ Open V<sub>2</sub>, V<sub>3</sub>, V<sub>4</sub> and V<sub>1</sub>, close V<sub>5</sub>.
- ▶ Install cassettes into filter holder.
- ▶ Attach a RO water source to the feed line.
- ▶ Rinse cassette with RO water for 5 minutes at an inlet pressure of 29 psi | 2 bar | 200 kPa and retentate pressure of 7 psi | 0.5 bar | 50 kPa. Adjust valve settings to achieve pressure values if needed.
- ▶ Drain the system.
- ▶ Close valve V<sub>2</sub>. Connect V<sub>2</sub> at the retentate line with a steam generator.
- ▶ Exchange the normal operation torque nuts to the pressure compensating torque nuts. For specific information related to the filter holder see user manual of the installed filter holder.
- ▶ Use a torque wrench to tighten the pressure compensation nut to the first notch (see picture).
- ▶ Close valve V<sub>3</sub> and V<sub>4</sub> on the permeate outlets as well as V<sub>5</sub>.
- ▶ Adjust the steam generator pressure to 14.5 psi | 1.0 bar | 100 kPa, and slowly open valve V<sub>2</sub> to initiate steam flow in to the system.

- ▶ We highly recommend the installation of condensate run off valves. The following step has to be incorporated if no condensate run off valves are used. Reduce  $V_1$  valve setting on the feed line to allow a small amount of steam to exit the system. Slowly start to increase pressure build up to 14.5 psi | 1.0 bar | 100 kPa by closing  $V_1$ . A small amount of steam has to remain exiting the system, which means  $V_1$  will not be closed completely.

## IMPORTANT

The feed pressure must not exceed 14.5 psi | 1.0 bar | 100 kPa at 121°C.

## NOTE

If inline pressure gauges are used, please consider that high temperatures may cause the display to be inaccurate. Usually the actual pressure is lower than indicated. Make sure the pressure is correctly monitored during your validation procedure.

Pressure compensating torque nuts

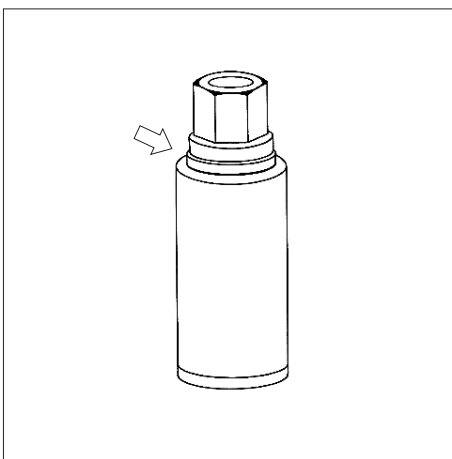


Fig.18: First notch (steaming position)

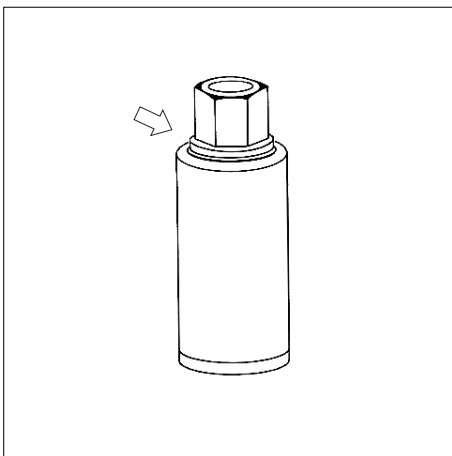


Fig.19: Second notch (processing position)

- ▶ We highly recommend the installation of condensate run off valves. The following step has to be incorporated if no condensate run off valves are used. Once the feed pressure  $P_1$  has reached 14.5 psi | 1.0 bar | 100 kPa slowly start to open the permeate valves  $V_3$  |  $V_4$ . A small amount of steam has to escape from each valve.
- ▶ Once the permeate pressure has reached 14.5 psi | 1.0 bar | 100 kPa the actual sterilization begins.
- ▶ After 30 minutes, sterilization is completed. Close valves  $V_3$  |  $V_4$ .
- ▶ Close valve  $V_1$  on the feed line,  $V_2$  on the retentate line. Open  $V_5$  to apply sterile filtered stabilizing pressure of 14.5 psi | 1.0 bar | 100 kPa. At this point, shut off the steam supply.
- ▶ Allow the holding device to cool down for 90 minutes. During cool down  $V_5$  has to remain open.
- ▶ After 90 minutes cool down time close  $V_5$ .
- ▶ Vent system through upper permeate valve  $V_3$ . Do not open  $V_3$  completely. Only vent excess pressure. If sterile air venting is required, please implement a sterilizing air filter.
- ▶ Using a torque wrench, alternately retighten the stainless steel pressure compensating nuts to the torque indicated [see Chapter "5.2 Clamping Forces", page 12].
- ▶ After steam sterilization is completed flush filter cassettes with RO water until system has reached room temperature, this will also ensure that the membranes will not dry out.

## 5.6.2 In-Line Steam Sterilization of Sartococon® Ultrafilter Cassettes

Ultrafilter cassettes are sterilized through the retentate and the permeate flowpaths simultaneously to maintain equal pressure within the cassette.

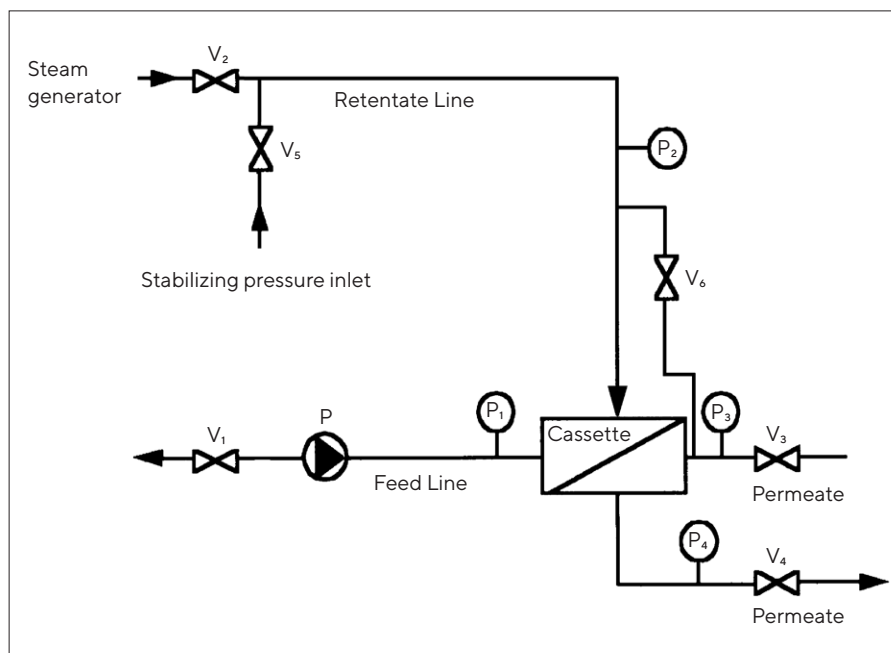


Fig. 20: Diagram of the crossflow system for in-line steam sterilization of polyethersulfone Ultrafilter cassettes. V<sub>1</sub>-V<sub>6</sub>: valves; P<sub>1</sub>-P<sub>4</sub>: pressure gauge, P: pump

- ▶ Assemble system as shown on the diagram.
- ▶ Open V<sub>2</sub>, V<sub>3</sub>, V<sub>4</sub>, V<sub>6</sub> and V<sub>1</sub>, close V<sub>5</sub>.
- ▶ Install cassettes into filter holder.
- ▶ Attach a RO water source to the feed line.
- ▶ Rinse cassette with RO water for 5 minutes at an inlet pressure of 29 psi | 2 bar | 200 kPa and retentate pressure of 7 psi | 0.5 bar | 50 kPa. Adjust valve settings to achieve pressure values if needed.
- ▶ Drain the system.
- ▶ Close valve V<sub>2</sub>. Connect V<sub>2</sub> at the retentate line with a steam generator.
- ▶ Exchange torque the normal operation nuts to the pressure compensating torque nuts. For specific information related to the filter holder see user manual of the installed filter holder.
- ▶ Use a torque wrench to tighten the compensation nut to the first notch (see picture).
- ▶ Open the connection between the retentate and permeate V<sub>6</sub>.
- ▶ Close Valve V<sub>3</sub> and V<sub>4</sub> on the permeate outlets as well as V<sub>5</sub>.
- ▶ Adjust the steam generator pressure to 14.5 psi | 1.0 bar | 100 kPa, and slowly open Valve V<sub>2</sub> to initiate steam flow in to the system.
- ▶ We highly recommend the use of condensate run off valves. The following step has to be incorporated in case no condensate run off valves are used. Reduce V<sub>1</sub> valve setting on the feed line to allow a small amount of steam to exit the system. Slowly start to increase pressure build up to 14.5 psi | 1.0 bar | 100 kPa by partially closing V<sub>1</sub>. A small amount of steam has to remain exiting the system, which means V<sub>1</sub> will not be closed completely.

**IMPORTANT**

The feed pressure must not exceed 14.5 psi | 1.0 bar | 100 kPa at 121°C.

**NOTE**

If inline pressure gauges are used, please consider that high temperatures may cause the display to be inaccurate. Usually the actual pressure is lower than indicated. Make sure the pressure is correctly monitored.

Pressure compensating torque nuts

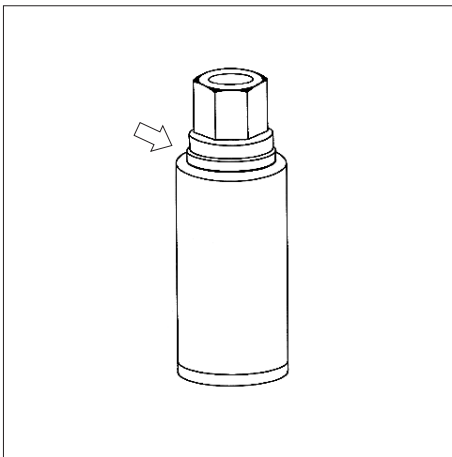


Fig.21: First notch (steaming position)

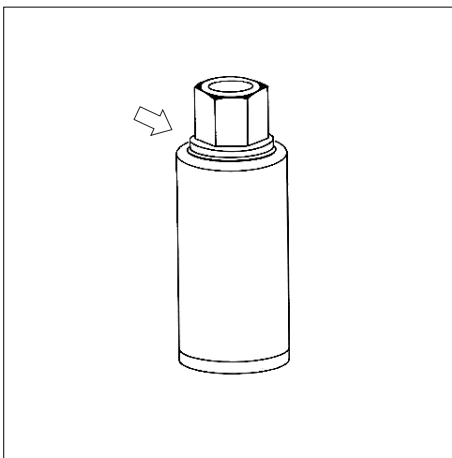


Fig.22: Second notch (processing position)

- ▶ We highly recommend the installation of condensate run off valves. The following step has to be incorporated in case that no condensate run off valves are used. Once the feed pressure  $P_1$  has reached 14.5 psi | 1.0 bar | 100 kPa slowly start to open the permeate valves  $V_3$  |  $V_4$ . A small amount of steam has to escape from each valve.
- ▶ Once the permeate pressure has reached 14.5 psi | 1.0 bar | 100 kPa the actual sterilization begins.
- ▶ After 30 minutes, sterilization is completed. Close valves  $V_3$  |  $V_4$ .
- ▶ Close valve  $V_1$  on the feed line,  $V_2$  on the retentate line. Open  $V_5$  to apply sterile filtered stabilizing pressure of 1 bar. At this point, shut off the steam supply.
- ▶ Allow the holding device to cool down for 90 minutes. During cool down  $V_5$  has to remain open.
- ▶ After 90 minutes cool down time close  $V_5$ .
- ▶ Vent system through upper permeate valve  $V_3$ . Do not open  $V_3$  completely only vent excess pressure. If sterile air venting is required, please implement a sterilizing air filter.
- ▶ Using a torque wrench, alternately retighten the stainless steel pressure compensating nuts to the torque indicated [see Chapter "5.2 Clamping Forces", page 12].
- ▶ After steam sterilization flush filter cassettes with RO water until system has reached room temperature, this will also ensure that the membranes will not dry out.

### 5.6.3 Autoclaving the Filter Cassette

Pressure compensating torque nuts

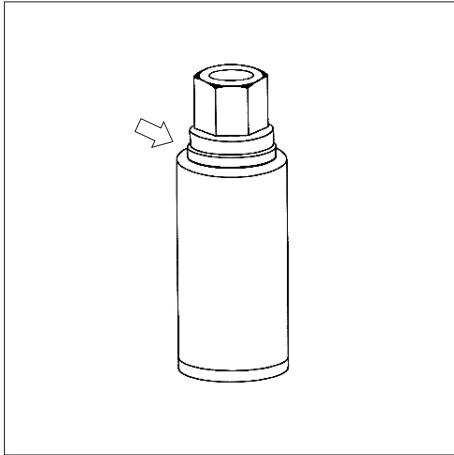


Fig. 23: First notch (steaming position)

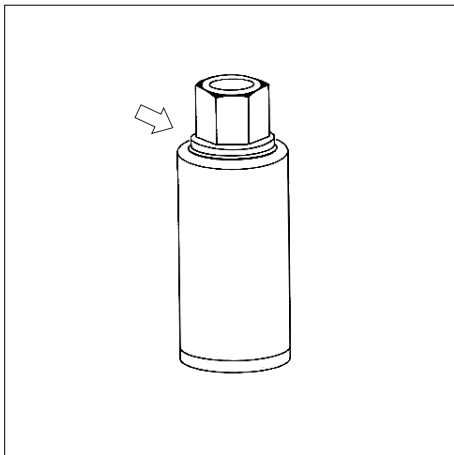


Fig. 24: Second notch (processing position)

- ▶ Tighten the filter cassettes along with the pressure compensation nuts of the holding device.
- ▶ Flush the filter cassettes with purified water as described under "Rinsing Cassettes" section 2.3.
- ▶ Use the torque wrench to tighten the pressure compensation nuts alternately up to the first notch (autoclaving position).
- ▶ Connect a hose to each connection of the holding device.
- ▶ Place the holding device in the autoclave.
- ▶ Fill the hoses with purified water. Immerse all hose ends in a container filled with 5 l of purified water. Place this container in the autoclave as well. This will prevent the filter cassettes from drying out during autoclaving.
- ▶ Start the autoclave. To avoid damage of the filter cassette, autoclave the system without final vacuum.
- ▶ Autoclave the holding device and filter cassettes for 30 min. at 121°C.
- ▶ Seal the ends of the hoses immediately after you have opened the autoclave. For this purpose, you can use either hose clamps or valves. This will prevent contamination and will protect the filter cassettes from drying out.
- ▶ Allow the holding device to cool off.
- ▶ Use the torque wrench to tighten the pressure compensation nuts alternately up to the second notch [see Chapter "5.9 Cassette Disinfection", page 26].

## 5.7 Filtration

A critical time during crossflow filtration is at start up. The process fluid to be filtered initially contacts the clean membrane surface. Until the desired steady state processing conditions are attained, a higher than expected permeate flux rate will prevail. This is especially true for microfiltration.

Please consider:

- Partly close permeate valve to limit permeate flow.

Starting a Crossflow filtration process:

- ▶ Prime the permeate and retentate areas with one of the liquids listed below:
  - Isotonic physiological saline
  - Processing buffer

To prime the system using one of the liquids listed above, follow the directions given in [Chapter “5.3 Rinsing Cassettes”, page 13].

- ▶ Reduce permeate outlet valves setting to allow a small amount of fluid to exit.
- ▶ Generate the desired crossflow rate.
- ▶ Open the permeate outlet valve until the desired TMP is attained.
- ▶ Make sure that the desired crossflow rate is maintained during the complete process.
- ▶ Reset the desired process TMP if required.

---

### IMPORTANT

The pressure at the feed inlet  $p_{\text{inlet}}$  must not exceed 58 psi | 4 bar.

---

### IMPORTANT

The maximum allowable backpressure for all cassettes is:  
< 14 psi | 1.0 bar | 100 kPa. Except for Hydrosart® UF.

---

### NOTE

During filtration, the crossflow rate should be held constant.  
Viscosity increase during filtration will increase the inlet pressure.

---

- ▶ At the end of filtration, flush the system  
[see Chapter “5.3 Rinsing Cassettes”, page 13].
- ▶ After flushing, clean the system  
[see Chapter “5.8 Cassette Cleaning”, page 24].

## 5.8 Cassette Cleaning

### NOTE

Filter cassettes should be cleaned after every filtration run to prevent a sediment layer build-up on the membrane and in the retentate channels. Over time, this layer becomes compacted, making it difficult to remove completely. As a result, this will decrease the flux rate of your filter cassettes and reduce their lifespan.

We recommend the following cleaning agents and conditions for the various membrane materials. This table gives suggested procedures only; requirements may vary in individual cases:

Cleaning agent	Concentration	pH	Time [min]	Temperature [°C]
Polyethersulfone and Hydrosart® Sodium hydroxide	1 N	14	60	50
Phosphoric acid	2% by weight	1.3	30	50

Adjust the following pressures:

$$p_{\text{inlet}} = 29 \text{ psi} | 2.0 \text{ bar} | 200 \text{ kPa}$$

$$p_{\text{ret}} = 0 \text{ psi} | 0 \text{ bar} | 0 \text{ kPa}$$

#### Microfilter cassettes:

Recirculate cleaning solution with permeate valves closed for 60 minutes. Repeat with fresh cleaning solution and permeate valve open. Repeat as required.

#### Ultrafilter cassettes:

Recirculate cleaning solution with permeate valves open for 60 minutes. Repeat as required.

Flush the filter cassettes with purified water as described in [Chapter "5.3 Rinsing Cassettes", page 13]. Determine the flux rate of the cleaned cassette as described in [Chapter "5.5 Determining Clean Water Flux for Filter Cassettes (CWF)", page 16]. Compare results with the previously determined clean water flux (CWF). It is normal to have a greater drop in clean water flux rate after the first processing and complete cleaning. Good cleaning practice will result in less water flux deviation.

If the flux rate remains below this level after further cleaning attempts, please contact your local Sartorius Stedim application specialist.



Generally, the Sartorius Stedim Biotech product and material limitations, especially regarding pH and temperature stability of the membranes and cassettes, must be adhered to.

Detection Method of NaOH cleaning agent clearance:

- Neutral pH effluent in both retentate and permeate.
- Conductivity.

**Example of a basic cleaning protocol for Hydrosart® Microfilters:**

Step 1:

Flush the filter cassettes with isotonic saline for 5 min. at room temperature.

Conditions:

$p_{in}$  = 36.3 psi | 2.5 bar | 250 kPa

$p_{ret}$  = 0 psi | 0 bar | 0 kPa

$p_{per}$  = closed; open after 4 min.

Step 2:

Recirculate 1 NaOH at 50°C for 10 min.

Conditions:

$p_{in}$  = 29 psi | 2.0 bar | 200 kPa

$p_{ret}$  = 0 psi | 0 bar | 0 kPa

$p_{per}$  = open

Step 3:

Recirculate 1 N NaOH at room temperature for 10 min; then flush the filter cassettes with the same batch of sodium hydroxide.

Conditions:

$p_{in}$  = 29 psi | 2.0 bar | 200 kPa

$p_{ret}$  = 0 psi | 0 bar | 0 kPa

$p_{per}$  = closed; open after 4 min.

Step 4:

Flush with purified water until the pH is neutral.

Conditions:

$p_{in}$  = 29 psi | 2.0 bar | 200 kPa

$p_{ret}$  = 14.5 psi | 1.0 bar | 100 kPa

$p_{per}$  = 7.3 psi | 0.5 bar | 50 kPa

## 5.9 Cassette Disinfection

### IMPORTANT

Always disinfect clean filter cassettes only. Formaldehyde can denature proteins. As a result the protein might be irreversibly fixed to the membrane, which will result in flux decay.

Disinfectant	Concentration	Time	Temperature
Polyethersulfone and Hydrosart® Formaldehyde	2-3% by weight	30 min	20-30°C
NaOH	1 N	30 min	40°C

Adjust the following pressures:

$p_{in}$  = 29 psi | 2.0 bar | 200 kPa

$p_{ret}$  = 7.3 psi | 0.5 bar | 50 kPa

$p_{per}$  = 0 psi | 0 bar | 0 kPa

Recirculate the disinfectant through the cassette(s).

**The disinfectant must flow through both permeate outlets.**

Afterwards, flush the filter cassette(s) with purified water as described in [Chapter "5.3 Rinsing Cassettes", page 13].

## 5.10 Cassette Storage

### IMPORTANT

Sartorius Stedim Biotech filter cassettes can be stored after use. To avoid microbial contamination preservatives have to be used.

### IMPORTANT

All membranes will lose their filtration performance if allowed to dry out or freeze. Always store filter cassettes in moist condition.

### 5.10.1 Short Term Storage

We recommend the following preservatives for cassettes assembled in a holder short term storage (up to 8 weeks):

Preservative	Concentration
Formaldehyde	2-3% by weight
Ethanol	20% by weight*
Do not use denatured alcohol	
NaOH	0.1 N

\* Hydrosart® can be stored in Etanol 20-40% by weight

For short term storage proceed as follows:

- ▶ Clean the filter cassettes [see Chapter “5.9 Cassette Disinfection”, page 26].
- ▶ Recirculate the preservative for 5 minutes through the system at the same flow rate used to flush the filter cassettes. The preservative must flow through both permeate outlets.
- ▶ Close feed inlet, retentate outlet and both permeate outlets.
- ▶ Do not allow the cassettes to dry out or freeze.

## 5.10.2 Long Term Storage

We recommend the following preservatives for cassette storage outside of the holder:

Preservative	Concentration
Formaldehyde	2-3% by weight
Ethanol Do not use denatured alcohol	20% by weight*
NaOH	0.1 N PESU and Hydrosart® up to 12 months

\* Hydrosart® can be stored in 20-40% by weight Ethanol

For long term storage proceed as follows:

- ▶ Clean the filter cassettes [see Chapter “5.9 Cassette Disinfection”, page 26].
- ▶ Recirculate the preservative for 5 minutes through the system at the same flow rate used to flush the filter cassettes. The preservative must flow through both permeate outlets.
- ▶ Remove the filter cassette from the holding device.
- ▶ Store the filter cassettes in a closed container or bag as follows:
  - Plastic bag:  
Seal the filter cassette together with 50 ml of preservative into the bag.
  - Container:  
Pour preservative over the filter cassette until it is completely immersed, then close the container.

After Storage in NaOH, the storage solution has to be washed from the outer surface with purified water before installation into a holding device.

## 5.11 Cassette Return Instructions

If you would like to send cassettes to Sartorius Stedim Biotech for review, please ensure the following:

- that the customer service is contacted, who will provide you with a return authorization form;
- that the cassettes have been completely cleaned [see Chapter “5.8 Cassette Cleaning”, page 24];
- that the cassettes have been disinfected;
- that the cassettes are provided with the following information:
  - the medium that was filtered using the cassettes;
  - any errors that were observed;
  - the operating parameters in use at the time of filtration:
    - pressure settings
    - operating time
    - process cycles
    - cleaning conditions
    - operating temperature
  - cleaning method used;
  - number of cleaning cycles;
  - disinfecting agent used.

## 5.12 Disposal

If non-hazardous residual impurities are present, the EWC waste code 150203 (European Waste Catalogue) for absorbents and filter materials, wiping cloths and protective clothing can be applied. If the filters are contaminated with hazardous materials, the EWC waste code 150202\* for absorbents and filter materials contaminated with hazardous materials should be used. If you are uncertain, contact your waste disposal authority.

## 6 Technical Data

### 6.1 Technical Specifications Sartocube® Slice 200

#### Sartocube® Slice 200 Ultrafiltration Cassettes

Membrane material	Nominal molecular weight cutoff [NMWCO]	Order number	Effective filtration area [m <sup>2</sup> ]	pH stability	Thermal sterilization	Maximum p <sub>feed</sub> [bar] at 20°C	Maximum temp. [°C] for continuous operation	Air diffusion value [m <sup>3</sup> /min] at p <sub>feed</sub> = 14.5 psi   1 bar	Integral Frame	Preservation <sup>1)</sup>
Polyether-sulfone (PESU)	1 kD	3081460902E--SW	0.02	1-14	No	4	50	≤ 1.0	PVDF	Glycerin
	5 kD	3081462902E--SW	0.02	1-14	No	4	50	≤ 1.0	PVDF	Glycerin
	8 kD	3081463402E--SW	0.02	1-14	No	4	50	≤ 1.0	PVDF	Ethanol
	10 kD	3081463902E--SW	0.02	1-14	No	4	50	≤ 1.0	PVDF	Ethanol
	Albumin	308146AL02K--SW	0.02	1-14	No	4	50	≤ 2.0	PVDF	Ethanol
	30 kD	3081465902E--SW	0.02	1-14	No	4	50	≤ 1.0	PVDF	Ethanol
	50 kD	3081465002E--SW	0.02	1-14	No	4	50	≤ 1.0	PVDF	Ethanol
	100 kD	3081466802E--SW	0.02	1-14	No	4	50	≤ 1.0	PVDF	Glycerin
	300 kD	3081467902E--SW	0.02	1-14	No	4	50	≤ 1.0	PVDF	Glycerin
Hydrosart®	2 kD	3081441902E--SW	0.02	2-14	No	4	50	≤ 1.0	PVDF	Ethanol
	5 kD	3081442902E--SW	0.02	2-14	No	4	50	≤ 1.0	PVDF	Ethanol
	10 kD	3081443902E--SW	0.02	2-14	No	4	50	≤ 1.0	PVDF	Ethanol
	30 kD	3081445902E--SW	0.02	2-14	No	4	50	≤ 1.0	PVDF	Ethanol
	100 kD	3081446802E--SW	0.02	2-14	No	4	50	≤ 1.0	PVDF	Ethanol
	300 kD	3081447902E--SW	0.02	2-14	No	4	50	≤ 1.0	PVDF	Ethanol

#### Sartocube® Slice 200 Microfiltration Cassettes

Membrane material	Pore size [µm]	Order number	Effective filtration area [m <sup>2</sup> ]	pH stability	Thermal sterilization	Maximum p <sub>feed</sub> [bar] at 20°C	Maximum temp. [°C] for continuous operation	Air diffusion value [m <sup>3</sup> /min] at p <sub>feed</sub> = 14.5 psi   1 bar	Integral Frame	Preservation <sup>1)</sup>
Polyether-sulfone (PESU)	0.1	3081545802W--SW	0.02	1-14	No	4	50	≤ 1.5	PVDF	Ethanol
Hydrosart®	0.2	3081860602W--SW	0.02	2-14	No	4	50	≤ 1.5	PVDF	Ethanol
	0.45	3081860702W--SW	0.02	2-14	No	4	50	≤ 1.5	PVDF	Ethanol

<sup>1)</sup> The preservation liquid is either Ethanol 20-24% by weight or Glycerin.

## 6.2 Technical Specifications Sartocube® Slice

### Sartocube® Slice Ultrafiltration Cassettes

Membrane material	Nominal molecular weight cutoff [NMWCO]	Order number	Effective filtration area [m <sup>2</sup> ]	pH stability	Thermal sterilization	Maximum p <sub>feed</sub> [bar] at 20°C	Maximum temp. [°C] for continuous operation	Air diffusion value [ml/min] at p <sub>feed</sub> = 14.5 psi   1 bar	Integral Frame	Preservation <sup>1)</sup>
Polyether-sulfone (PESU)	1 kD	3051460901E--SW	0.1	1-14	No	4	50	≤ 15	PVDF	Glycerin
	5 kD	3051462901E--SW	0.1	1-14	No	4	50	≤ 15	PVDF	Glycerin
	8 kD	3051463401E--SW	0.1	1-14	No	4	50	≤ 15	PVDF	Ethanol
	10 kD	3051463901E--SW	0.1	1-14	No	4	50	≤ 15	PVDF	Ethanol
	Albumin	305146AL01K--SW	0.1	1-14	No	4	50	≤ 5	PVDF	Ethanol
	30 kD	3051465901E--SW	0.1	1-14	No	4	50	≤ 15	PVDF	Ethanol
	50 kD	3051465001E--SW	0.1	1-14	No	4	50	≤ 15	PVDF	Ethanol
	100 kD	3051466801E--SW	0.1	1-14	No	4	50	≤ 15	PVDF	Glycerin
	300 kD	3051467901E--SW	0.1	1-14	No	4	50	≤ 15	PVDF	Glycerin
Hydrosart®	2 kD	3051441901E--SW	0.1	2-14	No	4	50	≤ 5	PVDF	Ethanol
	5 kD	3051442901E--SW	0.1	2-14	No	4	50	≤ 5	PVDF	Ethanol
	10 kD	3051443901E--SW	0.1	2-14	No	4	50	≤ 5	PVDF	Ethanol
	30 kD	3051445901E--SW	0.1	2-14	No	4	50	≤ 5	PVDF	Ethanol
	100 kD	3051446801E--SW	0.1	2-14	No	4	50	≤ 5	PVDF	Ethanol
	300 kD	3051447901E--SW	0.1	2-14	No	4	50	≤ 5	PVDF	Ethanol

### Sartocube® Slice Microfiltration Cassettes

Membrane material	Pore size [µm]	Order number	Effective filtration area [m <sup>2</sup> ]	pH stability	Thermal sterilization*	Maximum p <sub>feed</sub> [bar] at 20°C	Maximum temp. [°C] for continuous operation	Air diffusion value [ml/min] at p <sub>feed</sub> = 14.5 psi   1 bar	Integral Frame	Preservation <sup>1)</sup>
Polyether-sulfone (PESU)	0.1	3051545801W--SW	0.1	1-14	Yes	4	50	≤ 15	PVDF	Ethanol
Hydrosart®	0.2	3051860701W--SW	0.1	2-14	Yes	4	50	≤ 15	PVDF	Ethanol
	0.45	3051860601W--SW	0.1	2-14	Yes	4	50	≤ 15	PVDF	Ethanol

<sup>1)</sup> The preservation liquid is either Ethanol 20–24% by weight or Glycerin.

## 6.3 Technical Specifications Sartocube®

### Sartocube® Ultrafiltration Cassettes

Membrane material	Nominal molecular weight cutoff [NMWCO]	Order number	Effective filtration area [m <sup>2</sup> ]	pH stability	Thermal sterilization	Maximum p <sub>feed</sub> [bar] at 20°C	Maximum temp. [°C] for continuous operation	Air diffusion value [ml/min] at p <sub>feed</sub> = 14.5 psi   1 bar	Integral Frame	Preservation <sup>1)</sup>
Polyether-sulfone (PESU)	1 kD	3021460907E--SW	0.7	1-14	No	4	50	≤ 50	PVDF	Glycerin
	5 kD	3021462907E--SW	0.7	1-14	No	4	50	≤ 50	PVDF	Glycerin
	8 kD	3021463407E--SW	0.7	1-14	No	4	50	≤ 50	PVDF	Ethanol
	10 kD	3021463907E--SW	0.7	1-14	No	4	50	≤ 50	PVDF	Ethanol
	Albumin	302146AL07K--SW	0.7	1-14	No	4	50	≤ 20	PVDF	Ethanol
	30 kD	3021465907E--SW	0.7	1-14	Yes	4	50	≤ 50	PVDF	Ethanol
	50 kD	3021465007E--SW	0.7	1-14	No	4	50	≤ 50	PVDF	Ethanol
	100 kD	3021466807E--SW	0.7	1-14	Yes	4	50	≤ 50	PVDF	Glycerin
	300 kD	3021467907E--SW	0.7	1-14	Yes	4	50	≤ 50	PVDF	Glycerin
Hydrosart®	2 kD	3021441906E--SW	0.6	2-14	Yes	4	50	≤ 15	PVDF	Ethanol
	5 kD	3021442906E--SW	0.6	2-14	Yes	4	50	≤ 15	PVDF	Ethanol
	10 kD	3021443906E--SW	0.6	2-14	Yes	4	50	≤ 15	PVDF	Ethanol
	30 kD	3021445906E--SW	0.6	2-14	Yes	4	50	≤ 15	PVDF	Ethanol
	100 kD	3021446806E--SW	0.6	2-14	Yes	4	50	≤ 15	PVDF	Ethanol
	300 kD	3021447906E--SW	0.6	2-14	Yes	4	50	≤ 15	PVDF	Ethanol

### Sartocube® Microfiltration Cassettes

Membrane material	Pore size [µm]	Order number	Effective filtration area [m <sup>2</sup> ]	pH stability	Thermal sterilization*	Maximum p <sub>feed</sub> [bar] at 20°C	Maximum temp. [°C] for continuous operation	Air diffusion value [ml/min] at p <sub>feed</sub> = 14.5 psi   1 bar	Integral Frame	Preservation <sup>1)</sup>
Polyether-sulfone (PESU)	0.1	3021545806W--SW	0.6	1-14	Yes	4	50	≤ 15	PVDF	Ethanol
Hydrosart®	0.2	3021860706W--SW	0.6	2-14	Yes	4	50	≤ 50	PVDF	Ethanol
	0.45	3021860606W--SW	0.6	2-14	Yes	4	50	≤ 50	PVDF	Ethanol

<sup>1)</sup> The preservation liquid is either Ethanol 20–24% by weight or Glycerin.

## 6.4 Technical Specifications Sartocube®

### Sartocube® Ultrafiltration Cassettes

Membrane material	Nominal molecular weight cutoff [NMWCO]	Order number	Effective filtration area [m <sup>2</sup> ]	pH stability	Thermal sterilization	Maximum p <sub>feed</sub> [bar] at 20°C	Maximum temp. [°C] for continuous operation	Air diffusion value [ml/min] at p <sub>feed</sub> = 14.5 psi   1 bar	Integral Frame	Preservation <sup>1)</sup>
Polyether-sulfone (PESU)	1 kD	3021460935E-BSW*	3.5	1-14	No	4	50	≤ 50	PVDF	Glycerin
	5 kD	3021462935E-BSW*	3.5	1-14	No	4	50	≤ 50	PVDF	Glycerin
	8 kD	3021463435E-BSW*	3.5	1-14	No	4	50	≤ 50	PVDF	Ethanol
	10 kD	3021463935E-BSW	3.5	1-14	No	4	50	≤ 50	PVDF	Ethanol
	Albumin	302146AL35K-BSW	3.5	1-14	No	4	50	≤ 50	PVDF	Ethanol
	30 kD	3021465935E-BSW	3.5	1-14	Yes	4	50	≤ 50	PVDF	Ethanol
	50 kD	3021465035E-BSW	3.5	1-14	No	4	50	≤ 50	PVDF	Ethanol
	100 kD	3021466835E-BSW	3.5	1-14	Yes	4	50	≤ 50	PVDF	Glycerin
	300 kD	3021467935E-BSW	3.5	1-14	Yes	4	50	≤ 50	PVDF	Glycerin
Hydrosart®	2 kD	3021441930E-BSW	3.0	2-14	No	4	50	≤ 50	PVDF	Ethanol
	5 kD	3021442930E-BSW	3.0	2-14	No	4	50	≤ 50	PVDF	Ethanol
	10 kD	3021443930E-BSW	3.0	2-14	No	4	50	≤ 50	PVDF	Ethanol
	30 kD	3021445930E-BSW	3.0	2-14	No	4	50	≤ 50	PVDF	Ethanol
	100 kD	3021446830E-BSW	3.0	2-14	No	4	50	≤ 50	PVDF	Ethanol
	300 kD	3021447930E-BSW	3.0	2-14	No	4	50	≤ 50	PVDF	Ethanol

### Sartocube® Microfiltration Cassettes

Membrane material	Pore size [µm]	Order number	Effective filtration area [m <sup>2</sup> ]	pH stability	Thermal sterilization	Maximum p <sub>feed</sub> [bar] at 20°C	Maximum temp. [°C] for continuous operation	Air diffusion value [ml/min] at p <sub>feed</sub> = 14.5 psi   1 bar	Integral Frame	Preservation <sup>1)</sup>
Polyether-sulfone (PESU)	0.1	3021545830W-BSW	3.0	1-14	Yes	4	50	≤ 50	PVDF	Ethanol
Hydrosart®	0.2	3021860730W-BSW	3.0	2-14	Yes	4	50	≤ 100	PVDF	Ethanol
	0.45	3021860630W-BSW	3.0	2-14	Yes	4	50	≤ 100	PVDF	Ethanol

<sup>1)</sup> The preservation liquid is either Ethanol 20–24% by weight or Glycerin.

\* Not available.



# Inhalt

<b>1</b>	<b>Über dieses Dokument</b>	<b>34</b>
1.1	Mitgeltende Dokumente	35
1.2	Darstellungsmittel	35
<b>2</b>	<b>Mindesthaltbarkeit ungebrauchter Cassetten</b>	<b>36</b>
<b>3</b>	<b>Sicherheitshinweise</b>	<b>37</b>
<b>4</b>	<b>Das gehört zu einem vollständigen Crossflow-System</b>	<b>40</b>
<b>5</b>	<b>Inbetriebnahme der Cassetten</b>	<b>41</b>
5.1	Cassetten in die Einspannvorrichtungen einbauen	41
5.2	Einspannkräfte	42
5.3	Spülvorgang	43
5.4	Integritätstest	44
5.4.1	Integritätstest manuell	44
5.4.2	Automatischer Integritätstest (Druckabfalltest)	45
5.5	Wasserwerte der Cassetten bestimmen	46
5.6	Thermische Sterilisation der Filtercassetten	48
5.6.1	Mikrofiltrations-Cassetten in-line bedampfen	49
5.6.2	Ultrafiltrations-Cassetten in-line bedampfen	51
5.6.3	Cassetten autoklavieren	53
5.7	Filtrieren	54
5.8	Cassetten reinigen	55
5.9	Cassetten desinfizieren	56
5.10	Cassetten lagern	57
5.10.1	Kurzfristige Lagerung	57
5.10.2	Langfristige Lagerung	58
5.11	Hinweise zur Reklamation	59
5.12	Entsorgung	59
<b>6</b>	<b>Technische Daten</b>	<b>60</b>
6.1	Technische Spezifikationen Sartocoon® Slice 200	60
6.2	Technische Spezifikationen Sartocoon® Slice	61
6.3	Technische Spezifikationen Sartocoon®	62
6.4	Technische Spezifikationen Sartocube®	63

# 1 Über dieses Dokument

Diese Bedienungsanleitung liefert Ihnen alle Informationen, die Sie für die Installation der Sartocube®, Sartocon®, Sartocon® Slice und Sartocon® Slice 200 Cassettes benötigen. Diese Cassetten werden im Folgenden auch Produkt oder Cassette genannt.

- Die Bedienungsanleitung informiert Sie wie Sie das Produkt sicherheitsgerecht einsetzen.

Die Bedienungsanleitung muss von allen Personen gelesen, verstanden und angewendet werden, die mit dem Einbau und der Nutzung des Produkts beauftragt sind. Das gilt insbesondere für die aufgeführten Sicherheitshinweise.

- Lesen sie diese Bedienungsanleitung aufmerksam und vollständig durch, bevor Sie mit der Cassette arbeiten.
- Diese Bedienungsanleitung ist Teil des Produkts. Bewahren Sie sie gut erreichbar und sicher am Einsatzort des Geräts auf.
- Bei Verlust der Bedienungsanleitung können Sie Ersatz anfordern oder die aktuelle Anleitung von der Sartorius Website herunterladen: [www.sartorius.com](http://www.sartorius.com)

Ergänzend zur Bedienungsanleitung sind allgemeingültige, gesetzliche und sonstige verbindliche Regelungen zur Unfallverhütung und zum Umweltschutz des Anwenderlands zu beachten.

Die Bedienungsanleitung ist ständig am Einsatzort der Cassette aufzubewahren.

- Die Gewährleistung gilt für fertigungsbedingte Fehler und Funktionsmängel.
- Das Gerät ist für übliche Laborbedingungen und Techniken ausgelegt.

Die Bedienungsanleitung beschreibt das Produkt zu dem bei der Revisions-Nr. angegebenen Zeitpunkt der Druckausgabe. Alle Angaben wurden sorgfältig zusammengestellt, erfolgen jedoch ohne Gewähr. Die Sartorius Stedim Biotech GmbH behält sich Änderungen in Aufbau und Ausstattung ihrer Produkte sowie der zugehörigen Dokumentationen vor, ohne gesondert darauf hinzuweisen.

Aufgrund der ständigen Weiterentwicklung der Produkte besteht die Möglichkeit, dass einzelne Bauteile bzw. ihre Bedienung nicht beschrieben sind. Auch können Angaben enthalten sein, die für Ihre Installation nicht zutreffen. Sollten für Sie wichtige Informationen fehlen, sollten Sie sachliche Fehler finden oder ausführlichere Informationen zu einzelnen Bauteilen wünschen, weisen Sie uns bitte darauf hin. Wenn Sie Fragen zu unserem Produktprogramm oder zum Umgang mit der Cassette haben, die in dieser Bedienungsanleitung nicht beantwortet werden, wenden Sie sich an:

Sartorius Stedim Biotech GmbH  
Geschäftsbereich Crossflow  
August-Spindler-Straße 11  
37079 Göttingen, Germany

Telefon +49 551 308 0  
Fax +49 551 308 289  
[info@sartorius.com](mailto:info@sartorius.com)  
[www.sartorius.com](http://www.sartorius.com)

## 1.1 Mitgeltende Dokumente

Diese Bedienungsanleitung beschreibt die Installation des Produkts mit den dafür vorgesehenen Standardausrüstungen.

Beachten Sie ergänzend zu dieser Anleitung die Bedienungsanleitung des Filterhalters.

## 1.2 Darstellungsmittel

Als Hinweis und zur direkten Warnung vor Gefahren sind besonders zu beachtende Textaussagen in dieser Bedienungsanleitung wie folgt gekennzeichnet:

---

### **WARNUNG**

Dieser Hinweis kennzeichnet eine mögliche Gefährdung mit mittlerem Risiko, die Tod oder (schwere) Körperverletzung zur Folge haben kann, wenn sie nicht vermieden wird.

---

### **VORSICHT**

Dieser Hinweis kennzeichnet eine mögliche Gefährdung mit geringem Risiko, die eine mittelschwere oder leichte Körperverletzung zur Folge haben kann, wenn sie nicht vermieden wird.

---

### **ACHTUNG**

Dieser Hinweis kennzeichnet eine Gefährdung mit geringem Risiko, die Sachschäden zur Folge haben könnte, wenn sie nicht vermieden wird.

---

### **ACHTUNG**

Das Konservierungsmittel ist nicht zum Verzehr geeignet.

---

### **HINWEIS**

Dieses Symbol

- gibt einen Hinweis zu einer Funktion oder Einstellung an dem Gerät.
- gibt einen Hinweis zur Vorsicht beim Arbeiten.
- kennzeichnet nützliche Informationen.

Des Weiteren werden folgende Darstellungsmittel verwendet:

- Texte, die dieser Markierung folgen, sind Aufzählungen.
- ▶ Texte, die dieser Markierung folgen, beschreiben Tätigkeiten, die in der vorgegebenen Reihenfolge auszuführen sind.
- ▷ Texte, die dieser Markierung folgen, beschreiben das Ergebnis einer Handlung.
- „“ Texte in Anführungszeichen sind Verweise auf andere Kapitel oder Abschnitte.
- [ ] Texte mit diesem vorangestelltem Symbol sind Verweise auf andere Kapitel, Abschnitte oder Dokumente.

## 2 Mindesthaltbarkeit ungebrauchter Cassetten

Cassetten können bis zu 3 Jahren nach dem Herstellungsdatum verwendet werden.

Folgende Lagerbedingungen müssen erfüllt werden um die Funktionalität gewährleisten zu können:

---

### **ACHTUNG**

Die Cassetten müssen in einem geschlossenen und trockenen Raum gelagert werden.

---

### **ACHTUNG**

Die Lagertemperatur muss sich zwischen 5°C und 40°C befinden.  
Absolut Frostfrei.

---

### **ACHTUNG**

Keine direkte Sonneneinstrahlung.

---

### **ACHTUNG**

Keine Feuchtigkeit.

---

### **ACHTUNG**

Jegliche Art von mechanischer Belastung muss vermieden werden.

---

### **ACHTUNG**

Cassetten in beschädigter Verpackung sollten verworfen werden.

---

## 3 Sicherheitshinweise

### **⚠ ACHTUNG**

Das Konservierungsmittel ist nicht zum Verzehr geeignet.

### **⚠ VORSICHT**

Bei der In-Line-Bedampfung der Einspannvorrichtung mit heißem Wasserdampf wird das gesamte System sehr heiß. Sie können sich daran verbrennen. Berühren Sie keine Teile während der In-Line-Bedampfung. Tragen Sie gegebenenfalls Sicherheitshandschuhe.

### **⚠ VORSICHT**

Bei der In-Line-Bedampfung der Einspannvorrichtung tritt an folgenden Stellen heißer Wasserdampf aus: am Retentatausgang und an den Permeatausgängen. Sie können sich an dem heißem Wasserdampf verbrühen. Halten Sie Abstand zu den Dampfaustrittsstellen, fassen Sie nicht hinein.

### **ACHTUNG**

Sie dürfen die angegebenen Einspannkräfte nicht überschreiten. Die Cassetten können bei zu großen Einspannkräften zerstört werden [siehe Kapitel „5.2 Einspannkräfte“, Seite 42].

### **ACHTUNG**

Die maximalen Drücke dürfen nicht überschritten werden [siehe Kapitel „6 Technische Daten“, Seite 60].

### **ACHTUNG**

Sie müssen vor dem thermischen Sterilisieren die Einspannmutter gegen Edelstahl-Ausgleichsspannelemente austauschen. Die Ausgleichsspannelemente halten die Einspannkräfte auch bei sich ändernden Temperaturen konstant. Wenn Sie mit Einspannmutter thermisch sterilisieren, übersteigen die Einspannkräfte das zulässige Maß, und die Cassetten werden beschädigt.

### **ACHTUNG**

Alle Cassetten, unabhängig vom Membrantyp, dürfen nicht austrocknen. Die Membranen verlieren ihre Filtrationseigenschaften, wenn sie austrocknen.

### **ACHTUNG**

Sie müssen die angegebenen Beständigkeiten für Chemikalien beachten. Die Membranen können beschädigt werden, wenn Sie ungeeignete Chemikalien verwenden. Bei Fragen bezüglich der Chemikalienbeständigkeit Ihrer Membranen wenden Sie sich bitte an unsere Anwendungsspezialisten.

### **ACHTUNG**

Cassetten mit weißem Silikon und grauem Silikon dürfen nicht zusammen in einer Einspannvorrichtung eingebaut werden.

### **⚠ VORSICHT**

Bei dem Umgang mit Chemikalien während der Reinigung sollte eine Schutzbrille getragen werden.



Abb.1: Sartocon® Slice 200 Cassette



Abb.2: Sartocon® Slice Cassette



Abb.3: Sartocon® Cassette



Abb.4: Sartocube® Cassette

## ACHTUNG

Bei der Anlagenauslegung und beim Betrieb ist folgendes zu beachten: abrupte Druckwechsel (circa >1 bar/sec) müssen vermieden werden (Pumpenanlauf, Ventil-Schaltvorgänge).

## HINWEIS

Vibrationen sollen so weit begrenzt werden, wie es technisch machbar ist.

## ⚠ VORSICHT

Hydraulische Einspannvorrichtungen, besonders bei großen Anlagen sind möglichst so zu betreiben, dass sich die effektive Einspannkraft während des Betriebes nicht ändert.

## ACHTUNG

Der maximale Überdruck auf der Filtratseite darf 0,5 bar für Cassetten vom Typ Hydrosart® UF 2 kD, 5 kD, 10 kD und 30 kD nicht überschreiten. Bei Cassetten vom Typ PESUmax (Polysulfon AL), ist dieser Wert auf max. 1 bar begrenzt.

## ACHTUNG

Nach dem Lagern in NaOH und vor der Installation in einem Halter müssen die Cassetten an der Außenseite mit DI-Wasser abgespült werden.

Der Überdruck auf der Filtratseite ist definiert als:

Überdruck auf der Filtratseite ( $P_{back}$ ) liegt vor wenn der Permeatdruck höher als der Retentatdruck ist.

$$P_{perm} > P_{ret} ;$$

$$P_{back} = P_{perm} - P_{ret} .$$

Dies sollte insbesondere berücksichtigt werden, wenn hydrostatische Bedingungen (z.B. Tankhöhe und Rohrquerschnitte) den Rückdruck beeinflussen. Bitte stellen Sie sicher, dass diese Werte nicht überschritten werden.

### Hinweis:

Dies muss unterschieden werden im Hinblick auf den

- Transmembrandruck (TMP):

$$TMP = [(p_{feed} + p_{ret})/2] - p_{perm}$$

- und den Differenzdruck:

$$\Delta p = p_{feed} - p_{ret}$$

Eingangsdruck ( $p_{feed}$ ) und Retentatdruck ( $p_{ret}$ ) im Prozessfluss (Retentat) werden beide mit einem Manometer ermittelt. Der Filtratdruck als durchschnittlicher Wert der Permeatseite (Filtrat) wird mit einem Manometer ermittelt.

## ⚠ VORSICHT

Es muss ein Vorfilter benutzt werden, wenn nicht sicher ausgeschlossen werden kann, dass kristalline Partikel (z.B. Abrieb aus Pumpen) in die Cassetten gelangen können.

---

**ACHTUNG**

Es muss sichergestellt werden, dass beim Betrieb und bei der Lagerung keine Kristallisationen aufgrund von Temperatur- bzw. Konzentrationsänderungen erfolgen können.

---

**ACHTUNG**

Verwenden Sie keine Cassetten zusammen, die unterschiedliche Einströmöffnungen haben. Sartocube®-Cassetten haben abwechselnd ovale und runde Löcher. Die Cassetten können nur in passenden Einspannvorrichtungen eingesetzt werden. Sie benötigen je nach Cassette eine Einspannvorrichtung vom Typ Sartocube® Slice, Sartocube® 2 Plus oder Sartoflow®. Wenn Sie Einspannvorrichtungen anderer Hersteller verwenden wollen, können andere Einspannkräfte erforderlich sein, da die Einspannvorrichtungen unterschiedlich konstruiert sind. Unsere Anwendungsspezialisten helfen Ihnen gerne weiter, um eine Beschädigung der Cassette zu vermeiden.

---

**HINWEIS**

Achten Sie beim Filtrieren auf die Crossflow-Bedingungen. Beim Filtrieren unter statischen Bedingungen (Dead-End-Filtration) lässt die Filtrationsleistung der Cassetten stark nach [siehe Kapitel „5.7 Filtrieren“, Seite 54].

---

**ACHTUNG**

Die Temperatur des Retentats darf die in den Technischen Daten angegebenen Werte für die Dauerbetriebstemperatur nicht überschreiten. Während einer Crossflow-Filtration steigt die Temperatur des Retentats mit der Zeit an, da kinetische Energie von der Pumpe auf die Flüssigkeit übertragen wird. Steigt die Temperatur über den angegebenen Wert, sinkt die Druckbeständigkeit des Crossflow-Systems (siehe »Technische Daten«).

---

**⚠ VORSICHT**

Sie sollten einen Vorfilter verwenden. Sie verbessern damit die Filtrationsleistung und erhöhen die Lebensdauer der Cassetten.

---

**HINWEIS**

Sie sollten die Cassetten nach jeder Filtration sofort reinigen. Auf den Membranen lagernde Deckschichten altern. Diese können nur sehr schwer oder unvollständig entfernt werden. Die Filtrationsleistung Ihrer Cassetten sinkt.

---

**HINWEIS**

Verwenden Sie nur Cassetten mit identischen Membranen zusammen in einer Einspannvorrichtung.

---

**ACHTUNG**

Wenn Sie Cassetten über einen längeren Zeitraum nicht benutzen wollen, sollten Sie sie in Konservierungsmittel lagern. Die Cassetten werden so gegen mikrobiellen Befall und Austrocknung geschützt.

---

**⚠ VORSICHT**

Bitte nur Originalzubehör verwenden. Beim Einsatz anderer Komponenten kann eine sichere Nutzung und Leistung der Geräte nicht garantiert werden.

---

## 4 Das gehört zu einem vollständigen Crossflow-System

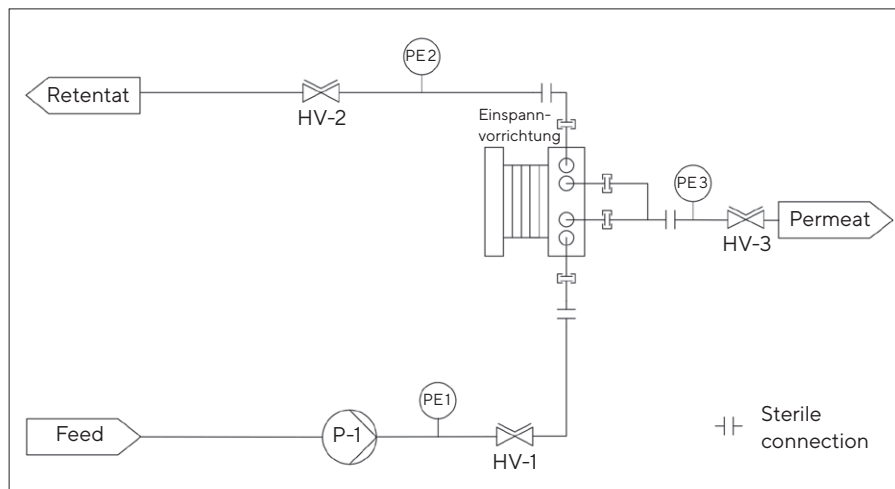


Abb. 5: Skizze

### Einspannvorrichtung



Abb. 6: Sartocon® Slice 200 (Einspannvorrichtung für bis zu 2 Cassetten vom Typ Slice 200) Mat. Nr. #17525---01



Abb. 7: Sartocon® Slice (Einspannvorrichtung für 1-3 Cassetten vom Typ Slice) Mat. Nr. #17521---001 Mat. Nr. #1ZLI-V0001 Es werden zusätzliche große Abstandshalter für den Gebrauch von Slice 200 Cassetten benötigt.



Abb. 8: Sartocon® Slice (Einspannvorrichtung für 1-5 Cassetten vom Typ Slice) [Sartoflow® Alpha] Mat. Nr. #17521---002



Abb. 9: Sartocon® 2 plus Einspannvorrichtung für 1-10 Cassetten [Artikelnummer: 17546\*]



Abb. 10: Sartoflow® 10 Einspannvorrichtung für 1-10 Cassetten



Abb. 11: Sartoflow® 20 Einspannvorrichtung für 2-20 Cassetten



## 5 Inbetriebnahme der Cassetten

### 5.1 Cassetten in die Einspannvorrichtungen einbauen



Abb.12: Aussparungen

Wenn Sie die Cassetten in die Einspannvorrichtung einbauen wollen, gehen Sie folgendermaßen vor:

- ▶ Nehmen Sie die Cassette aus der Verpackung.
- ▶ Kontrollieren Sie nochmals den Cassettentyp.
- ▶ Setzen Sie die Cassette zwischen die beiden Einspannplatten. Die Aussparungen der Cassetten müssen dabei auf die zwei Führungsstangen gesetzt werden.
- ▶ Schrauben Sie die Muttern abwechselnd so weit fest, bis die Cassette von den Einspannplatten festgehalten wird.
- ▶ Ziehen Sie die Muttern mit dem Drehmomentschlüssel abwechselnd bis auf das angegebene Drehmoment an.
- ▶ Kontrollieren Sie nach 15 Minuten das Einspanndrehmoment, und stellen Sie es gegebenenfalls wieder auf den angegebenen Wert ein.



Führungsstangen

Abb.13: Sartocon® 2 plus  
[Artikelnummer: 17546\*]

#### ACHTUNG

Sie dürfen die angegebenen Einspannkräfte nicht überschreiten.  
Die Cassetten können bei zu hohen Einspannkräften zerstört werden.

#### ACHTUNG

Halten Sie die Gewindebolzen und Muttern sauber und vor allem fettfrei!  
Eingefettete oder verschmutzte Gewinde führen zu falschen Einspannkräften, die die Cassetten zerstören können.



Abb.14: Ausgleichspannelemente

## 5.2 Einspannkräfte

### Sartocon® Slice 200 und Sartocon® Slice Halter, manuell

Cassetten Konfiguration	Bestellnummer	Bisheriger Slice Halter	Neuer Slice Halter mit Trapezgewinde, PEEK Unterlegscheiben und Bronzemuttern (verfügbar seit Juli 2014**)	Bedampfung*
		Erforderliche Drehmoment	Erforderliche Drehmoment	Erforderliche Drehmoment
Sartocon® Slice 200 und Sartocon® Slice Hydrosart® UF	308144... 305186...	20 Nm	17 Nm	t.b.d.
Sartocon® Slice 200 und Sartocon® Slice PESU UF	308146... 305146...	25 Nm	17 Nm	t.b.d.
Sartocon® Slice 200 und Sartocon® Slice PESUmax	308146AL... 305146AL...	25 Nm	25 Nm	Keine Bedampfung möglich
Sartocon® Slice 200 und Sartocon® Slice Hydrosart® MF	308186... 305144...	20 Nm	25 Nm	t.b.d.
Sartocon® Slice 200 und Sartocon® Slice PESU MF	308154... 305146...	25 Nm	17 Nm	t.b.d.

### Sartocon® 2 plus Halter, manuell

Cassetten Konfiguration	Bestellnummer	Erforderliche Einspannkraft	Bedampfung*	Drehmoment	Bedampfung*
		Betriebsparameter		Betriebsparameter	
Sartocube® und Sartocon® Cassetten	302146...   302154...	18–35 kN	< 10 kN	80 Nm	1. Kerbe
PESUmax	302146AL...	21–35 kN	Keine Bedampfung möglich	80 Nm	Keine Bedampfung möglich
Sartocube® und Sartocon® Hydrosart® MF UF	302144...   302186...	18–25 kN	< 10 kN	60 Nm	1. Kerbe

\* Eine Liste der bedampfbaren Cassetten befindet sich in Kapitel „6 Technische Daten“, Seite 60.

### Sartoflow® 10 | Sartoflow® 20 und Sartoflow® Systeme mit Hydraulik- kolben, 12,5 cm<sup>2</sup>

Cassetten Konfiguration	Bestellnummer	Erforderliche Einspannkraft	Bedampfung*	Betriebsparameter	
				Hydraulik Druck	Bedampfung*
Sartocube® und Sartocon® Cassetten	302146...   302154...	18-35 kN	< 10 kN	170 bar (2466 PSI) (17 MPa)	80 bar (1160 PSI) (8 MPa)
PESUmax	302146AL...	21-35 kN	Keine Bedampfung möglich	170 bar (2466 PSI) (17 MPa)	Keine Bedampfung möglich
Hydrosart® MF UF Sartocube® und Sartocon® Cassetten	302144...   302186...	18-25 kN	< 10 kN	170 bar (2466 PSI) (17 MPa)	80 bar (1160 PSI) (8 MPa)

\* Eine Liste der bedampfbaren Cassetten befindet sich in Kapitel „6 Technische Daten“, Seite 60

\*\* Die PEEK Unterlegscheiben sollten nach jedem zehnten Gebrauch ausgewechselt werden. Sollten die Bronzemutter und das Trapezgewinde Abrieb zeigen sollten diese ausgetauscht werden. Die Zugstange, Muttern und PEEK Unterlegscheiben sollten sauber gehalten werden.

## 5.3 Spülvorgang

Spülen Sie die Filtercassetten wie nachfolgend beschrieben:

- ▶ vor der ersten Anwendung mit Reinstwasser
- ▶ nach einer Filtration mit Puffer oder physiologischer Kochsalzlösung
- ▶ vor einer Reinigung mit Puffer oder physiologischer Kochsalzlösung
- ▶ nach einer Reinigung mit Reinstwasser
- ▶ nach einer Desinfektion mit Reinstwasser
- ▶ vor einer Integritätsprüfung der Filtercassetten mit Reinstwasser
- ▶ vor einer Sterilisation mit Reinstwasser

### Spülung der Cassetten

Die eingespannten Cassetten müssen mit Reinstwasser gespült werden, das dem für Retentat- und Permeatfluss empfohlenen Verhältnis (siehe Tabelle unten) ungefähr entspricht.

Cassettentyp	Verhältnis Retentatfluss : Permeatfluss
Ultrafilter 1 kD   2 kD	ca. 5 : 1
Ultrafilter 5 kD	ca. 3 : 1
Ultrafilter 8 kD bis 300 kD	ca. 1 : 1
sowie Mikrofilter 0,1 µm	ca. 1 : 1
Mikrofilter 0,2 µm und 0,45 µm sowie PESUmax	ca. 1 : 2

Die Cassetten müssen mit 10 Liter Reinstwasser pro 0,1 m<sup>2</sup> Filtrationsfläche gespült werden. Lassen Sie Permeat und Retentat abfließen.

## 5.4 Integritätstest

Sie können die Integrität einer Cassette durch Messung der Gasdiffusion testen.

Das Testen von mehreren Cassetten in einer Einspannvorrichtung wird in „Technical Data Package Nr 1 Integrity Testing Sartococon® Cassettes“, beschrieben.

**Die Überprüfung muss mit benetzten Cassetten durchgeführt werden.**

### 5.4.1 Integritätstest manuell

Gehen sie folgendermaßen vor:

- ▶ Schließen Sie den Feed-Eingang (V<sub>1</sub>) an eine Druckluftleitung an.
- ▶ Schließen Sie den Retentatausgang (V<sub>2</sub>).
- ▶ Stellen Sie den angegebenen Prüfdruck p<sub>ein</sub> ein [siehe Kapitel „6 Technische Daten“, Seite 60], und halten Sie ihn konstant.
- ▶ Schließen Sie den unteren Permeatausgang (siehe Abbildung 15) (V<sub>3</sub>).
- ▶ Bei konstantem p<sub>feed</sub> warten Sie 4 Minuten, bis das System sein Gleichgewicht erreicht (Stabilisierung des Systems).
- ▶ Messen Sie am oberen Permeatausgang den Luftvolumenstrom mit einem Durchflussmesser oder mit einer wassergefüllten, umgedrehten Bürette.

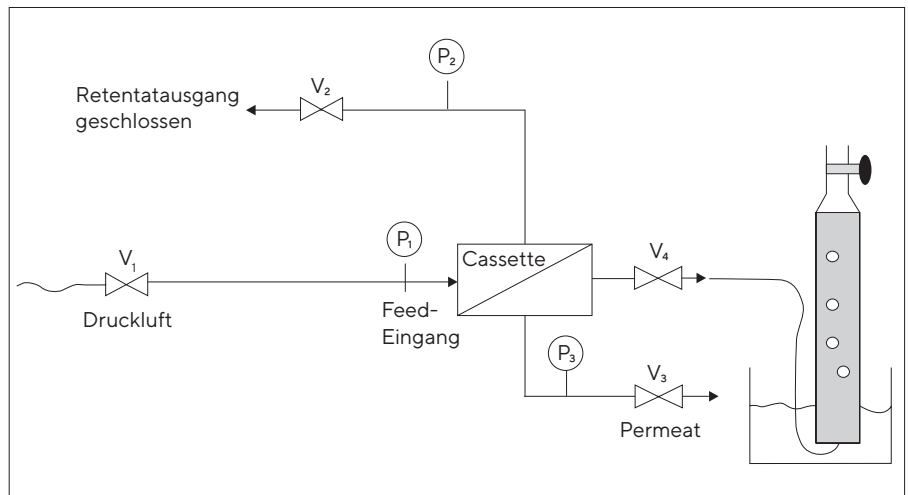


Abb.15: Systemaufbau für manuellen Integritätstest. V<sub>1</sub>-V<sub>5</sub>: Ventile; P<sub>1</sub>-P<sub>3</sub>: Manometer

Die in den „Technischen Daten“ [siehe Kapitel „6 Technische Daten“, Seite 60] angegebenen Werte für den Luftvolumenstrom sind nur Richtwerte. Liegen Ihre Messwerte über diesen Richtwerten, kann die Membran beschädigt sein. Höhere Werte können aber auch an einer unvollständigen Benetzung der Membran oder an zu geringem Einspanndruck liegen. Überprüfen Sie daher immer die Leistungsfähigkeit Ihrer Cassette über die Permeatqualität.

#### 5.4.2 Automatischer Integritätstest (Druckabfalltest)

Gehen Sie dazu wie folgt vor:

- ▶ Schließen Sie ein Integritätstestgerät [wie etwa den Sartocube® plus (16290) oder den Sartocube® 4 Plus (26288)] an die Stromversorgung und eine Druckquelle an.
- ▶ Schließen Sie den Retentatausgang (V<sub>2</sub>) und öffnen Sie die Permeatausgänge (V<sub>3</sub>, V<sub>4</sub>). Öffnen Sie das Druckeingangsventil V<sub>5</sub> und schließen Sie das Retentatventil V<sub>1</sub>.
- ▶ Geben Sie die erforderlichen Testparameter gemäß Sartocube®-Bedienungshandbuch und Cassettendaten ein.
- ▶ Verwenden Sie folgende Parameter:  
Stabilisierungszeit: 4 Minuten  
Testzeit: 2 Minuten
- ▶ Geben Sie die maximal zulässige Diffusionsrate ein [siehe Kapitel „6 Technische Daten“, Seite 60].
- ▶ Starten Sie den Integritätstest.

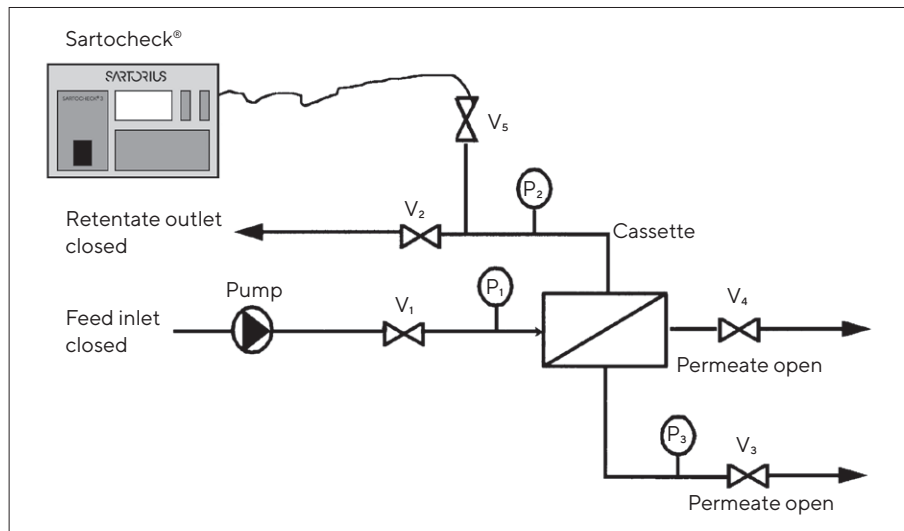


Abb.16: Systemaufbau für den automatischen Integritätstest.  
V<sub>1</sub>-V<sub>5</sub> = Ventile; P<sub>1</sub>-P<sub>3</sub> = Manometer.

Ist das Systemvolumen auf der Retentatseite größer als 9 L, setzen Sie sich bitte mit Ihrem Anwendungsspezialisten vor Ort in Verbindung.

## 5.5 Wasserwerte der Cassetten bestimmen

Vergleichen Sie die Wasserwerte vor der ersten und nach jeder weiteren Benutzung der Filtercassette(n). Das Ergebnis gibt Aufschluss über Membran und Systemveränderungen. Der Wasserwert kann nicht dazu verwendet werden, eine Aussage über die Abwesenheit von Konservierungsmitteln, Produkt oder Reinigungslösung zu treffen. Dazu ist eine qualitative Analyse notwendig.

Grundsätzlich empfehlen wir Ihnen, nach dem ersten Reinigungszyklus mit Laugenlösung den Reinwasserwert (= Ausgangswasserwert) zu bestimmen.

### Bestimmung des Wasserwertes

Gehen Sie dazu wie folgt vor:

- ▶ Spülen Sie das System, um das Konservierungsmittel zu entfernen.
- ▶ Führen Sie einen Reinigungszyklus mit 1 N Natronlauge durch und neutralisieren sie das System.
- ▶ Nehmen Sie den Wasserwert mit Reinwasser auf. Die dazu notwendigen Drücke sind in der Tabelle aufgeführt.
- ▶ Messen Sie den Wasserwert immer bei identischer Wassertemperatur (20°C).
- ▶ Vergleichen Sie den Wasserwert nach der Erstreinigung mit NaOH mit den Wasserwerten nach der Prozessreinigung. Der Wasserwert nach der Erstreinigung und vor dem ersten Einsatz entspricht dem Vergleichswert.

### HINWEIS

Jede Veränderung der Wasserqualität, Drücke, Temperatur und Viskosität sowie Anlagenveränderungen haben einen Einfluss auf den Wasserwert.

In größeren Anlagen mit mehr als einer Sartocube® oder einer Sartocube® lässt sich die Interpretation erleichtern, indem man die Wasserwerte für die gesamte Anlage aufnimmt und dieser miteinander vergleicht.

Aufgrund von Querschnittslimitierungen in den Rohrleitungen ist es eventuell nicht möglich die in der Tabelle angegebenen Drücke einzustellen. In diesem Fall kann der Wasserwert auch mit anderen Drücken aufgenommen werden.

Solange alle Variablen konstant gehalten werden, lassen sich die Messwerte miteinander vergleichen.

**Zur Bestimmung des Wasserwertes stellen Sie folgende Druckwerte ein:**

Cassetten- konfiguration	Eingangsdruck Ventil offen [psi bar kPa]	Retentatdruck [psi bar kPa]	Permeatdruck Ventil offen [psi bar kPa]
Sartocube® Slice Cassette und Slice 200	29 2 200	7 0,5 50	0 0 0
Sartocube® Cassette	29 2 200	7 0,5 50	0 0 0
Multiple Sartocube® Cassetten	29 2 200	10-14 0,7-1  70-100	≤7 0,5 50
Sartocube® Cassette	29 2 200	10-14 0,7-1  70-100	≤7 0,5 50

Auch wenn sich der Ausgangswert einer noch unbenutzten und erstgereinigten Cassette normalerweise nicht wieder erreichen lässt, sollte der Wasserwert einer benutzten Filtercassette nach der Reinigung dennoch dem ursprünglichen Wert möglichst nahe kommen.

Durch das Vergleichen der Wasserwerte, können Sie beurteilen, wie gut die Filtercassette gereinigt wurde.

**Eine Reinigungsoptimierung sollte in Betracht gezogen werden, wenn:**

- der Wasserwert nach dem Reinigen unter 70% des Ursprungswasserwertes liegt,
- der Wasserwert nach jedem Einsatz stetig abnimmt.

Bei weiteren Fragen, kontaktieren Sie bitte unseren örtlichen Anwendungsspezialisten.

## 5.6 Thermische Sterilisation der Filtercassetten

---

### ACHTUNG

Kontrollieren Sie die Bedampfbarkeit der Cassetten anhand der Tabelle „Technische Daten“ [siehe Kapitel „6 Technische Daten“, Seite 60].

---

### VORSICHT

Während der In-line-Bedampfung wird das gesamte System einschließlich der Edelstahlleitungen und der Einspannvorrichtung für die Filtercassette(n) sehr heiß (> 121°C). Lassen Sie daher entsprechende Vorsicht walten, wenn Sie im Bereich von heiß werdenden Geräten arbeiten.

---

### ACHTUNG

Bitte beachten, dass die hohe thermische und mechanische Belastung während der Bedampfung zur Veränderungen der physikalischen Eigenschaften der Membrane führen kann, in Bezug auf Filtratleistung und Rückhaltung. Daher ist die Mehrfachnutzung nur begrenzt möglich.

---

### VORSICHT

Während der In-line-Bedampfung entweicht am Retentatausgang und an den Permeatausgängen heißer Dampf. Halten Sie daher einen ausreichenden Sicherheitsabstand von diesen Ausgängen ein.

---

### ACHTUNG

Vor der thermischen Sterilisation müssen die Einspannmutter zum Druckausgleich gegen Edelstahl-Ausgleichsspannelemente ausgetauscht werden.

---

Diese speziellen Ausgleichsspannelemente gewährleisten, dass die Einspannkraft während der thermischen Sterilisation konstant bleiben. Wenn Sie diese Ausgleichsspannelemente nicht verwenden, steigen die Einspannkraft bei zunehmenden Temperaturen über den zulässigen Höchstwert an, und die Filtercassetten werden irreversibel geschädigt.

---

### ACHTUNG

Bevor Sie die Cassetten sterilisieren, müssen Sie diese gründlich reinigen und mit VE-Wasser spülen. Substanzen, die sich auf der Membran befinden, können nach dem Sterilisieren nicht mehr entfernt werden.

---

### ACHTUNG

Verbinden Sie den Retentateingang mit einem Sterilluftfilter, der in einer abzweigenden Leitung sitzt. Die Anlage wird dann beim Abkühlen steril belüftet, und es kann kein Vakuum entstehen.

---

### ACHTUNG

Achten Sie darauf, dass der Dampf Pharma-Qualität hat, rostfrei, partikelfrei und frei von Hydrazin ist.

---

### ACHTUNG

Stellen Sie sicher, dass die Cassetten frei von Chlor bzw. Disulfid sind. Bei Chlor hilft Spülen mit einer 1%igen Natriumthiosulfatlösung.

---



**HINWEIS**

Sie können sich die Handhabung bei der In-Line-Bedampfung erleichtern, wenn Sie den Retentatausgang und die Permeatausgänge mit thermischen Kondensatabscheidern versehen.

**HINWEIS**

Mit Kondensatabscheidern wird das System schneller aufgeheizt. Zusätzlich regeln sie den Dampfaustritt an den Ausgängen in Abhängigkeit von der Temperatur.

## 5.6.1 Mikrofiltrations-Cassetten in-line bedampfen

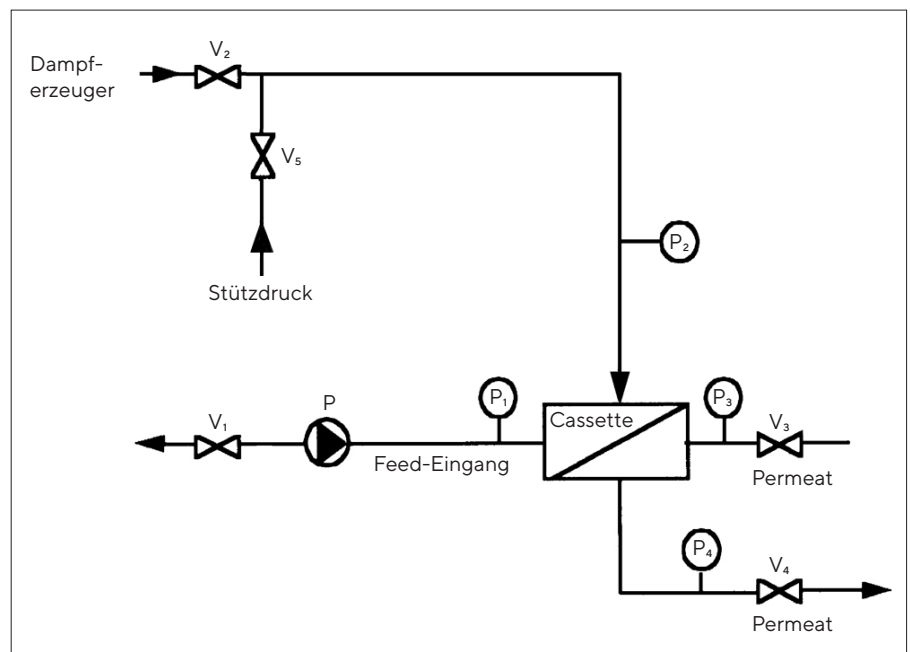


Abb. 17: Aufbau der Anlage für die In-Line-Bedampfung von Mikrofiltrations-Cassetten.  
V<sub>1</sub>-V<sub>5</sub>: Ventile; P<sub>1</sub>-P<sub>4</sub>: Manometer, P: Pumpe

- ▶ Verbindung zum Manometer (P<sub>2</sub>) und Ventil (V<sub>2</sub>) am Retentatausgang herstellen. An den Permeatausgängen Manometer und Ventile anschließen (P<sub>3</sub> | P<sub>4</sub> | V<sub>3</sub> | V<sub>4</sub>).
- ▶ Ventil V<sub>3</sub>, V<sub>3</sub>, V<sub>4</sub> in der Feedleitung öffnen und Ventil V<sub>5</sub> schließen.
- ▶ Cassetten in die Einspannvorrichtung einbauen.
- ▶ Verbinden Sie die Wasserleitung mit dem System.
- ▶ Spülen Sie die Cassetten 5 Minuten lang mit RO-Wasser bei einem Eingangsdruck von 2 bar und einem Retentatdruck von 0,5 bar. Zur Druckeinstellung bitte die Ventileinstellungen ändern.
- ▶ Entleeren Sie das System.
- ▶ Schließen Sie V<sub>2</sub>. Verbinden Sie V<sub>2</sub> mit dem Dampfanschluss.
- ▶ Setzen Sie Ausgleichsspannelemente in manuellen Haltern ein. Detaillierte Informationen entnehmen Sie bitte dem Benutzerhandbuch der Einspannvorrichtung.
- ▶ Ziehen Sie die Ausgleichsspannelemente mit dem Drehmomentschlüssel bis zur ersten Kerbe an (siehe Abbildung).
- ▶ Schließen Sie die Ventile V<sub>3</sub>, V<sub>4</sub> und V<sub>5</sub>.

- ▶ Regulieren Sie den Dampfgenerator bis auf 1,0 bar max. Öffnen Sie langsam das Ventil  $V_2$ , um den Dampf in das System zu leiten.
- ▶ Wir empfehlen den Einsatz von Kondensatabscheidern. Das Ventil  $V_1$  langsam ein wenig öffnen. Etwas Dampf muss entweichen können.

### ACHTUNG

Der Druck am Feed-Eingang darf 1,0 bar (121°C) nicht überschreiten. Die Cassetten können bei Drücken über 1,0 bar beschädigt werden.

### HINWEIS

Bei Rohrdruckmittlern tritt bei höheren Temperaturen eine Ungenauigkeit in der Anzeige auf. Der Druck ist in den meisten Fällen niedriger als angezeigt. Überprüfen Sie dies während Ihrer Validierung.

Ausgleichsspannelement

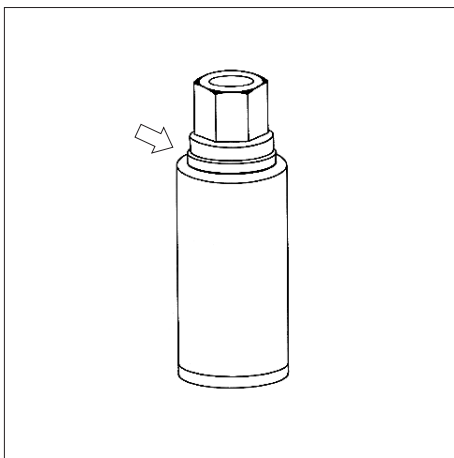


Abb.18: entspannt

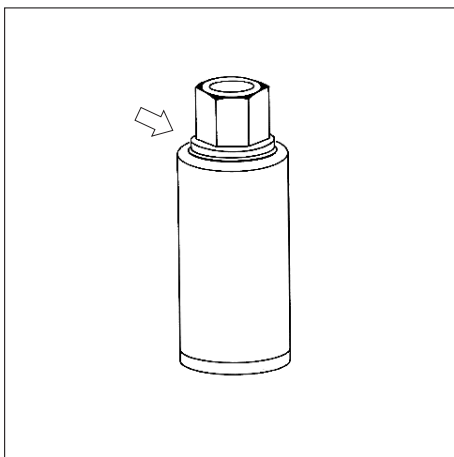


Abb.19: angezogen

- ▶ Nachdem der Druck am Manometer  $P_1$  1,0 bar erreicht hat, die Ventile  $V_3$  und  $V_4$  langsam öffnen. Aus jedem Auslass muss ein wenig Dampf entweichen können. (Der Einsatz von Kondensatabscheidern erleichtert diesen Vorgang.)
- ▶ Wenn auf der Permeatseite ( $P_3$  |  $P_4$ ) der Druck von 1,0 bar erreicht ist, beginnt die Sterilisationszeit.
- ▶ Nach 30 Minuten ist die Sterilisation beendet. Ventile  $V_3$  und  $V_4$  schließen.
- ▶ Schließen von Ventil  $V_1$  in der Feed-Leitung und Ventil  $V_2$  in der Retentatleitung. Öffnen von  $V_5$  ermöglicht den Aufbau des Stabilisationsdruckes. Abschalten der Dampfzufuhr.
- ▶ Abkühlen des Gerätes für 90 Minuten. Während der Abkühlphase bleibt Ventil  $V_5$  offen.
- ▶ Nach 90 Minuten Abkühlphase Ventil  $V_5$  schließen.
- ▶ Belüftung des Systems durch Öffnen von  $V_3$ . Sollte eine Sterilbelüftung nötig sein, wird der Einsatz eines Sterilluftfilters empfohlen.
- ▶ Setzen Sie den Drehmomentschlüssel ein, um zu den erforderlichen Drücken zurückzukehren [siehe Kapitel „5.2 Einspannkräfte“, Seite 42]:
- ▶ Danach mit sterilem Wasser rezirkulieren, bis das System Raumtemperatur erreicht, um ein Austrocknen der Membrane zu verhindern.

## 5.6.2 Ultrafiltrations-Cassetten in-line bedampfen

Die Ultrafiltrations Cassetten werden von der Retentat- und der Permeatseite gleichzeitig bedampft, um eine Beschädigung der Cassette zu vermeiden. Die beiden Permeatausgänge dürfen daher nicht zusammengefasst werden.

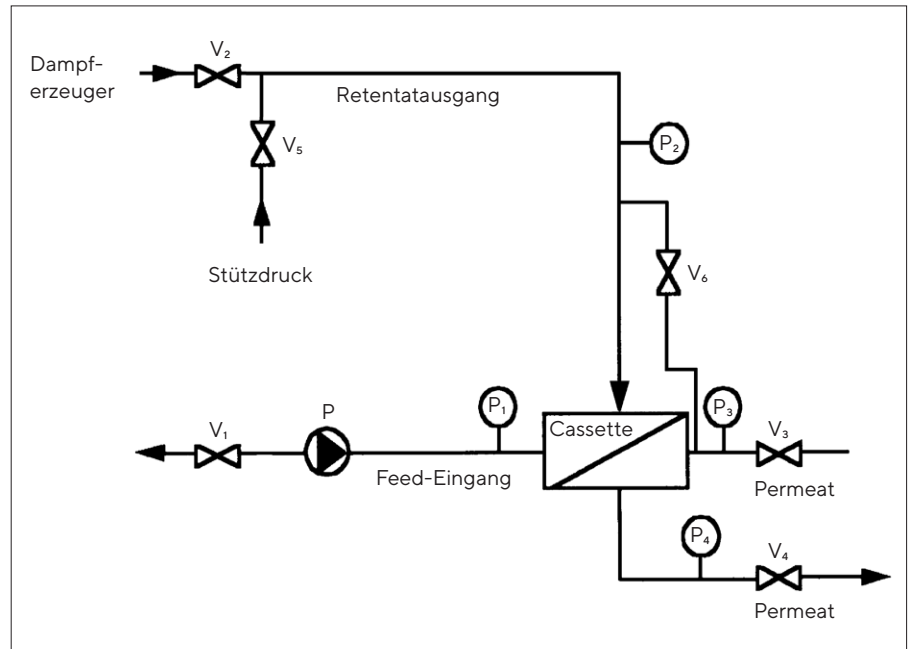


Abb. 20: Aufbau der Anlage für die In-Line-Bedampfung von Ultrafiltrations-Cassetten. V<sub>1</sub>-V<sub>6</sub> Ventile, P<sub>1</sub>-P<sub>4</sub> Manometer, P Pumpe

- ▶ Verbindung zum Manometer (P<sub>2</sub>) und Ventil (V<sub>2</sub>) am Retentatausgang herstellen. An den Permeatausgängen Manometer und Ventile anschließen (P<sub>3</sub> | P<sub>4</sub> | V<sub>3</sub> | V<sub>4</sub>).
- ▶ Ventile V<sub>3</sub>, V<sub>3</sub>, V<sub>4</sub> in der Feed-Leitung öffnen und Ventil V<sub>5</sub> schließen.
- ▶ Cassetten in die Einspannvorrichtung einbauen.
- ▶ Verbinden Sie die Wasserleitung mit dem System.
- ▶ Spülen Sie die Cassetten 5 Minuten lang mit RO-Wasser bei einem Eingangsdruck von 2 bar und einem Retentatdruck von 0,5 bar. Zur Druckeinstellung bitte die Ventileinstellungen ändern.
- ▶ Entleeren Sie das System.
- ▶ Schließen Sie V<sub>2</sub>. Verbinden Sie V<sub>2</sub> mit dem Dampfanschluss.
- ▶ Setzen Sie Ausgleichsspannelemente in manuellen Haltern ein. Detaillierte Informationen entnehmen Sie bitte dem Benutzerhandbuch der Einspannvorrichtung.
- ▶ Ziehen Sie die Ausgleichsspannelemente mit dem Drehmoment-schlüssel bis zur ersten Kerbe an (siehe Abbildung).
- ▶ Öffnen Sie die Verbindung von Retentat und Permeat V<sub>6</sub>.
- ▶ Schließen Sie die Ventile V<sub>3</sub>, V<sub>4</sub> und V<sub>5</sub>.
- ▶ Regulieren Sie den Dampfgenerator bis auf 1,0 bar max. Öffnen Sie langsam das Ventil V<sub>2</sub>, um den Dampf in das System zu leiten.
- ▶ Wir empfehlen den Einsatz von Kondensatabscheidern. Bitte das Ventil V<sub>1</sub> langsam ein wenig öffnen. Etwas Dampf muss entweichen können.

**ACHTUNG**

Der Druck am Feed-Eingang darf 1,0 bar (121°C) nicht überschreiten. Die Cassetten können bei Drücken über 1,0 bar beschädigt werden.

**HINWEIS**

Bei Rohrdruckmittlern tritt bei höheren Temperaturen eine Ungenauigkeit in der Anzeige auf. Der Druck ist in den meisten Fällen niedriger als angezeigt. Überprüfen Sie dies während Ihrer Validierung.

- ▶ Nachdem der Druck am Manometer P<sub>1</sub> 1,0 bar erreicht hat, bitte die Ventile V<sub>3</sub> und V<sub>4</sub> langsam öffnen. Aus jedem Auslass muss ein wenig Dampf entweichen können. (Der Einsatz von Kondensatabscheidern erleichtert diesen Vorgang.)
- ▶ Wenn auf der Permeatseite (P<sub>3</sub> | P<sub>4</sub>) der Druck von 1,0 bar erreicht ist, beginnt die Sterilisationszeit.
- ▶ Nach 30 Minuten ist die Sterilisation beendet. Ventil V<sub>3</sub> und V<sub>4</sub> schließen.
- ▶ Schließen von Ventil V<sub>1</sub> in der Feed-Leitung und Ventil V<sub>2</sub> in der Retentatleitung. Öffnen von V<sub>5</sub> ermöglicht den Aufbau des Stabilisationsdruckes. Abschalten der Dampfzufuhr.
- ▶ Abkühlen des Gerätes für 90 Minuten. Während der Abkühlphase bleibt Ventil V<sub>5</sub> offen.
- ▶ Nach 90 Minuten Abkühlphase Ventil V<sub>5</sub> schließen.
- ▶ Belüftung des Systems durch Öffnen von V<sub>3</sub>. Sollte eine Sterilbelüftung nötig sein, wird der Einsatz eines Sterilluftfilters empfohlen.
- ▶ Setzen Sie den Drehmomentschlüssel ein, um zu den erforderlichen Drücken zurückzukehren.
- ▶ Danach mit sterilem Wasser rezirkulieren, bis das System Raumtemperatur erreicht, um ein Austrocknen der Membrane zu verhindern.

Ausgleichspannelement

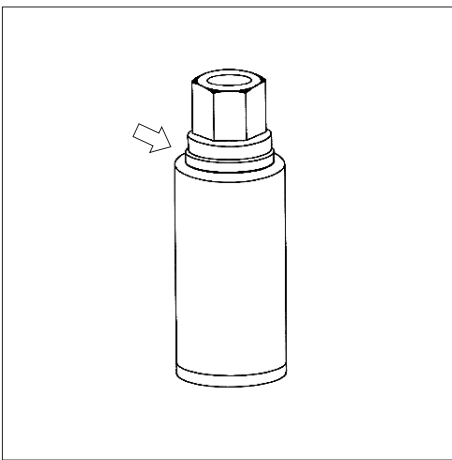


Abb.21: entspannt

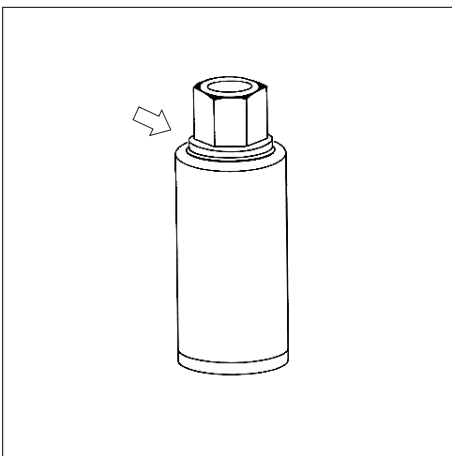


Abb.22: angezogen

### 5.6.3 Cassetten autoklavieren

Ausgleichsspannelement

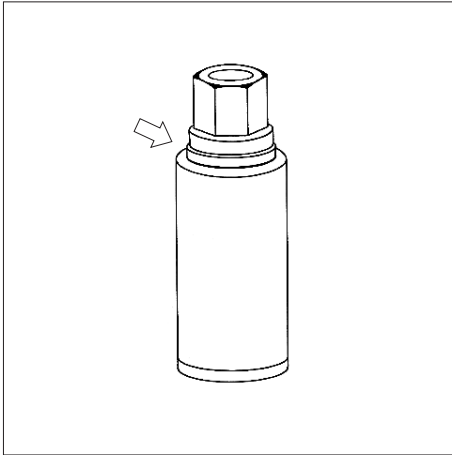


Abb. 23: entspannt

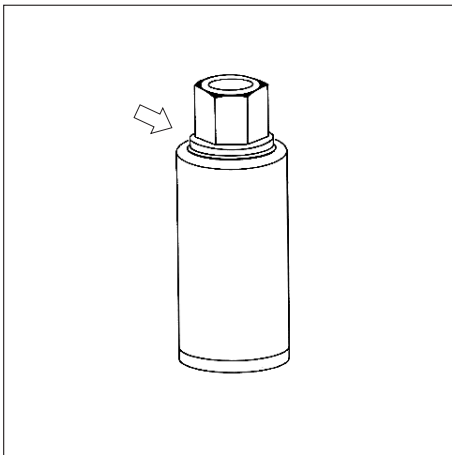


Abb. 24: angezogen

- ▶ Spannen Sie die Cassetten mit Ausgleichselementen in die Einspannvorrichtung ein.
- ▶ Spülen Sie die Cassetten wie in [Kapitel „5.3 Spülvorgang“, Seite 43], beschrieben mit VE-Wasser.
- ▶ Ziehen Sie die Ausgleichsspannelemente bis zur ersten Kerbe mit dem Drehmomentschlüssel abwechselnd an (siehe Abbildung).
- ▶ Stecken Sie auf jeden Anschluss der Einspannvorrichtung einen Schlauch.
- ▶ Stellen Sie die Einspannvorrichtung in den Autoklaven.
- ▶ Füllen Sie die Schläuche mit VE-Wasser. Stecken Sie die Schläuche in einen Behälter mit 5 l VE-Wasser, den Sie ebenfalls in den Autoklaven stellen. **Sie verhindern so, dass die Cassetten während des Autoklavierens austrocknen.**
- ▶ Starten Sie den Autoklaven. Sie müssen ohne Vakuum autoklavieren, da die Cassetten sonst beschädigt werden.
- ▶ Autoklavieren Sie 30 min bei 121°C.
- ▶ Verschließen Sie die Schläuche sofort, nachdem Sie den Autoklaven geöffnet haben. Sie können dazu entweder Schlauchklemmen oder Ventile verwenden. **Sie vermeiden damit unerwünschte Kontaminationen und dass die Cassetten austrocknen.**
- ▶ Lassen Sie die Einspannvorrichtung abkühlen.
- ▶ Ziehen Sie die Ausgleichsspannelemente mit dem Drehmomentschlüssel abwechselnd bis auf das angegebene Drehmoment wieder an [siehe Kapitel „5.2 Einspannkräfte“, Seite 42].

## 5.7 Filtrieren

Der Anfang einer Crossflow-Filtration ist ein kritischer Augenblick. Das zu filtrierende Medium gelangt auf eine saubere Membranoberfläche. Es hat sich noch keine Deckschicht (Sekundärschicht) gebildet, und die Geschwindigkeit, mit der das Retentat an der Membran vorbeiströmt, ist noch nicht konstant und ausreichend für Crossflow-Bedingungen. Besonders bei Mikrofiltrations-Cassetten entsteht anfangs ein sehr hoher Permeatfluss durch die Membran, wenn zu diesem Zeitpunkt:

- die Permeatausgänge geöffnet sind,
- sich bei geschlossenen Ausgängen im Permeatraum Luft befindet, die dann komprimiert wird.

Gehen Sie daher immer folgendermaßen vor, wenn Sie filtrieren wollen:

- ▶ Stellen Sie sicher, dass der Permeatraum mit einer der folgenden Flüssigkeiten gefüllt ist:
  - Pufferlösung
  - isotonischer Kochsalzlösung

Dies können Sie durch [siehe Kapitel „5.3 Spülvorgang“, Seite 43] mit einer der benannten Flüssigkeiten erreichen.

- ▶ Wenn Sie die Filtration starten, schließen Sie die Permeatausgänge zu ca. 90%. Ausnahme: Hydrosart® UF Cassetten (maximal zulässigen Permeat-Rückdruck beachten).
- ▶ Erzeugen Sie die gewünschte Überströmrates (Crossflow).
- ▶ Öffnen Sie das Permeatventil.
- ▶ Vergewissern Sie sich, dass die für den Prozess gewünschte Überströmrates beibehalten wird.
- ▶ Achten Sie auf eine ausreichende Strömungsgeschwindigkeit. Achten Sie darauf, dass Sie eine hohe Überströmung bei geringem Transmembrandruck (TMP) einstellen. Richtwerte für Ihre Lösung können Sie bei unserem Anwendungsspezialisten anfragen.

---

### ACHTUNG

Der Druck am Feed-Eingang  $p_{\text{ein}}$  darf 4 bar nicht überschreiten. Die Cassetten können bei höheren Drücken beschädigt werden.

---

### ACHTUNG

Beachten Sie die maximal zulässigen Permeatdrücke: Hydrosart® UF: 0,5 bar, PESUmax: 1 bar.

---

### HINWEIS

Während der Filtration sollte die Strömungsgeschwindigkeit konstant gehalten werden. Nimmt im Laufe der Filtration die Viskosität der Flüssigkeit zu, muss  $p_{\text{feed}}$  erhöht werden. Sie erhalten dann eine gleich bleibende Reinigungswirkung für die Membranoberfläche.

---

- ▶ Spülen Sie das System, wenn die Filtration beendet ist [siehe Kapitel „5.3 Spülvorgang“, Seite 43].
- ▶ Reinigen Sie das System nach dem Spülen [siehe Kapitel „5.8 Cassetten reinigen“, Seite 55].

## 5.8 Cassetten reinigen

### HINWEIS

Sie sollten die Cassetten nach jeder Filtration sofort reinigen. Auf den Membranen lagernde Deckschichten altern. Sie können nur sehr schwer oder unvollständig entfernt werden. Die Filtrationsleistung Ihrer Cassetten sinkt.

Wir empfehlen für die unterschiedlichen Membranmaterialien folgende Reinigungsmittel und Bedingungen: (Die Tabelle gibt nur Reinigungsvorschläge, die unter Umständen bei einzelnen Verschmutzungen abgeändert werden können.)

Reinigungsmittel	Konzentration	pH	Zeit [min]	Temperatur [°C]
Natronlauge	1 N	14	60	50
Phosphorsäure	2Gew-%	1,3	30	50

Stellen Sie Folgendes ein:

$p_{\text{ein}} = 2,0 \text{ bar}$

$p_{\text{aus}} = 0 \text{ bar}$

#### Bei Mikrofiltrations-Cassetten:

Bei geschlossenen Permeatventilen das Reinigungsmittel im Kreislauf 60 min lang über die Cassetten pumpen. Reinigungsvorgang ggf. mit frischer Reinigungslösung bei offenen Permeatventilen wiederholen.

#### Bei Ultrafiltrations-Cassetten:

Bei geschlossenen Permeatventilen das Reinigungsmittel im Kreislauf 60 min lang über die Cassetten pumpen. Reinigungsvorgang ggf. mit frischer Reinigungslösung bei offenen Permeatventilen wiederholen.

Spülen Sie danach die Cassette(n) mit VE-Wasser wie in [Kapitel „5.3 Spülvorgang“, Seite 43], beschrieben. Bestimmen Sie den Wasserwert [siehe Kapitel „5.5 Wasserwerte der Cassetten bestimmen“, Seite 46] und vergleichen Sie diesen mit dem Wert nach der ersten NaOH-Spülung.

Nach der ersten Filtration mit anschließender Reinigung ist eine stärkere Abnahme des Wasserwertes (CWF = Clean Water Flux) normal. Die Abweichung dieses Wertes wird bei nachfolgenden Reinigungsprozessen niedriger sein.

Bleibt der Wasserwert auch nach mehrfacher Reinigung unterhalb des Wertes einer Cassette, setzen Sie sich bitte mit Ihrem Anwendungsspezialisten in Verbindung. Im allgemeinen müssen Sie die Anweisungen für Sartorius Stedim Biotech-Produkte und deren chemische Beständigkeit beachten, insbesondere die Hinweise über pH-Werte und die thermische Beständigkeit der Membranen und Cassetten.

**Beispiel eines optimierten Reinigungsprotokolls  
(nur für Hydrosart® Mikrofilter):**

**Schritt 1:**

Spülen mit isotonischer Kochsalzlösung für 5 min bei Raumtemperatur

**Bedingungen:**

$p_{\text{ein}} = 2,5 \text{ bar}$

$p_{\text{per}} = \text{geschlossen nach 4 min. öffnen}$

$p_{\text{ret}} = 0 \text{ bar.}$

**Schritt 2:**

10 min. mit 1 N NaOH bei 50°C im Kreislauf

**Bedingungen:**

$p_{\text{ein}} = 2,0 \text{ bar}$

$p_{\text{per}} = \text{geschlossen}$

$p_{\text{ret}} = 0 \text{ bar}$

**Schritt 3:**

10 min. mit 1 N NaOH bei Raumtemperatur im Kreislauf und anschließende Spülung der Cassetten mit demselben Ansatz

**Bedingungen:**

$p_{\text{ein}} = 2,0 \text{ bar}$

$p_{\text{per}} = 0,5 \text{ bar}$

$p_{\text{ret}} = 1,0 \text{ bar}$

**Schritt 4:**

Reinstwasserspülung, bis der pH-Wert neutral ist

**Bedingungen:**

$p_{\text{ein}} = 2,0 \text{ bar}$

$p_{\text{per}} = 0,5 \text{ bar}$

$p_{\text{ret}} = 1,0 \text{ bar}$

Methode zum Nachweis des Freispülens von Reinigungsmittel NaOH

- Neutraler pH-Wert sowohl der Retentat- als auch der Permeatlösung
- Leitfähigkeit sowohl der Retentat- als auch der Permeatlösung

## 5.9 Cassetten desinfizieren

---

### **ACHTUNG**

Bevor Sie die Cassetten desinfizieren, müssen Sie diese reinigen und spülen. Substanzen, die sich auf der Membran befinden, können nach dem Desinfizieren nicht mehr entfernt werden.

---



Wir empfehlen für die unterschiedlichen Membranmaterialien folgende Desinfektionsmittel und Bedingungen:

Desinfektionsmittel	Konzentration	Zeit	Temperatur
Polysulfon und Hydrosart® Formaldehyd	2-3 Gew-%	30 min	20-30°C
NaOH	1 N	30 min	40°C

Stellen Sie Folgendes ein:

$p_{\text{ein}} = 2,0 \text{ bar}$

$p_{\text{per}} = 0 \text{ bar}$

$p_{\text{ret}} = 0,5 \text{ bar}$

Pumpen Sie die Desinfektionslösung im Kreislauf durch die Cassette.

**Das Desinfektionsmittel muss durch beide Permeatausgänge fließen.**

Spülen Sie danach die Cassette mit sterilem VE-Wasser oder mit der Lagerlösung wie in [Kapitel „5.3 Spülvorgang“, Seite 43] beschrieben.

Für weitere Informationen über Desinfektionslösungen wenden Sie sich bitte an unsere Anwendungsspezialisten.

## 5.10 Cassetten lagern

### ACHTUNG

Benutzte Cassetten dürfen nicht austrocknen oder einfrieren. Die Membranen verlieren ihre Filtrationseigenschaften, wenn sie ausgetrocknet waren. Sie müssen daher immer feucht gelagert werden.

### ACHTUNG

Sie sollten Ihre Cassetten gegen mikrobiellen Befall schützen und konservieren, wenn Sie sie längere Zeit nicht benutzen wollen.

### 5.10.1 Kurzfristige Lagerung

Wir empfehlen folgende Konservierungsmittel zur kurzzeitigen Lagerung im Halter (bis zu 8 Wochen):

Konservierungsmittel	Konzentration
alle Membranmaterialien Formaldehyd	2-3 Gew-%
Ethanol Nur unvergällten Alkohol verwenden	20 Gew.-%*
NaOH	0,1 N maximal 12 Monate für PESU und Hydrosart®

\* Hydrosart® kann in 20-40 Gew.-% Ethanol aufbewahrt werden.

Für kurzzeitige Lagerung (nicht länger als acht Wochen). Lagern Sie die Cassetten folgendermaßen in der Einspannvorrichtung:

- ▶ Reinigen Sie die Cassetten [siehe Kapitel „5.9 Cassetten desinfizieren“, Seite 56].
- ▶ Pumpen Sie das Konservierungsmittel 5 Minuten durch die Anlage mit den gleichen Einstellungen, die Sie beim Spülen der Cassetten eingestellt haben. Das Konservierungsmittel muss durch beide Permeatausgänge fließen.
- ▶ Schließen Sie den Retentateingang, den Retentatausgang und die Permeatausgänge.
- ▶ Cassetten dürfen zur Konservierung und Lagerung nicht eingefroren werden.

### 5.10.2 Langfristige Lagerung

Wir empfehlen folgende Konservierungsmittel zur Lagerung über einen längeren Zeitraum außerhalb des Halters:

Konservierungsmittel	Konzentration
alle Membranmaterialien Formaldehyd	2-3 Gew-%
Ethanol Nur unvergällten Alkohol verwenden	20 Gew.-%*
NaOH	0,1 N maximal 12 Monate für PESU und Hydrosart®

\* Hydrosart® kann in 20-40 Gew.-% Ethanol aufbewahrt werden.

- ▶ Reinigen Sie die Cassetten [siehe Kapitel „5.9 Cassetten desinfizieren“, Seite 56].
- ▶ Pumpen Sie das Konservierungsmittel 5 Minuten durch die Anlage mit den gleichen Einstellungen, die Sie beim Spülen der Cassetten eingestellt haben. Das Konservierungsmittel muss durch beide Permeatausgänge fließen.
- ▶ Nehmen Sie die Cassetten aus der Einspannvorrichtung.
- ▶ Bewahren Sie die Cassetten in Konservierungsmittel in einem geschlossenen Behälter auf:
  - Plastikbeutel:  
Schweißen Sie die Cassette zusammen mit 50 ml Konservierungsmittel ein.
  - Container:  
Bedecken Sie die Cassette vollständig mit Konservierungsmittel und verschließen Sie den Container.

Nach dem Lagern in NaOH und vor der Installation in einem Halter müssen die Cassetten an der Außenseite mit DI-Wasser abgespült werden.

## 5.11 Hinweise zur Reklamation

Wenn Sie Cassetten zur Begutachtung an Sartorius schicken möchten, stellen Sie bitte Folgendes sicher:

- dass der Anwendungsspezialist kontaktiert wird und das Formular für den Rückversand angefordert wird;
- dass die Cassetten vollständig gereinigt sind [siehe Kapitel „5.8 Cassetten reinigen“, Seite 55];
- dass die Cassetten desinfiziert wurden;
- dass mit den Cassetten folgende Informationen zur Verfügung gestellt werden:
  - Welches Medium wurde filtriert;
  - Beobachteter Fehler
  - Verwendete Betriebsparameter:
    - Druckeinstellungen
    - Betriebszeit
    - Anzahl der Prozesszyklen
    - Reinigungsbedingungen
    - Betriebstemperatur
    - Reinigungsart;
  - Anzahl der Reinigungszyklen;
  - Angabe über das verwendete Desinfektionsmittel.

## 5.12 Entsorgung

Bei ungefährlichen Verunreinigungen kann der Abfallschlüssel EAK 150203 (Europäischer Abfallkatalog) Aufsaug- und Filtermaterialien, Wischtücher und Schutzkleidung verwendet werden. Wenn die Filter mit gefährlichen Stoffen kontaminiert sind, sollte EAK 150202\* Aufsaug- und Filtermaterialien, die durch gefährliche Stoffe verunreinigt sind, verwendet werden. Bei Unklarheiten sprechen Sie bitte Ihre Abfallbehörde an.

## 6 Technische Daten

### 6.1 Technische Spezifikationen Sartococon® Slice 200

#### Sartococon® Slice 200 Ultrafiltration-Cassetten

Membranmaterial	nomminale Molekulargewichtstrenngrenze [NMWCO]	Bestell-Nr.	wirksame Filterfläche [m <sup>2</sup> ]	pH Stabilität	thermisch sterilisierbar	maximaler p <sub>feed</sub> [bar] bei 20°C	maximale Dauerbetriebstemperatur [°C]	Werte für Luftdiffusion ml Luft/min bei p <sub>feed</sub>	Dichtung	Konservierungsmittel <sup>1)</sup>
Polyethersulfon (PESU)	1 kD	3081460902E--SW	0,02	1-14	Nein	4	50	≤1,0	PVDF	Glycerin
	5 kD	3081462902E--SW	0,02	1-14	Nein	4	50	≤1,0	PVDF	Glycerin
	8 kD	3081463402E--SW	0,02	1-14	Nein	4	50	≤1,0	PVDF	Ethanol
	10 kD	3081463902E--SW	0,02	1-14	Nein	4	50	≤1,0	PVDF	Ethanol
	Albumin	308146AL02K--SW	0,02	1-14	Nein	4	50	≤2,0	PVDF	Ethanol
	30 kD	3081465902E--SW	0,02	1-14	Nein	4	50	≤1,0	PVDF	Ethanol
	50 kD	3081465002E--SW	0,02	1-14	Nein	4	50	≤1,0	PVDF	Ethanol
	100 kD	3081466802E--SW	0,02	1-14	Nein	4	50	≤1,0	PVDF	Glycerin
	300 kD	3081467902E--SW	0,02	1-14	Nein	4	50	≤1,0	PVDF	Glycerin
Hydrosart®	2 kD	3081441902E--SW	0,02	2-14	Nein	4	50	≤1,0	PVDF	Ethanol
	5 kD	3081442902E--SW	0,02	2-14	Nein	4	50	≤1,0	PVDF	Ethanol
	10 kD	3081443902E--SW	0,02	2-14	Nein	4	50	≤1,0	PVDF	Ethanol
	30 kD	3081445902E--SW	0,02	2-14	Nein	4	50	≤1,0	PVDF	Ethanol
	100 kD	3081446802E--SW	0,02	2-14	Nein	4	50	≤1,0	PVDF	Ethanol
	300 kD	3081447902E--SW	0,02	2-14	Nein	4	50	≤1,0	PVDF	Ethanol

#### Sartococon® Slice 200 Mikrofiltration-Cassetten

Membranmaterial	Porengröße [µm]	Bestell-Nr.	wirksame Filtrationsfläche [m <sup>2</sup> ]	pH Stabilität	thermisch sterilisierbar	maximaler p <sub>feed</sub> [bar] bei 20°C	maximale Dauerbetriebstemperatur [°C]	Werte für Luftdiffusion ml Luft/min bei p <sub>feed</sub>	Dichtung	Konservierungsmittel <sup>1)</sup>
Polyethersulfon (PESU)	0,1	3081545802W--SW	0,02	1-14	Nein	4	50	≤1,5	PVDF	Ethanol
Hydrosart®	0,2	3081860602W--SW	0,02	2-14	Nein	4	50	≤1,5	PVDF	Ethanol
	0,45	3081860702W--SW	0,02	2-14	Nein	4	50	≤1,5	PVDF	Ethanol

<sup>1)</sup> Das Konservierungsmittel ist entweder Ethanol 20-24 Gew.-% oder Glycerin.

## 6.2 Technische Spezifikationen Sartoco<sup>®</sup> Slice

### Sartoco<sup>®</sup> Slice Ultrafiltration-Cassetten

Membranmaterial	nomminale Molekulargewichtstrenngrenze [NMWCO]	Bestell-Nr.	wirksame Filtrationsfläche [m <sup>2</sup> ]	pH Stabilität	thermisch sterilisierbar	maximaler p <sub>feed</sub> [bar] bei 20°C	maximale Dauerbetriebstemperatur [°C]	Werte für Luftdiffusion ml Luft/min bei p <sub>feed</sub> = 1 bar	Dichtung	Konservierungsmittel <sup>1)</sup>
Polyethersulfon (PESU)	1 kD	3051460901E--SW	0,1	1-14	Nein	4	50	≤ 15	PVDF	Glycerin
	5 kD	3051462901E--SW	0,1	1-14	Nein	4	50	≤ 15	PVDF	Glycerin
	8 kD	3051463401E--SW	0,1	1-14	Nein	4	50	≤ 15	PVDF	Ethanol
	10 kD	3051463901E--SW	0,1	1-14	Nein	4	50	≤ 15	PVDF	Ethanol
	Albumin	305146AL01K--SW	0,1	1-14	Nein	4	50	≤ 5	PVDF	Ethanol
	30 kD	3051465901E--SW	0,1	1-14	Nein	4	50	≤ 15	PVDF	Ethanol
	50 kD	3051465001E--SW	0,1	1-14	Nein	4	50	≤ 15	PVDF	Ethanol
	100 kD	3051466801E--SW	0,1	1-14	Nein	4	50	≤ 15	PVDF	Glycerin
	300 kD	3051467901E--SW	0,1	1-14	Nein	4	50	≤ 15	PVDF	Glycerin
Hydrosart <sup>®</sup>	2 kD	3051441901E--SW	0,1	2-14	Nein	4	50	≤ 5	PVDF	Ethanol
	5 kD	3051442901E--SW	0,1	2-14	Nein	4	50	≤ 5	PVDF	Ethanol
	10 kD	3051443901E--SW	0,1	2-14	Nein	4	50	≤ 5	PVDF	Ethanol
	30 kD	3051445901E--SW	0,1	2-14	Nein	4	50	≤ 5	PVDF	Ethanol
	100 kD	3051446801E--SW	0,1	2-14	Nein	4	50	≤ 5	PVDF	Ethanol
	300 kD	3051447901E--SW	0,1	2-14	Nein	4	50	≤ 5	PVDF	Ethanol

### Sartoco<sup>®</sup> Slice Microfiltration-Cassetten

Membranmaterial	Porengröße [µm]	Bestell-Nr.	wirksame Filtrationsfläche [m <sup>2</sup> ]	pH Stabilität	thermisch sterilisierbar	maximaler p <sub>feed</sub> [bar] bei 20°C	maximale Dauerbetriebstemperatur [°C]	Werte für Luftdiffusion ml Luft/min bei p <sub>feed</sub> = 1 bar	Dichtung	Konservierungsmittel <sup>1)</sup>
Polyethersulfon (PESU)	0,1	3051545801W--SW	0,1	1-14	Ja	4	50	≤ 15	PVDF	Ethanol
Hydrosart <sup>®</sup>	0,2	3051860701W--SW	0,1	2-14	Ja	4	50	≤ 15	PVDF	Ethanol
	0,45	3051860601W--SW	0,1	2-14	Ja	4	50	≤ 15	PVDF	Ethanol

<sup>1)</sup> Das Konservierungsmittel ist entweder Ethanol 20–24 Gew.-% oder Glycerin.

## 6.3 Technische Spezifikationen Sartococon®

## Sartococon® Ultrafiltration-Cassetten

Membranmaterial	nomminale Molekulargewichtstrenngrenze [NMWCO]	Bestell-Nr.	wirksame Filtrationsfläche [m <sup>2</sup> ]	pH Stabilität	thermisch sterilisierbar	maximaler p <sub>feed</sub> [bar] bei 20°C	maximale Dauerbetriebstemperatur [°C]	Werte für Luftdiffusion ml Luft/min bei p <sub>feed</sub> = 1 bar	Dichtung	Konservierungsmittel <sup>1)</sup>
Polyethersulfon (PESU)	1 kD	3021460907E--SW	0,7	1-14	Nein	4	50	≤ 50	PVDF	Glycerin
	5 kD	3021462907E--SW	0,7	1-14	Nein	4	50	≤ 50	PVDF	Glycerin
	8 kD	3021463407E--SW	0,7	1-14	Nein	4	50	≤ 50	PVDF	Ethanol
	10 kD	3021463907E--SW	0,7	1-14	Nein	4	50	≤ 50	PVDF	Ethanol
	Albumin	302146AL07K--SW	0,7	1-14	Nein	4	50	≤ 20	PVDF	Ethanol
	30 kD	3021465907E--SW	0,7	1-14	Ja	4	50	≤ 50	PVDF	Ethanol
	50 kD	3021465007E--SW	0,7	1-14	Nein	4	50	≤ 50	PVDF	Ethanol
	100 kD	3021466807E--SW	0,7	1-14	Ja	4	50	≤ 50	PVDF	Glycerin
	300 kD	3021467907E--SW	0,7	1-14	Ja	4	50	≤ 50	PVDF	Glycerin
Hydrosart®	2 kD	3021441906E--SW	0,6	2-14	Ja	4	50	≤ 15	PVDF	Ethanol
	5 kD	3021442906E--SW	0,6	2-14	Ja	4	50	≤ 15	PVDF	Ethanol
	10 kD	3021443906E--SW	0,6	2-14	Ja	4	50	≤ 15	PVDF	Ethanol
	30 kD	3021445906E--SW	0,6	2-14	Ja	4	50	≤ 15	PVDF	Ethanol
	100 kD	3021446806E--SW	0,6	2-14	Ja	4	50	≤ 15	PVDF	Ethanol
	300 kD	3021447906E--SW	0,6	2-14	Ja	4	50	≤ 15	PVDF	Ethanol

## Sartococon® Microfiltration-Cassetten

Membranmaterial	Porengröße [µm]	Bestell-Nr.	wirksame Filtrationsfläche [m <sup>2</sup> ]	pH Stabilität	thermisch sterilisierbar	maximaler p <sub>feed</sub> [bar] bei 20°C	maximale Dauerbetriebstemperatur [°C]	Werte für Luftdiffusion ml Luft/min bei p <sub>feed</sub> = 1 bar	Dichtung	Konservierungsmittel <sup>1)</sup>
Polyethersulfon (PESU)	0,1	3021545806W--SW	0,6	1-14	Ja	4	50	≤ 15	PVDF	Ethanol
Hydrosart®	0,2	3021860706W--SW	0,6	2-14	Ja	4	50	≤ 50	PVDF	Ethanol
	0,45	3021860606W--SW	0,6	2-14	Ja	4	50	≤ 50	PVDF	Ethanol

<sup>1)</sup> Das Konservierungsmittel ist entweder Ethanol 20-24 Gew.-% oder Glycerin.

## 6.4 Technische Spezifikationen Sartocube®

### Sartocube® Ultrafiltration-Cassetten

Membranmaterial	nomminale Molekulargewichtstrenngrenze [NMWCO]	Bestell-Nr.	wirksame Filtrationsfläche [m <sup>2</sup> ]	pH Stabilität	thermisch sterilisierbar	maximaler p <sub>feed</sub> [bar] bei 20°C	maximale Dauerbetriebstemperatur [°C]	Werte für Luftdiffusion ml Luft/min bei p <sub>feed</sub> = 1 bar	Dichtung	Konservierungsmittel <sup>1)</sup>
Polyethersulfon (PESU)	1 kD	3021460935E-BSW*	3,5	1-14	Nein	4	50	≤ 50	PVDF	Glycerin
	5 kD	3021462935E-BSW*	3,5	1-14	Nein	4	50	≤ 50	PVDF	Glycerin
	8 kD	3021463435E-BSW*	3,5	1-14	Nein	4	50	≤ 50	PVDF	Ethanol
	10 kD	3021463935E-BSW	3,5	1-14	Nein	4	50	≤ 50	PVDF	Ethanol
	Albumin	302146AL35K-BSW	3,5	1-14	Nein	4	50	≤ 50	PVDF	Ethanol
	30 kD	3021465935E-BSW	3,5	1-14	Ja	4	50	≤ 50	PVDF	Ethanol
	50 kD	3021465035E-BSW	3,5	1-14	Nein	4	50	≤ 50	PVDF	Ethanol
	100 kD	3021466835E-BSW	3,5	1-14	Ja	4	50	≤ 50	PVDF	Glycerin
Hydrosart®	300 kD	3021467935E-BSW	3,5	1-14	Ja	4	50	≤ 50	PVDF	Glycerin
	2 kD	3021441930E-BSW	3,0	2-14	Nein	4	50	≤ 50	PVDF	Ethanol
	5 kD	3021442930E-BSW	3,0	2-14	Nein	4	50	≤ 50	PVDF	Ethanol
	10 kD	3021443930E-BSW	3,0	2-14	Nein	4	50	≤ 50	PVDF	Ethanol
	30 kD	3021445930E-BSW	3,0	2-14	Nein	4	50	≤ 50	PVDF	Ethanol
	100 kD	3021446830E-BSW	3,0	2-14	Nein	4	50	≤ 50	PVDF	Ethanol
	300 kD	3021447930E-BSW	3,0	2-14	Nein	4	50	≤ 50	PVDF	Ethanol

### Sartocube® Microfiltration-Cassetten

Membranmaterial	Porengröße [µm]	Bestell-Nr.	wirksame Filtrationsfläche [m <sup>2</sup> ]	pH Stabilität	thermisch sterilisierbar	maximaler p <sub>feed</sub> [bar] bei 20°C	maximale Dauerbetriebstemperatur [°C]	Werte für Luftdiffusion ml Luft/min bei p <sub>feed</sub> = 1 bar	Dichtung	Konservierungsmittel <sup>1)</sup>
Polyethersulfon (PESU)	0,1	3021545830W-BSW	3,0	1-14	Ja	4	50	≤ 50	PVDF	Ethanol
Hydrosart®	0,2	3021860730W-BSW	3,0	2-14	Ja	4	50	≤ 100	PVDF	Ethanol
	0,45	3021860630W-BSW	3,0	2-14	Ja	4	50	≤ 100	PVDF	Ethanol

<sup>1)</sup> Das Konservierungsmittel ist entweder Ethanol 20-24 Gew.-% oder Glycerin.

\* Nicht Verfügbar

Sartorius Stedim Biotech GmbH  
August-Spindler-Strasse 11  
37079 Goettingen, Germany

Phone: +49 551 308 0  
www.sartorius.com

The information and figures contained in these instructions correspond to the version date specified below.

Sartorius reserves the right to make changes to the technology, features, specifications and design of the equipment without notice.

Masculine or feminine forms are used to facilitate legibility in these instructions and always simultaneously denote the other gender as well.

Copyright notice:

This instruction manual, including all of its components, is protected by copyright. Any use beyond the limits of the copyright law is not permitted without our approval.

This applies in particular to reprinting, translation and editing irrespective of the type of media used.

© Sartorius Germany

Last updated:

10 | 2020



# List of Sartorius material numbers applying to EPA-FIFRA

---

3021446806E-SW	3081860602O-SW
----------------	----------------

---

3021446830E-BSW	3081860602W-SW
-----------------	----------------

---

3021466807E-SW	3081860702O-SW
----------------	----------------

---

3021466835E-BSW	3081860702W-SW
-----------------	----------------

---

3021467907E-SW	
----------------	--

---

3021467935E-BSW	
-----------------	--

---

3021545806W-SW	
----------------	--

---

3021750707E-WLV	
-----------------	--

---

3021860606W-SW	
----------------	--

---

3021860706W-SW	
----------------	--

---

3022040407EH-D	
----------------	--

---

3051446801E-SW	
----------------	--

---

3051466801E-SW	
----------------	--

---

3051467901E-SW	
----------------	--

---

3051545801W-SW	
----------------	--

---

3051860601W-SW	
----------------	--

---

3051860701W-SW	
----------------	--

---

3081446802E-SG	
----------------	--

---

3081446802E-SW	
----------------	--

---

3081447902E-SW	
----------------	--

---

3081466802E-SG	
----------------	--

---

3081466802E-SW	
----------------	--

---

3081467902E-SW	
----------------	--

---

3081545802W-SW	
----------------	--

---