

# Flow Stand Lab and Lab Hollow Fiber Module Holders

Stainless Steel Stands and  
Module Holders to Secure  
Your Hollow Fiber Module

## Executive Summary

Take advantage of vertical lab space. Flow Stand Lab and interchangeable flow stand lab module holders are designed to securely mount a Discover, Explorer, Researcher or Investigator hollow fiber module on a lab bench. The vertical position of the module optimizes placement of lab equipment and facilitates set up and ease of processing.

## Unique Selling Points

### Take Advantage of Vertical Lab Space

- Designed to securely mount your hollow fiber module or hollow fiber Flow Assembly on a lab bench
- Optimized placement
- Reduced footprint
- Height adjusting handles: Module holders have an easy to use handle to adjust the height of your module or Flow Assembly
- Capable of holding 12 inch, 24 inch and 41 inch modules (24 inch and 41 inch require two module holders)



## Relevant Applications

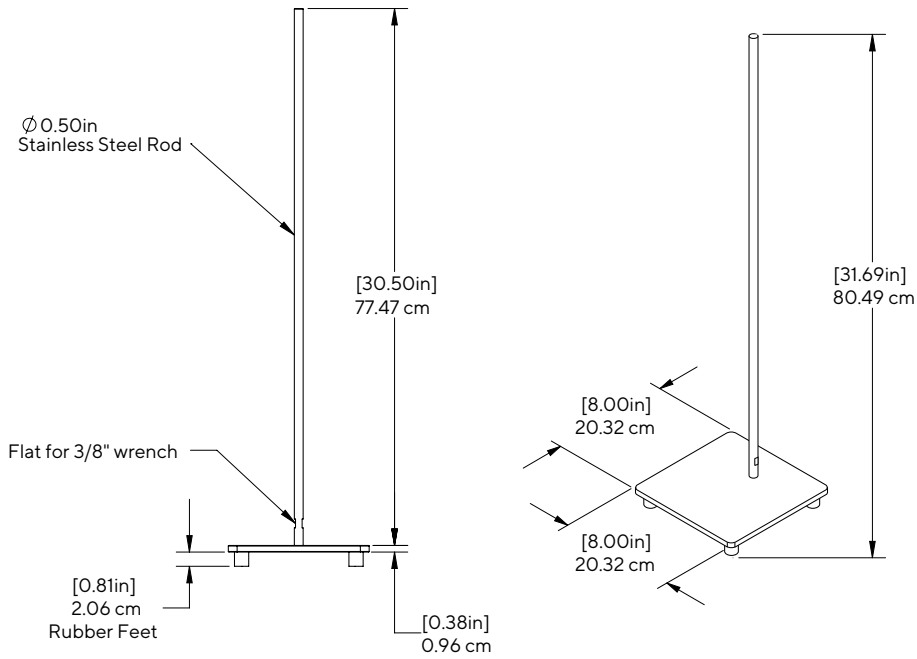
- Concentration and purification of vaccines
- Concentration and diafiltration of gene therapy products
- Cell-harvest (e.g. excellent results have been achieved with both *E. Coli* whole cells and *E. Coli* lysates, as well as other microbial process streams.)
- Clarification of mammalian | CHO cell cultures and maximizing protein recovery
- Concentration | diafiltration of monoclonal antibodies, recombinant proteins, biological macromolecules and peptides.

## Technical Specifications

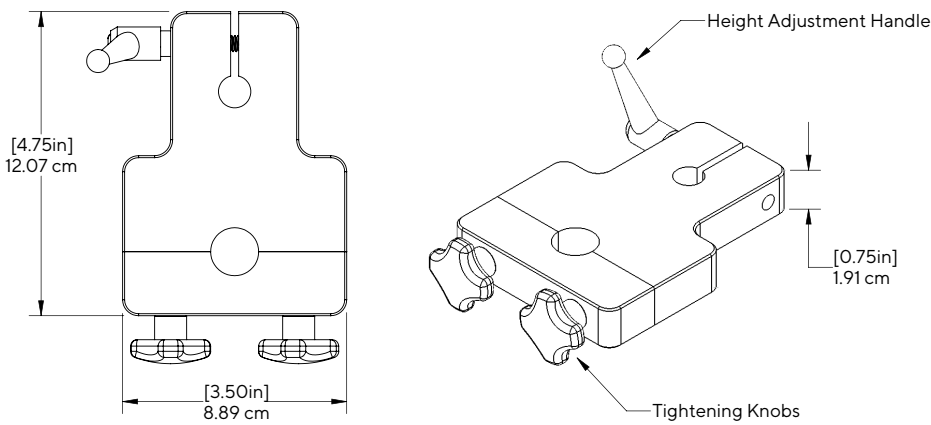
Attribute	Flow Stand	Flow Stand Lab Module Holder
Materials of construction (not in fluid contact)	<b>Base and Rod</b> 316 L stainless steel	<b>Module Holder</b> Polyethylene (not autoclavable)
	<b>Feet</b> Rubber - SBR	<b>Threaded Rods</b> 18-8 stainless steel
		<b>Tightening Knobs and Height Adjustment Handle</b> 303 stainless steel
Dimensions	<b>Rod Dimensions</b> 30.5" (77.47 cm) long × 0.5" (1.27 cm) diameter	<b>Module Holder Dimensions</b> 4.75" (12.07 cm) long × 3.5" (8.89 cm) wide × 0.75" (1.91 cm) thickness
	<b>Base Dimensions</b> 8.0" (20.32 cm) long × 8.0" (20.32 cm) wide × 0.5" (1.27 cm) thickness	<b>Diameter of Rod Opening</b> 0.5" (1.27 cm) diameter
	<b>Weight with Module Holder</b> 10 lbs (4.54 kg)	<b>Diameter of Module Opening</b> 0.38" (0.95 cm) - Discover 0.5" (1.27 cm) - Explorer 0.75" (1.91 cm) - Researcher 1.32" (3.34 cm) - Investigator

# Overview

## Flow Stand Lab



## Flow Stand Lab Module Holder



# Ordering Information

	Flow Stand Lab	Flow Stand Lab Module Holder
Discover	FCLABSTAND0001	FCDISLABHOLD01
Explorer		FCEXPLABHOLD01
Researcher		FCRESLABHOLD01
Investigator		FCINVLABHOLD01

**Germany**

Sartorius Stedim Biotech GmbH  
August-Spindler-Strasse 11  
37079 Goettingen  
Phone +49 551 308 0

**USA**

Sartorius Stedim North America Inc.  
565 Johnson Avenue  
Bohemia, NY 11716  
Toll-Free +1 800 368 7178

 For further contacts, visit  
[www.sartorius.com](http://www.sartorius.com)