

Hollow Fiber TFF Modules

Gamma Irradiated,
Humectant-Free and
Ready to Use



Product Information

Hollow fiber modules are engineered to deliver cost-efficiency, time savings, space conservation, and enhanced flexibility through a scalable design. These modules support a linear and predictive scale-up process from laboratory to pilot-scale to manufacturing scale, utilizing consistent materials, fluid-path lengths, and performance characteristics. The modules are fully scalable, supporting batch volumes from 3 mL to 1,500 L, with corresponding membrane surface areas ranging from 0.0017 ft² (0.00016 m²) to 166.0 ft² (15.42 m²).

These features make Single-use Line hollow fiber modules an ideal choice for a wide range of applications, ensuring reliable performance and ease of use across different scales.

Features and Benefits

- Molecular Weight Cut-offs (MWCO): Available from 3 kD to 750 kD
- Pore Sizes: Offered from 0.1 µm to 0.45 µm
- Lumen IDs: Available in 0.5 mm and 1.0 mm
- Sanitization: The modules can be flushed with NaOH for effective sanitization.
- Delivery Condition: Gamma-irradiated and integrity tested

Introduction

Relevant Applications

Sartorius Hollow Fiber Modules are designed for biopharmaceutical processing. They can be used for the following applications.

Upstream

- Cell harvest
- Cell or lysate clarification

Downstream

- Concentration
- Diafiltration

Technical Specifications

| Attribute | Hollow Fiber TFF Modules Single-Use Line |
|------------------|---|
| Biocompatibility | The module as assembled is USP Class VI compliant |
| Membrane | Modified Polyethersulfone (m-PES) |
| Housing | White Polysulfone |
| Encapsulant | Epoxy |

| Name | Scale | Fiber Length [inch] | Dimensions in inches [cm] | Membrane surface area [ft ² (m ²)]* | Recommended batch volume per module | Connections | |
|---------------|-------------|---------------------|-----------------------------|--|-------------------------------------|------------------|------------------|
| | | | | | | Feed Retentate | Permeate |
| Pioneer | Lab | 12 | 0.13×4.29 (0.33×10.90) | 0.018 (0.0017) | 3–80 mL | Luer Lock | Luer Lock |
| | | 24 | 0.13×8.13 (0.33×20.65) | 0.038 (0.0035) | 17–130 mL | | |
| Discover | Lab | 12 | 0.38×12.88 (0.95×32.72) | 0.056 (0.0052) | 10–250 mL | Luer Lock | Luer Lock |
| | | 24 | 0.38×24.38 (0.95×61.93) | 0.115 (0.0107) | 50–400 mL | | |
| | | 41 | 0.38×42.38 (0.95×107.65) | 0.208 (0.0193) | 80–850 mL | | |
| Explorer | Lab | 12 | 0.50×12.28 (1.27×31.20) | 0.17 (0.0155) | 150–750 mL | ½-inch TC | ⅜-inch Hose Barb |
| | | 24 | 0.50×23.82 (1.27×60.50) | 0.35 (0.0321) | 250–1,500 mL | | |
| | | 41 | 0.50×41.18 (1.27×106.20) | 0.62 (0.0579) | 300–3,000 mL | | |
| Researcher | Lab Pilot | 12 | 0.75×12.28 (1.91×31.2) | 0.48 (0.0444) | 400–2,000 mL | ¾-inch TC | ⅝-inch Hose Barb |
| | | 24 | 0.75×23.66 (1.91×60.1) | 1.01 (0.0940) | 700–4,000 mL | | |
| | | 41 | 0.75×41.77 (1.91×106.10) | 1.85 (0.1716) | 1,000–8,000 mL | | |
| Researcher XL | Lab Pilot | 12 | 0.75×12.28 (1.91×31.20) | 0.66 (0.0617) | 0.56–2.8 L | ¾-inch TC | ⅝-inch Hose Barb |
| | | 24 | 0.75×23.66 (1.91×60.10) | 1.41 (0.1305) | 0.98–5.6 L | | |
| | | 41 | 0.75×41.77 (1.91×106.10) | 2.57 (0.2383) | 1.4–11.2 L | | |
| Investigator | Lab Pilot | 12 | 1.32×12.01 (3.34×30.50) | 1.4 (0.13) | 1–6 L | 1½-inch TC | ½-inch TC |
| | | 24 | 1.32×23.50 (3.34×59.70) | 3.0 (0.28) | 2–12 L | | |
| | | 41 | 1.32×41.50 (3.34×105.4) | 5.4 (0.51) | 3–25 L | | |

| Name | Scale | Fiber Length [inch] | Dimensions in inches [cm] | Membrane surface area [ft ² (m ²)]* | Recommended batch volume per module | Connections | |
|---|--------------------|---------------------|-------------------------------|--|-------------------------------------|--|------------|
| | | | | | | Feed Retentate | Permeate |
| Mini Bioproducer | Pilot Production | 12 | 2.70×15.00 (6.86×38.10) | 6.6 (0.61) | 5–50 L | 1½-inch TC | ¾-inch TC |
| | | 24 | 2.70×26.50 (6.86×67.30) | 14.5 (1.35) | 10–100 L | | |
| | | 41 | 2.70×44.49 (6.86×113.00) | 26.9 (2.50) | 25–250 L | | |
| Bioproducer | Production | 12 | 3.50×15.00 (8.89×38.10) | 13.1 (1.21) | 25–100 L | 1½-inch TC | 1-inch TC |
| | | 24 | 3.50×26.50 (8.89×67.30) | 29.0 (2.69) | 50–250 L | | |
| | | 41 | 3.50×44.49 (8.89×113.00) | 53.8 (5.00) | 100–500 L | | |
| Maximizer | Production | 24 | 4.62×28.80 (11.73×73.15) | 58.4 (5.42) | 100–500 L | 2-inch TC | 1½-inch TC |
| | | 41 | 4.62×46.50 (11.73×118.1) | 104.9 (9.74) | 250–1,000 L | | |
| Grand XL ** (only with 1.0 and 2.0 mm Fiber IDs) | Production | 24 | 6.015×32.65 (15.28×82.93) | 87.2 (8.10) | 250–800 L | 6-inch TC*** Reducer Adaptors 6-inch TC Standard Sanitary × 2½-inch Standard Sanitary Fitting | 1-inch TC |
| | | 43 | 6.015×51.65 (15.28×131.19) | 166.0 (15.42) | 400–1,500 L | | |

* Membrane surface valid for all fiber IDs. For number of fibers per module please consider the Validation Guide.

** Grand XL dimension are with adaptors.

*** Grand XL Single-use need adaptor kit: BAADAPTGRAXXTC

The adapter kit includes two 6-inch (15.24 cm) × 2½-inch (6.35 cm) TC adaptor end caps, two 6-inch (15.24 cm) TC platinum cured silicone gaskets, and two 6-inch (15.24 cm) TC white nylon clamps.

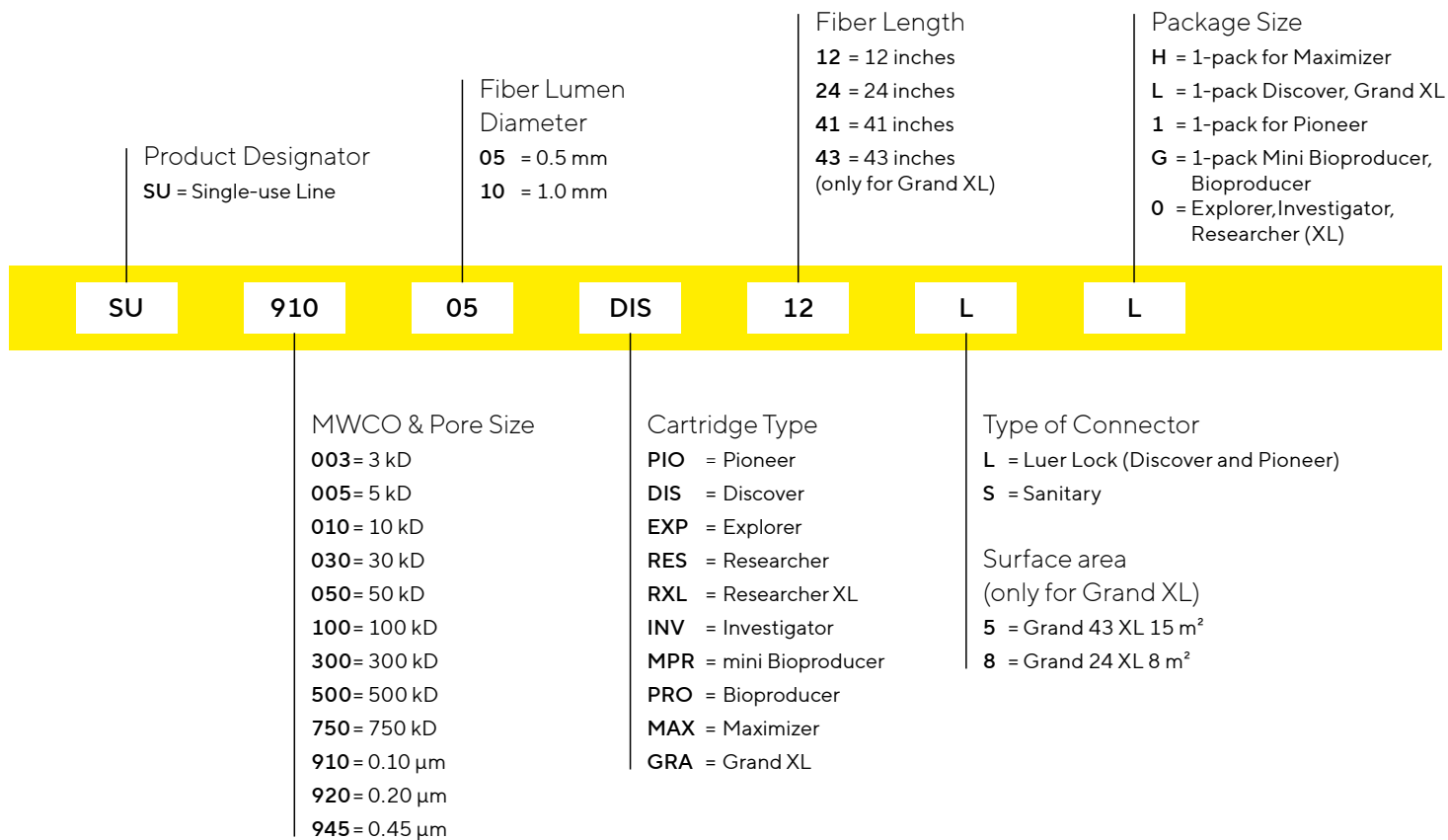
Available MWCO and Pore Sizes for Different Fiber IDs

The tables stated below are valid for all sizes and lengths, if not stated otherwise.

| Fiber ID | MWCO | | | | | | | | | Pore Size | | |
|----------|------|------|-------|-------|-------|--------|--------|--------|--------|-----------|--------|---------|
| | 3 kD | 5 kD | 10 kD | 30 kD | 50 kD | 100 kD | 300 kD | 500 kD | 750 kD | 0.1 µm | 0.2 µm | 0.45 µm |
| 0.5 mm* | ■ | ■ | ■ | ■ | ■ | ■ | ■ | ■ | ■ | – | – | – |
| 1.0 mm | ■ | ■ | ■ | ■ | ■ | ■ | ■ | ■ | ■ | ■ | ■ | ■ |

* Not available for Grand XL

Ordering Information

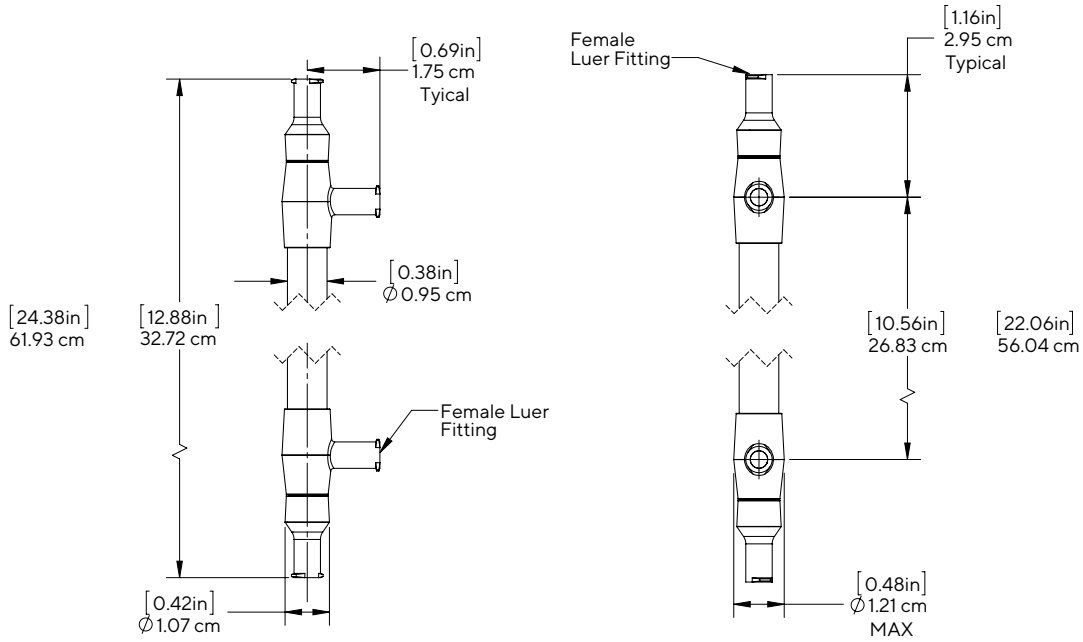


Please consult the specification table on page 3 to learn more about the possible combinations.

Overview

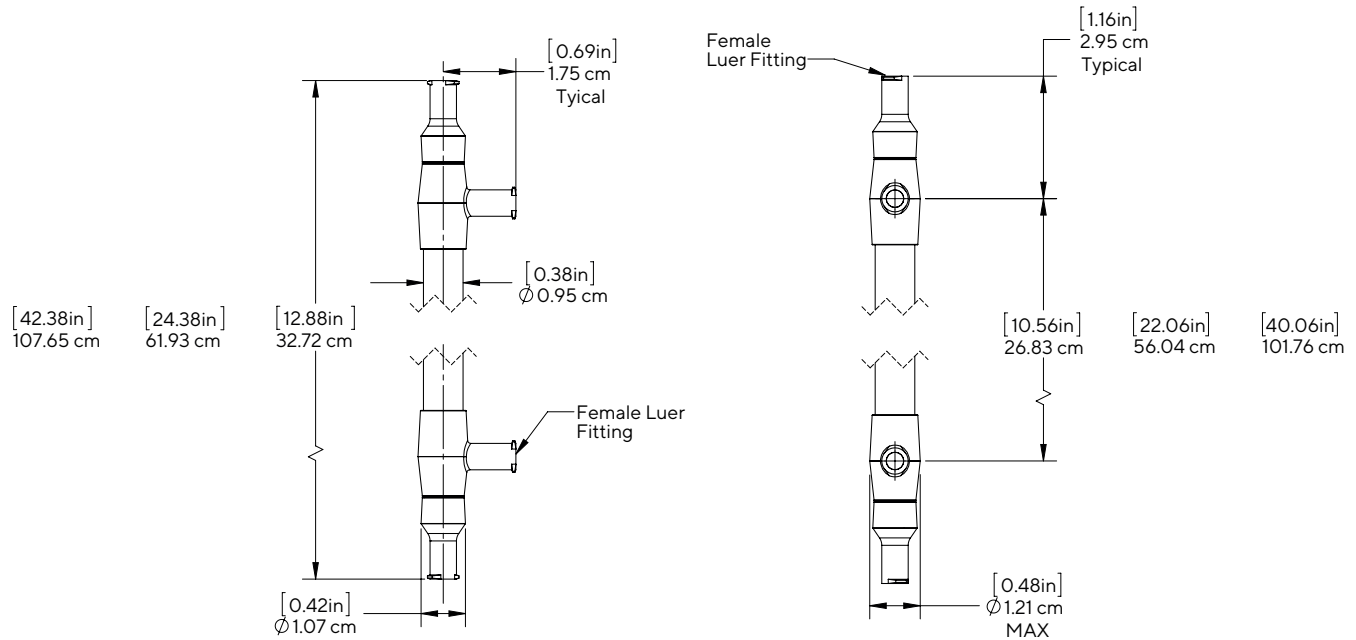
Pioneer

Exact length for different Fiber length: 12 or 24 inch



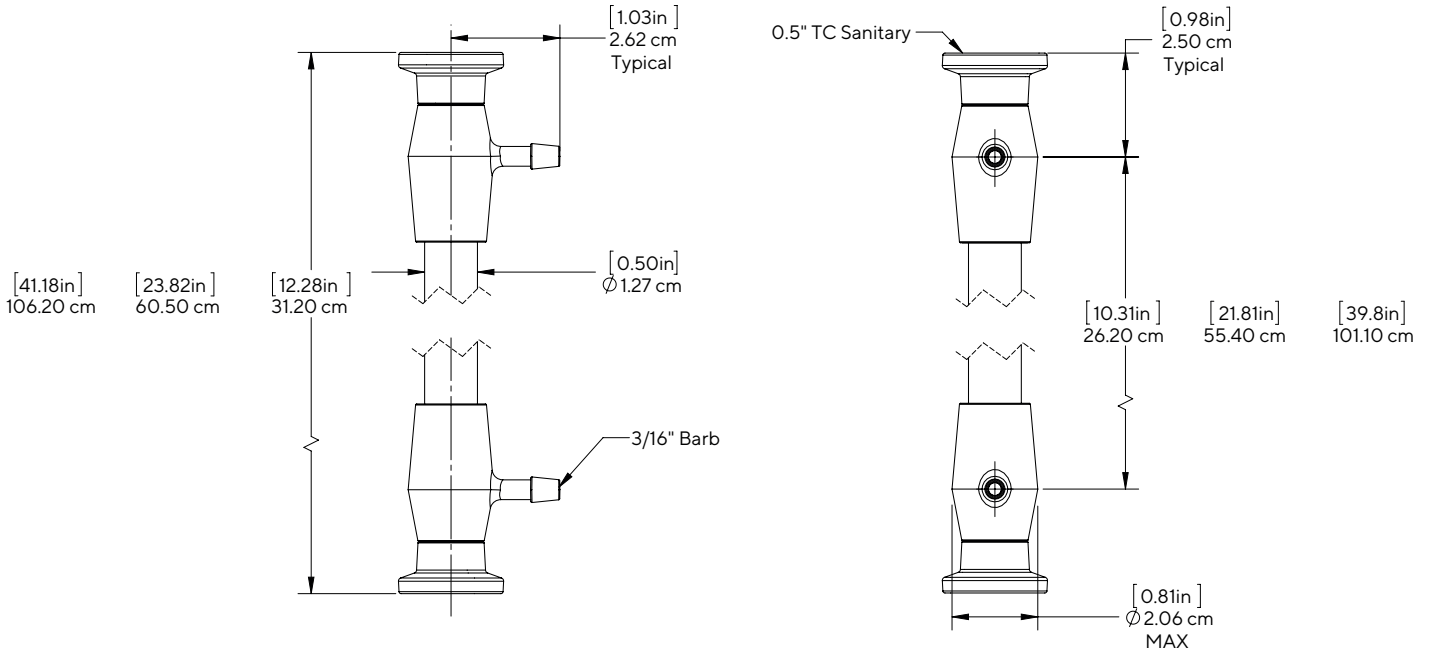
Discover

Exact length for different Fiber length: 12, 24 or 41 inch



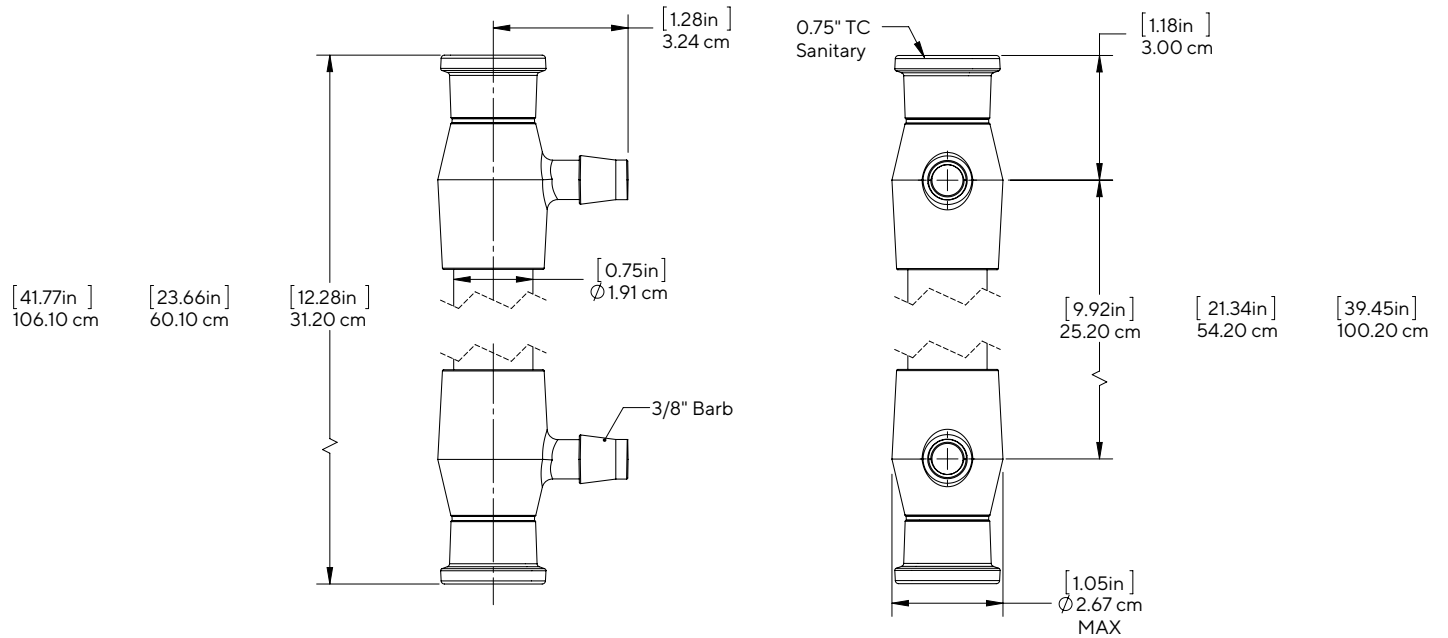
Explorer

Exact length for different Fiber length: 12, 24 or 41 inch



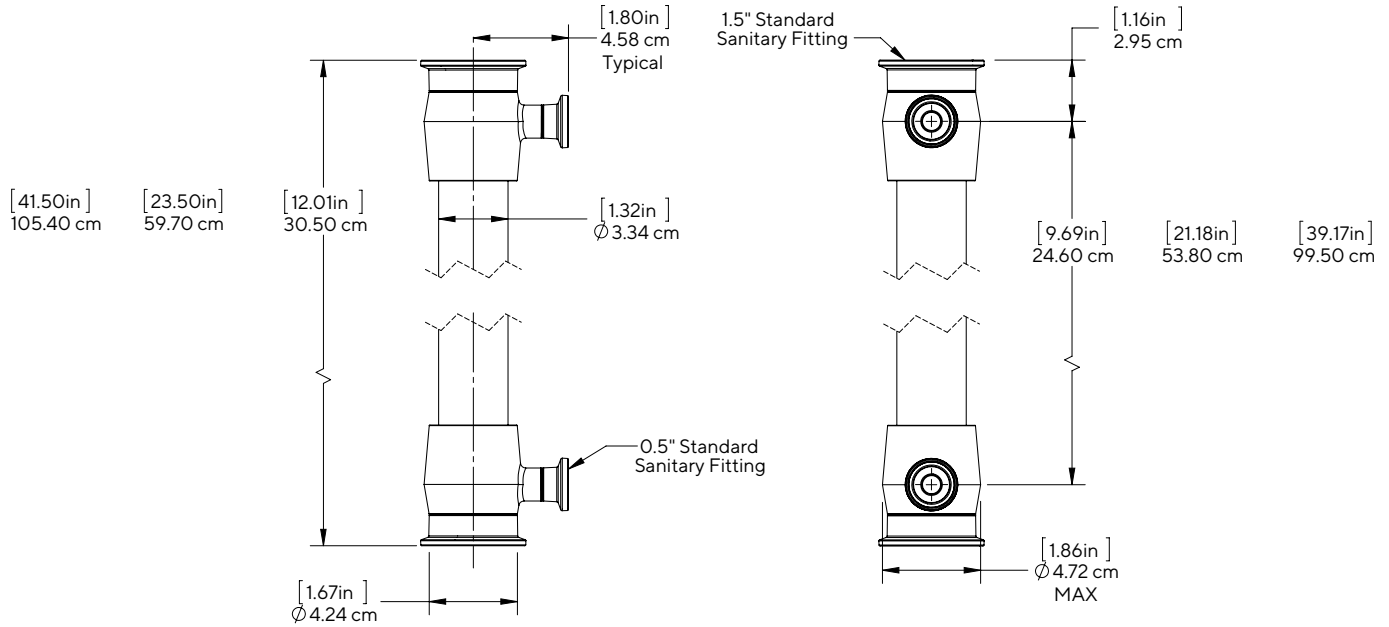
Researcher & Researcher XL

Exact length for different Fiber length: 12, 24 or 41 inch



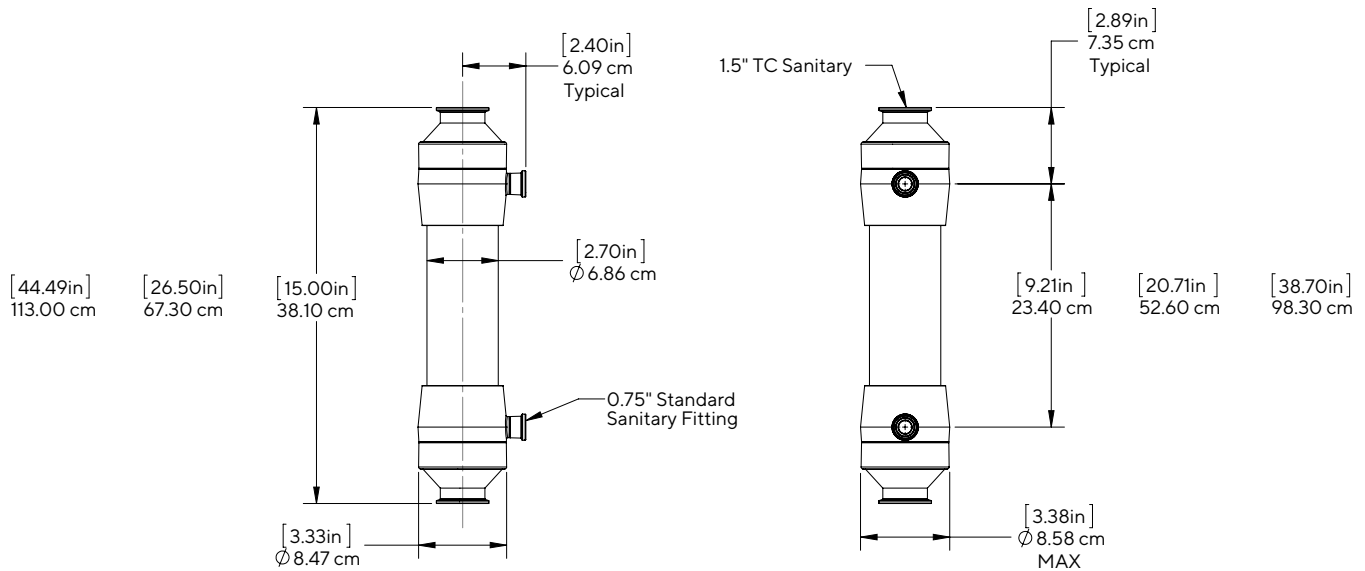
Investigator

Exact length for different Fiber length: 12, 24 or 41 inch



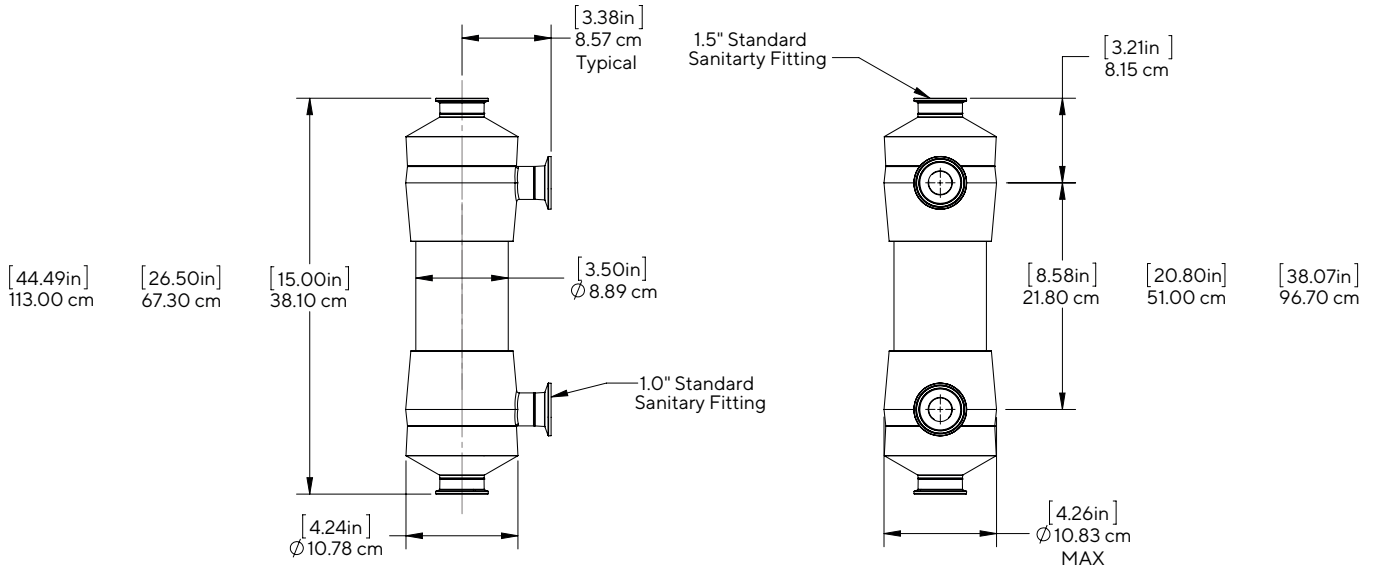
Mini Bioproducer

Exact length for different Fiber length: 12, 24 or 41 inch



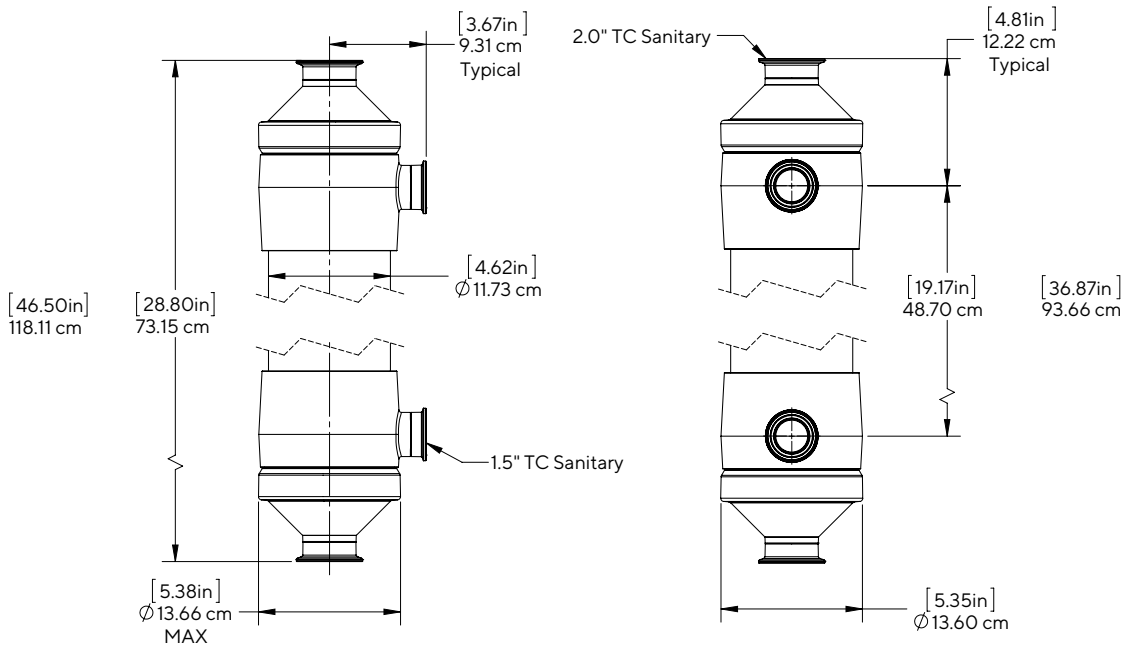
Bioproducer

Exact length for different Fiber length: 12, 24 or 41 inch



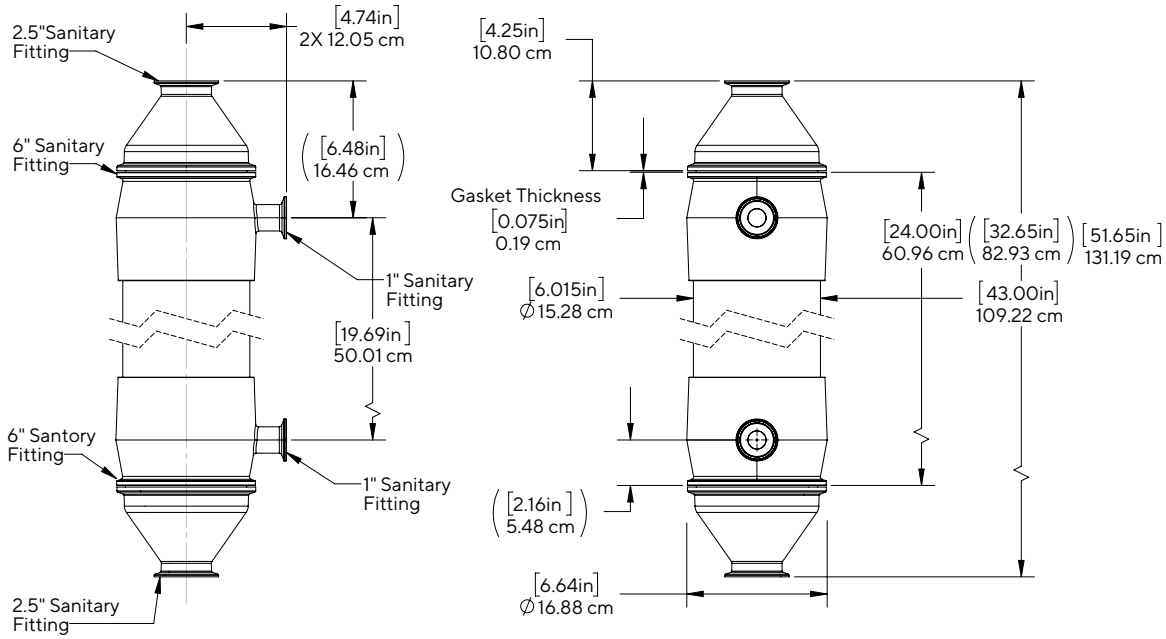
Maximizer

Exact length for different Fiber length: 24 or 41 inch



Grand XL*

Exact length for different Fiber length: 24 or 43 inch



* Shown with removable adaptors

Note: Grand XL Single-use need adaptor kit: BAADAPTGRAXXTC

The adaptor kit includes two 6-inch (15.24 cm) x 2½-inch (6.35 cm) TC adaptor end caps, two 6-inch (15.24 cm) TC platinum cured silicone gaskets, and two 6-inch (15.24 cm) TC white nylon clamps.

Germany

Sartorius Stedim Biotech GmbH
August-Spindler-Strasse 11
37079 Goettingen
Phone +49 551 308 0

USA

Sartorius Stedim North America Inc.
565 Johnson Avenue
Bohemia, NY 11716
Toll-Free +1 800 368 7178

 **For more information, visit**
[sartorius.com](https://www.sartorius.com)