

# Midicaps<sup>®</sup> Holder

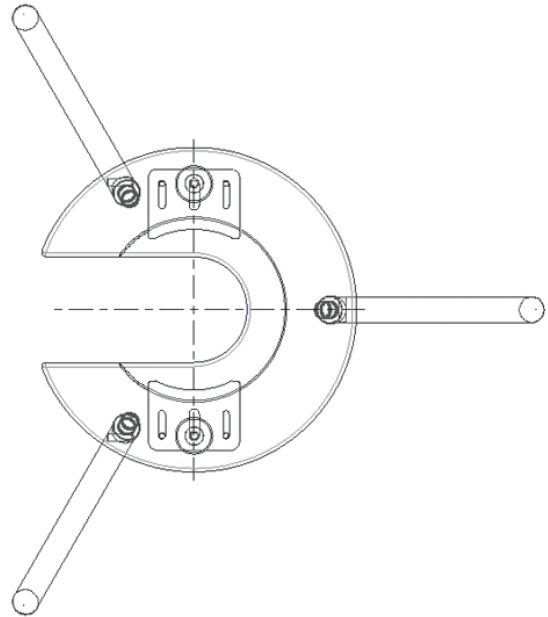


## Description

The Sartorius Stedim Midicaps<sup>®</sup> holder has been specially designed to integrate Midicaps<sup>®</sup> into biopharmaceutical processes. Thanks to its sturdy construction, this holder is highly stable, thus enabling trouble-free integration of Midicaps<sup>®</sup> into plant equipment. The open design additionally makes it easy to clean thoroughly.

The holder is designed to accommodate all installation heights. A few easy steps are all it takes to exchange the filter elements. Midicaps<sup>®</sup> is attached to the holder using two knurled thumbscrews that can be tightened without the use of any tools. When Midicaps<sup>®</sup> is mounted on the holder, all connections are readily accessible.





## Ordercode

Holder single round	5ZGLG-0007
---------------------	------------

## Accessories and Spareparts

Knurled thumbscrew	5ZGB-V0005
Legs (3pcs)	7EFL-9002
TC Gasket Silicone 1½" (2pcs)	7EDSCV0003
TC Gasket Silicone ½" (2pcs)	7EDSCV0001
Clamp closure 1½"	7ZSB-0009
Clamp closure ½"	7ZSB-0001

## Technical Description

Material	316 L 304 Knurled thumbscrews
Weight	3.1 kg
Height	336 mm without Midicaps®
Diameter	148 mm
Root circle	360 mm

### Germany

Sartorius Stedim Biotech GmbH  
August-Spindler-Strasse 11  
37079 Goettingen  
Phone +49 551 308 0

### USA

Sartorius Stedim North America Inc.  
565 Johnson Avenue  
Bohemia, NY 11716  
Toll-Free +1 800 368 7178

🌐 For further contacts, visit  
[www.sartorius.com](http://www.sartorius.com)

Specifications subject to change without notice.  
© 2021 Sartorius Stedim Biotech GmbH, August-Spindler-Strasse 11, 37079 Goettingen, Germany

Publication No.: S--2062-e10071 | Order No.: 85037-539-16 | Status: 02 | 18 | 2021