

ProfiLine

OEM weigh cells

WZA224-ND



A stable and accurate result is presented within 250 ms.

WZA...	224-ND
Capacity	220 g
Readability	0.1 mg

Outstanding Features

Based on the WZA-N series this model is optimized for fast weighing results combined with minimized vibration interference. A stable and accurate result is presented within 250 ms.

The weigh cell consist of two parts:

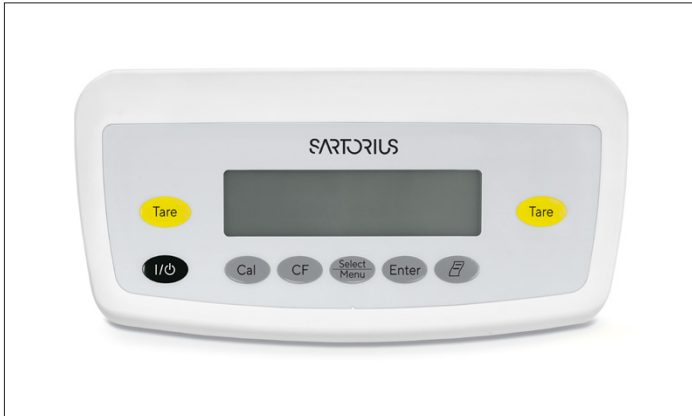
- A monolithic weighing system in stainless steel IP44 housing
- Aluminium electronic box, all connection via the front

- Force compensation technology weighing system with a resolution of 0.1 mg
- Excellent weighing technology bundled with easy adaptation
- Adjustable load receptor with overload protection, optional lift-off protection
- Possibility for under floor weighing
- Interconnection on electronic front panel
- LED's to control power and data transfer
- Fast warm-up by separation of weighing system and electronics
- RS232C interface for configuration and data transfer
- Optional PC-software with menu setting and weigh data display functions
- Display can be plugged during operation
- Fast and precise weigh results for process applications

Technical Data



Aluminium electronic box



YAC01ED (optional)

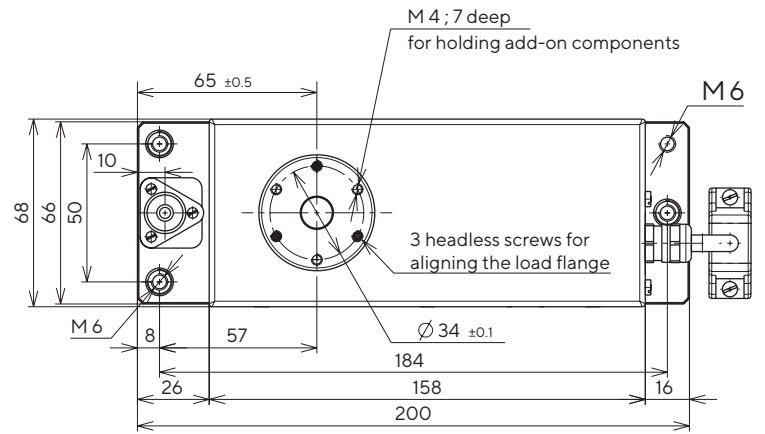
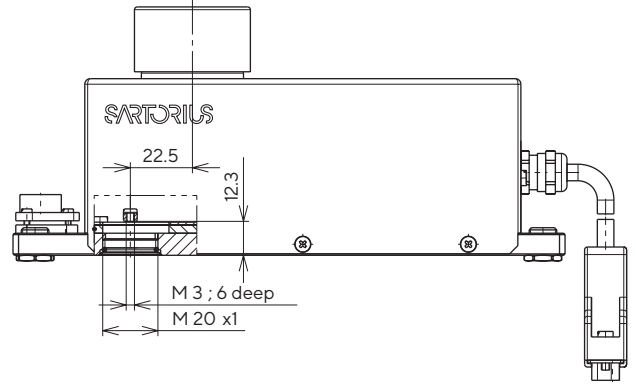
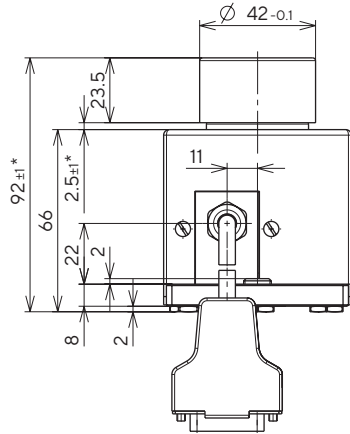
Model	WZA224-ND
Capacity	220 g
Readability	0.1 mg
Optimal Working point preload max ¹⁾	175 g 70 g
Repeatability (standard deviation) ²⁾	≤± 0.1 mg
Linearity	≤± 0.2 mg
Measuring time ²⁾³⁾	250 ms ± 1 mg 0.6 s ± 0.1 mg
Data output rate	≤ 150 Hz
Operating temperature range	+10 +30 °C
Allowable temperature range	+5 +40 °C
Weigh cell dimension	68 × 200 × 92 mm (base × height)
Electronic PCB dimension	130 × 208 × 45 mm (base × height)
Load receptor (adjustable, with overload protection)	42 mm (diameter), 26 mm height above housing
Under floor load receptor	M3 thread
Cable length weigh cell to electronics	3 m
Power supply	YEPS01-15V0H 100 - 240VAC, 50 - 60Hz 15V DC
Power supply (alternative)	12...26, optimal 15V (+15% -10%); 0.5V _{pp} (Peak to Peak)
Power consumption	8 VA (average)
Interface	RS232C, software hardware hand- shake; No system power via RS232 connector

Options | Accessories

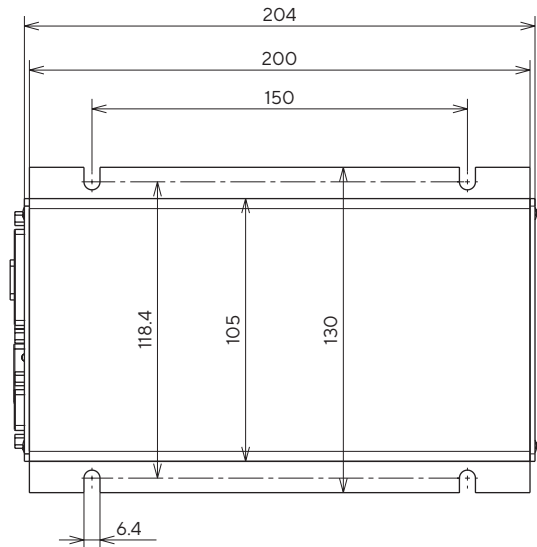
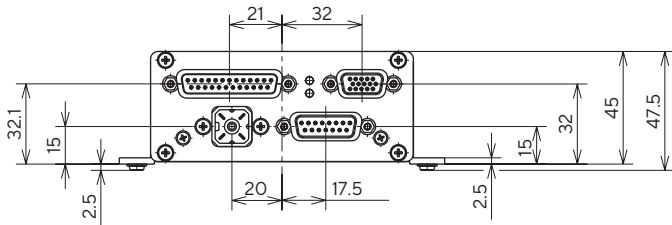
Windows configuration software for test and adjustment	Sartorius CAS Suite
Liquid-crystal display	YAC01ED
Weigh pan to realize lift off protection	YWPO1WZA

- 1) the preload can be configured by using the Sartorius CAS Suite software; higher preload will reduce the weighing range
- 2) depending on measurement equipment set-up and conditions;
- 3) measuring time is the time in which the measured value is in the given range around the static end value; test weight is approx. 25% of the weighing range.

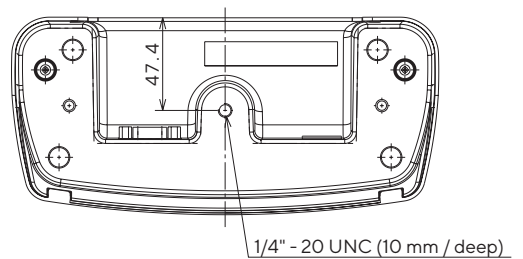
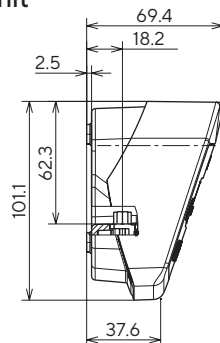
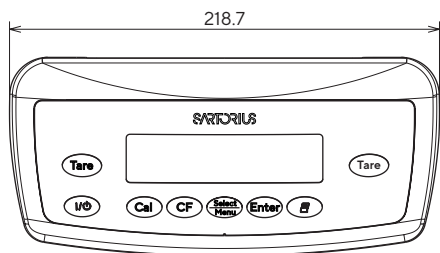
Weigh cell



Aluminium electronic box



Optional YAC01ED Display and Control Unit



Dimensions in mm

Germany

Sartorius Lab Instruments GmbH & Co. KG
Otto-Brenner-Strasse 20
37079 Goettingen
Phone +49 551 308 0

France & Suisse Romande

Phone +33 170 62 50 00

Finland & Baltics

Phone +358 9 755 951

Italy

Phone +39 0362 5557 11

U.K.

Phone +44 1372 737159

USA

Toll-free +1 800 635 2906

China


Phone +86 21 6878 2300

Japan

Phone +81 3 6478 5200

South Korea

Phone +82 31 622 5700

 For further contacts, visit
www.sartorius.com