

# PMA Evolution

Model EVO1X2

For Use in Zone 1

(Class I, Div 1) Hazardous Areas



## Benefits

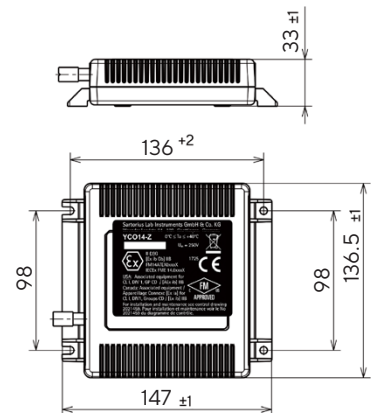
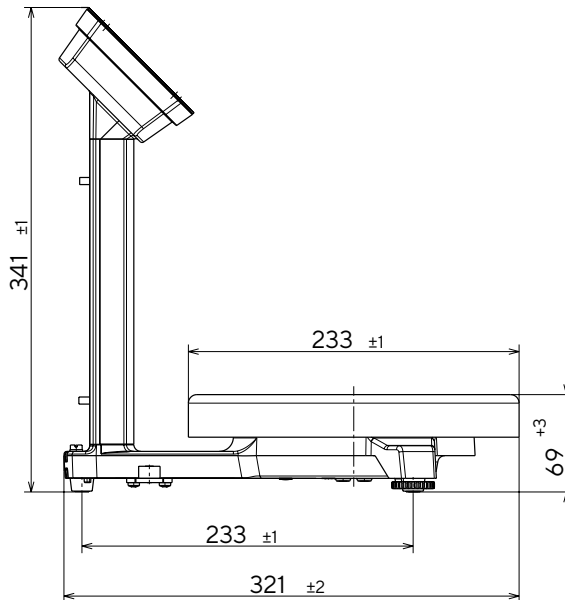
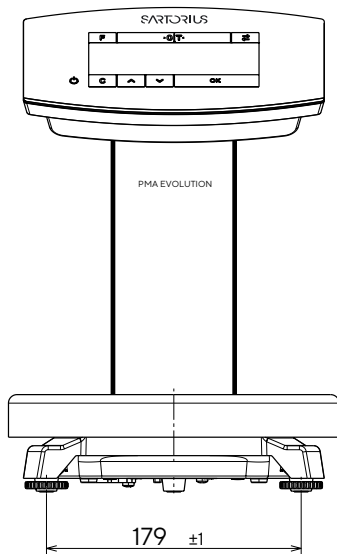
- One cable for power and data
- Integrated mixing module processes one formulation
- New high contrast display technology
- Glass sensor touch technology
- Multi-lock security function

# Technical Specifications

Model	EVO1X2
Weighing capacity	7,500   999.95 g
Readability	0.1   0.05 g
Tare range (subtractive)	-7,500 g
Weighing pan (Ø)	233 mm
Housing (W×D×H)	233×321×341 mm
Net weight	approx. 2.4 kg
External calibration weight	1, 2, 5 kg (class F2 or better)
Allowable operating temperature	5 ... 40 °C (41 ... 104°F)
Dust and water protection rating in accordance to EN 60529/IEC 60529	IP40
Power supply	via USB 2.0 or higher or power supply YEPS01-USB

Input voltage   power consumption	5 V <sub>DC</sub>   2 W
Approval IECEX ATEX FM (USA) FM (CAN) PCEC (CN)	Ex zone 1   Class I, Div 1 Ex ib IIB T4 Gb II 2G Ex ib IIB T4 Gb Ex ia IS CL I, DIV 1, GP CD, T4; CL I, Zone 1, AEx ib IIB T4 IS CL I, DIV 1, GP CD, T4; CL I, Zone 1, Ex ib IIB T4 EX ib IIB T4 Gb
Data output	USB   Type B
Format	7-bit ASCII, 1 Start-bit, 1 or 2 Stop-Bits
Parity	Even, odd, no parity
Transmission rates	1,200 to 57,600 Bit/s
Handshake mode	Software, Hardware or None
Internal application	Integrated mixing module Recalculation (correction of over-pours) Calculation by factor (0.25 - 5.0) Dual range 0.05 g (up to 999.95 g) Hardware test and communication symbol

# Technical Drawings



# Accessories

## Standard Accessories

Ex Link converter	YCO14-Y
Link cable to converter, length 10 m (32.8 ft.)	YCC01-0052M10
Grounding cable, 2 m (6.5 ft.)	YCC01-X046M2
USB cable, length 3 m (9.8 ft.)	YCC01-0040M3

## Optional Accessories

In-use cover for display (set of 10)	YDC03PMA10
In-use cover for column (set of 10)	YDC03PMA-CO10
In-use cover for weighing pan (set of 10)	YDC03PMA-WP10
Link cable to converter, length 20 m (65.6 ft.)	YCC01-0052M20
Link cable to converter, length 30 m (98.4 ft.)	YCC01-0052M30
USB power plug 5.2 VDC   1400 mA	YEPS01-USB
AC-adapter set (US, EU, UK)	YEPS01-PS1
AC- adapter set (AU, ZA, BR, AR)	YEPS01-PS6
AC- adapter set (IN, KR, CN)	YEPS01-PS7
External calibration weight 1 kg (class F2)	YCW614-AC-00
External calibration weight 1 kg (class F2) with DAKKS certificate	YCW614-AC-02
External calibration weight 2 kg (class F2)	YCW624-AC-00
External calibration weight 2 kg (class F2) with DAKKS certificate	YCW624-AC-02
External calibration weight 5 kg (class F2)	YCW654-AC-00
External calibration weight 5 kg (class F2) with DAKKS certificate	YCW654-AC-02




EVO1X2 rear view

**Germany**

Sartorius Lab Instruments GmbH & Co. KG  
Otto-Brenner-Strasse 20  
37079 Goettingen  
Phone +49 551 308 0

**USA**

Sartorius Corporation  
565 Johnson Avenue  
Bohemia, NY 11716  
Phone +1 631 254 4249  
Toll-free +1 800 635 2906

 For further information, visit  
[www.sartorius.com](http://www.sartorius.com)