

PMA Evolution

Model EVO1S1

For Use in Non-hazardous
Areas



Benefits

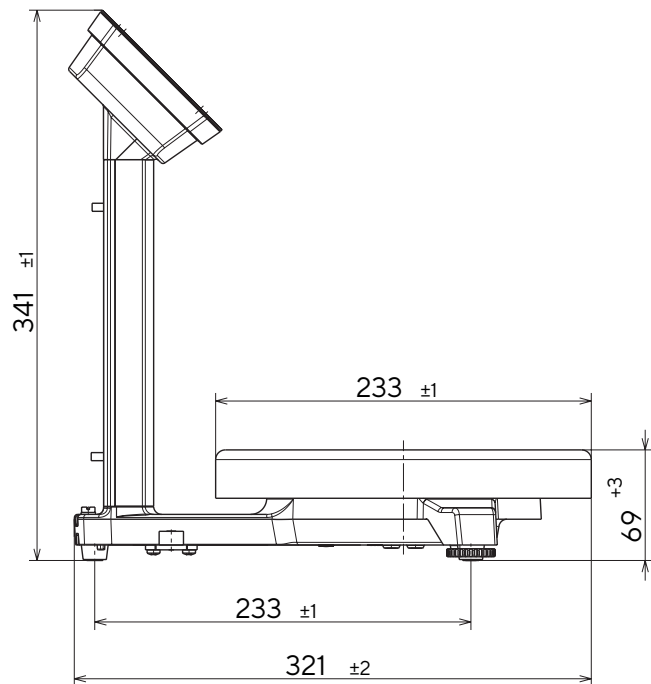
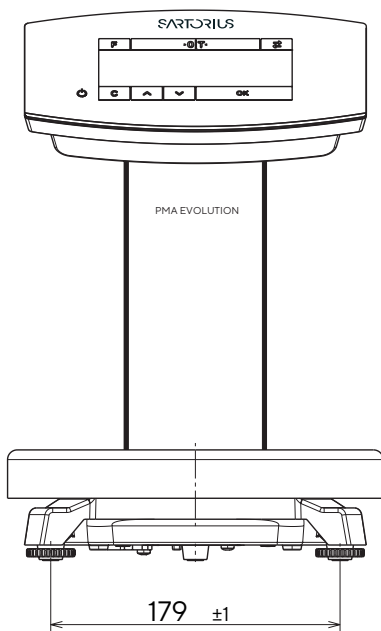
- One cable for power and data
- Integrated mixing module processes one formulation
- New high contrast display technology
- Glass sensor touch technology
- Multi-lock security function

Technical Specifications

Model	EVOIS1
Weighing capacity	7,500 999.95 g
Readability	0.1 0.05 g
Tare range (subtractive)	-7,500 g
Weighing pan (Ø)	233 mm
Housing (W×D×H)	233×321×341 mm
Net weight	approx. 2.4 kg
External calibration weight	1, 2, 5 kg (class F2 or better)
Allowable operating temperature	5 ... 40 °C
Dust and water protection rating in accordance to EN 60529/IEC 60529	IP40
Power supply	via USB 2.0 or higher or power supply YEPS01-USB

Input voltage power consumption	5 V _{DC} 2 W
Data output	USB Type B
Format	7-bit ASCII, 1 Start-bit, 1 or 2 Stop-Bits
Parity	Even, odd, no parity
Transmission rates	1,200 to 57,600 Bit/s
Handshake mode	Software, Hardware or None
Internal application	Integrated mixing module Recalculation (correction of over-pours) Calculation by factor (0.25 – 5.0) Stand-alone recipe processing (absolute, additive) Dual range 0.05 g (up to 999.95 g) Hardware test and communication symbol

Technical Drawings



Accessories

Standard Accessories

USB cable, length 3 m (9.8 ft.)	YCC01-0040M3
---------------------------------	--------------

Optional Accessories

In-use cover for display (set of 10)	YDC03PMA10
In-use cover for column (set of 10)	YDC03PMA-CO10
In-use cover for weighing pan (set of 10)	YDC03PMA-WP10
USB power plug 5.2 VDC 1400 mA	YEPS01-USB
AC-adaptor set (US, EU, UK)	YEPS01-PS1
AC-adaptor set (AU, ZA, BR, AR)	YEPS01-PS6
AC-adaptor set (IN, KR, CN)	YEPS01-PS7
External calibration weight 1 kg (class F2)	YCW614-AC-00
External calibration weight 1 kg (class F2) with DAKKS certificate	YCW614-AC-02
External calibration weight 2 kg (class F2)	YCW624-AC-00
External calibration weight 2 kg (class F2) with DAKKS certificate	YCW624-AC-02
External calibration weight 5 kg (class F2)	YCW654-AC-00
External calibration weight 5 kg (class F2) with DAKKS certificate	YCW654-AC-02




EVO1S1 rear view

Germany

Sartorius Lab Instruments GmbH & Co. KG
Otto-Brenner-Strasse 20
37079 Goettingen
Phone +49 551 308 0

USA

Sartorius Corporation
565 Johnson Avenue
Bohemia, NY 11716
Phone +1 631 254 4249
Toll-free +1 800 635 2906

 For further information, visit
www.sartorius.com