

Installation Instructions | Installationsanleitung | Notice d'installation |
Instrucciones de instalación | Installationsanvisning

PMA Evolution | PMA HD

EVO1X | LAB1X

Paint-mixing Scales for Use in Potentially Explosive Atmospheres |

Farbmischwaagen für den Einsatz in explosionsgefährdeten Bereichen |

Balances pour peintures pour une utilisation dans des atmosphères explosives |

Balanzas para la mezcla de pinturas para el uso en áreas potencialmente explosivas |

Färgtillblandningsvägar för användning i explosionsfarliga områden



1000047798



SARTORIUS

Software drivers for configuration of USB interfaces:
Download online: www.sartorius.com/paintmixing

English – page 3

In cases involving questions of interpretation, the German-language version shall prevail.

Deutsch – Seite 13

Im Auslegungsfall ist die deutsche Sprache maßgeblich.

Français – page 23

En cas de questions concernant l'interprétation, la version en langue allemande fera autorité.

Español – página 33

En caso de interpretación, la versión en lengua alemana será determinante.

Svenska – sidan 43

I oklara fall är den tyska tolkningen avgörande.

Contents

1 About This Document	3
1.1 Scope	3
1.2 Symbols Used	3
2 Safety	3
2.1 Intended Use	3
2.2 Explosion Protection	4
2.3 Personnel Qualification	4
2.4 Significance of these Instructions	5
2.5 Proper Working Order of the Device	5
2.6 Work on the Electrical Equipment of the Device	5
2.7 Personal Protective Equipment	5
2.8 Safety Instructions Concerning Operation of the Device	5
3 Installation	5
3.1 Scope of Delivery	5
3.2 Unpacking	5
3.3 Selecting a Setup Location	5
3.4 Installing the Scale	6
3.5 Connecting the Grounding Cable	6
3.6 Establishing the Power Supply	7
3.7 Anti-theft Locking Device	8
3.8 Leveling	8
3.9 Warm-up Time	8
4 Cleaning and Maintenance	9
4.1 Cleaning	9
4.2 Servicing	9
5 Disposal	9
5.1 Information on Decontamination	9
6 Accessories	10
7 Serial Number Coding	10
8 Technical Data	11
8.1 General Data	11
8.2 Model-specific Data	12
8.3 Verified Models with EC Type Approval Certificate: Model-specific Technical Data	12
9 EU Declaration of Conformity	12

1 About This Document

1.1 Scope

This operating manual applies to paint-mixing scale models:

- EV01X
- LAB1X

1.2 Symbols Used

The term "device" used in these instructions always refers to the combined unit of scale, AC adapter and ex-link converter.

1.2.1 Warnings

WARNING

Denotes a danger with risk that death or severe injury may result if it is **not** avoided.

CAUTION


Denotes a danger with risk that moderate or minor injury may result if it is **not** avoided.

NOTICE


Denotes a danger that can result in property damage if the risk is **not** avoided.

1.2.2 Other Symbols

 Required action: Describes actions which must be carried out.

 Result: Describes the result of the activities carried out.

[] Text inside brackets refers to control and display elements.

 This symbol provides information for the sale of scales verified for use in legal metrology. In the following, the term "verified" is used to mean "verified for use in legal metrology" or "conformity-assessed."

Figures on the Operating Display

The figures in these instructions are based on "standard" scales. On verified scales, some displays and reports may deviate slightly from the figures. Where this is significant for operation, the differences will be explained in the text.

2 Safety

2.1 Intended Use

This scale is only intended for mixing colors and paints. Appropriate containers must be used for loading each type of material.

The scale can be operated via the display as a stand-alone device or using application software (e.g., a paint-mixing program from a paint manufacturer) installed on a connected PC. The PC is connected to the ex-link converter via a USB cable. Follow and observe the explosion protection instructions in Chapter 2.2, page 4.

These instructions are part of the device. The device is intended exclusively for use in accordance with these instructions.

Any further use beyond this is considered **improper**. If the device is **not** used properly: The protective systems of the device may be impaired. This can lead to unforeseeable personal injury or property damage. In the event of use in systems and under ambient conditions with higher safety requirements, you must observe the requirements and provisions applicable in your country.

Operating Conditions for the Device

The device may only be used indoors.

The device may only be used with the equipment and under the operating conditions described in the Technical Data section of these instructions.

You may **not** modify the device or make any technical changes on your own. Any retrofitting or technical changes to the device are only permitted with prior written permission by Sartorius.

Do not expose the device or accessories supplied by Sartorius to extreme temperatures, aggressive chemical vapors, moisture, shock, vibrations or strong electromagnetic fields. Observe the conditions of operation described in the Technical Data section.

The casing on all connection cables between the devices as well as on the wires inside the device housing are made of PVC. Chemicals that corrode this material must be kept away from these cables.

2.2 Explosion Protection

Use within the scope of validity of the European ATEX Directive:

- In accordance with Directive 2014/34/EU, the model in the EVO1X | LAB1X series is a category 2 device, suitable for use in Zone 1 potentially explosive areas.
- The ex-link converter YCO14-Z is only suitable for installation as an associated electrical apparatus outside of the potentially explosive area.
- The ex-link converter YCO14-Y is an associated electrical apparatus that can be used in Zone 2.
- Refer to the EC Type Examination Certificates from Page 53 for the device ID codes. Please observe the safety instructions in drawing 2023040 from Page 53.

Use in Canada and the USA:

The intrinsically safe scales in the EVO1X | LAB1X model series are suitable for use in Class I, Division 1 and Class I, Zone 1. The ex-link converter YCO14-Y can be used in Class I, Division 2 and Class I, Zone 2. Please observe Certificates of Conformity FM16US0226X and FM16CA0124X as well as Control Drawing 2021459 from Page 53.

Use in Australia/New Zealand:

Please observe IECEx Certificate of Conformity IECEx FME 14.0008X and Safety Instructions 2023040 from Page 53.

2.3 Personnel Qualification

These instructions are addressed to the target groups below mentioned. All persons working on the device must possess the stated knowledge and authorizations.

If **no** qualifications are indicated for the actions described in these instructions: The actions described are addressed to the "User" target group.

If individual actions must be carried out by other target groups or by Sartorius Service personnel: The qualification required will be indicated in the description of the action.

Target group Knowledge/responsibilities

User	The user is familiar with the operation of the device and the associated work processes. The user understands the hazards which may arise when working with the device and can avoid these hazards. The user has been trained in the operation of the device. Training takes place within the scope of startup and is carried out by the operating engineer/laboratory manager or the operator of the device.
Operating engineer/laboratory manager	The operating engineer/laboratory manager makes decisions about the use and configuration of the device. The operating engineer/laboratory manager has been trained in the operation of the device. Training takes place within the scope of startup and is carried out by Sartorius Service or the operator.
Electrician	A qualified electrician has the specialized training, knowledge, and experience as well as familiarity with applicable standards and regulations to evaluate the assigned work and identify possible hazards.
Operator	The operator of the device is responsible for compliance with safety requirements and workplace safety regulations. The operator must ensure that all persons who work on the device have access to the relevant information and have been instructed in work on the device.

2.4 Significance of these Instructions

Failure to follow the instructions in this manual can have serious consequences, e.g., exposure of individuals to electrical, mechanical, or chemical hazards.

- ▶ Before working with the device: Read the instructions carefully and completely.
- ▶ If these instructions are lost: Request a replacement or download the latest version from the Sartorius website (www.sartorius.com).
- ▶ The information contained in these instructions must be available to all individuals working on the device.

2.5 Proper Working Order of the Device

A damaged device can cause malfunctions or lead to hard-to-detect hazards.

- ▶ Only operate the device when it is safe and in perfect working order.
- ▶ Immediately disconnect the damaged device from the power.
- ▶ Have any malfunctions or damage repaired immediately by the Sartorius Service.

2.6 Work on the Electrical Equipment of the Device

Work on and modifications to the electrical equipment of the device may only be carried out by Sartorius Service personnel. The device may only be opened by Sartorius Service personnel.

M

Seal on Scales Verified for Use in Legal Metrology

Legislation requires that a seal be affixed to verified scales. On Sartorius devices, this seal takes the form of a sticker with the "Sartorius" logo. If the seal is removed, the validity of verification will become void and you must have your scale re-verified. The verification supplied here is for verified weighing instruments for use in the EEA. Please keep it in a safe place.

2.7 Personal Protective Equipment

Personal protective equipment to protect against risks arising from the material being processed.

- ▶ When the workplace or the process, in which the device is used, requires personal protective equipment: Wear personal protective equipment.

2.8 Safety Instructions Concerning Operation of the Device

- Take care that the glass panel of the operating display is not damaged (e.g., by falling objects, impact, or extreme pressure). If the glass panel is damaged, disconnect the device from the power supply immediately.

- The surface of the operating display should not be touched with pointed, sharp, hard, or rough objects. You should only use the touch pen provided or your fingertips. Do not use parts of clothing (e.g., sleeves) or sponges for cleaning because these can scratch the surface (e.g., due to rivets or buttons in the sleeve or sand in the sponge).
- Avoid generating static electricity on the glass panel of the operating display and plastic casing.



Danger of Damage to the Scale!

Never close a paint can using a hammer while it is still on the weighing pan. When closing, place the paint can on a firm, stable surface.

3 Installation

3.1 Scope of Delivery

Model	PMA.Evolution	PMA.HD
Large weighing pan: Ø 233 mm	x	–
Small weighing pan: Ø 180 mm	–	x
USB cable	x	x
Ex-link converter	x	x
Potential equalization cable	x	x
Link cable from converter to scale	x	x
Installation instructions	x	x

3.2 Unpacking

Procedure

- ▶ Open the packaging, making sure to remove all parts carefully.
- ▶ After unpacking the device, check it immediately for any external damage.
- ▶ If the device is stored temporarily: Store the device according to the ambient conditions (ambient conditions see Chapter "8.1 General Data", page 11).
- ▶ Save the box and all parts of the packaging for any future transport. All cables should be unplugged when transporting.

3.3 Selecting a Setup Location

Select the right setup location:

- Set up the device on a stable, even surface that is not exposed to vibrations.
- Maintain free access to the device at all times.
- The devices must be handled carefully according to the IP protection rating. The environment must be suitably secured.

- In the event of use in systems and under ambient conditions with higher safety requirements, you must observe the requirements and provisions applicable in your country.

Choose a location that is not subject to the following negative influences:

- Heat (heater or direct sunlight)
- Drafts from open windows, AC systems, and doors
- Extreme vibrations during weighing
- Heavy traffic areas (personnel)
- Extremely high humidity
- Electromagnetic fields
- Extremely dry air

Acclimatization

Condensation from humidity can form on the surfaces of a cold device when it is brought into a warm area. You should therefore let a device that has been disconnected from its power source acclimatize for approximately 2 hours before reconnecting it to the supply voltage.

3.4 Installing the Scale

NOTICE

The device must be disconnected from the power supply for all assembly work.

3.4.1 Place the weighing pan on the scale



- ▶ Place the weighing pan onto the scale from above.

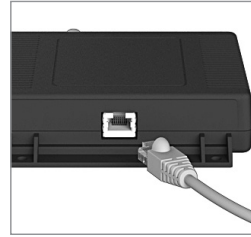
3.4.2 Connecting the Scale



- ▶ Insert the link cable plug into the RJ-45 socket on the back of the display.



- ▶ Lay the link cable (blue) through the cable holders on the back of the scale.



- ▶ Connect the link cable to the ex-link converter.

3.5 Connecting the Grounding Cable

Required qualification: Electrician

This explosion-protected system should be set up according to commonly accepted technical standards. The applicable national electrical code and safety regulations for your particular country must be observed.

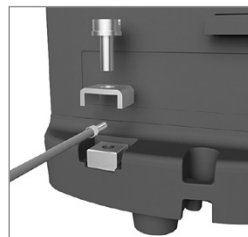
Before commissioning the scale, a check must be carried out by or under the supervision of a qualified electrician to ensure that the system is in good working order.

Check whether or not the competent authorities (e.g., industrial supervisory board) need to be informed. It is also necessary to carry out inspections of the system during operation.

Inspection intervals should be such that any significant defects that may occur can be identified in good time. Inspections should be carried out at least once every three years. The applicable requirements and guidelines should also be observed during operation.

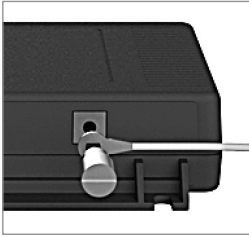
The system should only be operated for the first time when it is certain that the area is not potentially explosive. If deviations are evident during startup due to transport damage (e.g., no display, no backlighting), disconnect the scale from the power supply and contact the Sartorius Service Center.

Installation must be carried out properly by a trained electrician and according to commonly accepted technical standards.



Connect the scale to the equipotential bonding conductor using an equipotential bonding cable with a gauge of at least 4 mm².

- ▶ Connect the cable lug of the equipotential bonding cable to the grounding terminal of the scale.
- ▶ Connect the equipotential bonding cable to the customer-supplied equipotential bonding conductor.



Connect the ex-link converter to the equipotential bonding conductor using another equipotential bonding cable with a gauge of at least 4 mm².

- ▶ Connect the cable lug of the equipotential bonding cable to the grounding terminal of the ex-link converter.
- ▶ Connect the equipotential bonding cable to the customer-supplied equipotential bonding conductor.

3.6 Establishing the Power Supply

Required qualification: Electrician

The scale is connected to the power supply via a PC/notebook or using the optional AC adapter YEPS01-USB (see Chapter "6 Accessories", page 10), which is supplied with mains adapters for use in various countries.

NOTICE

- Ensure that the voltage rating printed on the AC adapter is identical to your local mains voltage (connection data see Chapter "8.1 General Data," page 11).
- If the stated supply voltage or the plug design of the AC adapter does not comply with your country's standard, please inform your nearest Sartorius representative.

Power supply via the AC adapter is only required:

- When no PC or notebook is available.
- In exceptional cases, when the output voltage of the USB interface of the PC or notebook is not sufficient.

AC adapter assembly is described in the following.

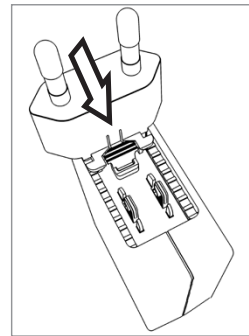
3.6.1 Installing AC Adapter

- ▶ **⚠ WARNING** Lethal electric shock and equipment damage due to incorrect power plug adapter! Only use the country-specific power plug adapter. Never plug the power plug adapter into the socket when it is disconnected from the AC adapter.
- ▶ Select the correct mains adapter for your mains power supply. The mains adapter must be suitable for use with the wall outlet at the installation site.

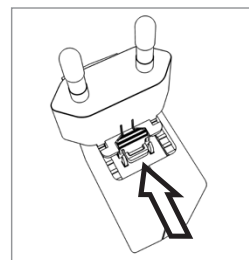
Mains adapter sets

Bag	Region/country
YEPS01-PS1	– USA and Japan (US+JP) – Europe (EU) – United Kingdom (GB)

Bag	Region/country
YEPS01-PS6	– Argentina (AR) – Brazil (BR) – Australia (AU) – South Africa (ZA)
YEPS01-PS7	– China (CN) – India (IN) – Korea (KR)

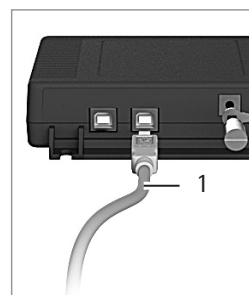


- ▶ Insert the power plug adapter into the power supply. The grooved button must be facing upwards.
- ▶ Push the power plug adapter as far as you can until it clicks into place.
- ▶ Check whether the power plug adapter is securely locked in place by pulling it gently.
- ▶ If the power plug adapter does not move, it is locked in place.



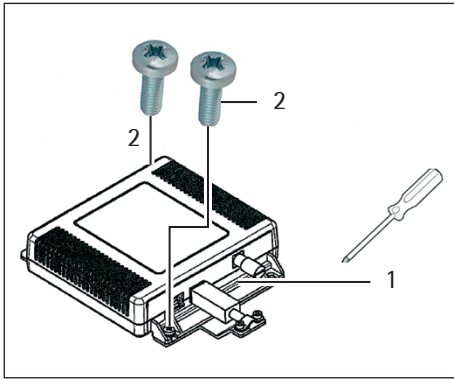
Removing/Replacing the Mains Adapter

- ▶ Press the grooved button from above and pull back on the mains adapter.
- ▶ Push the power plug adapter out of the power supply and remove it.

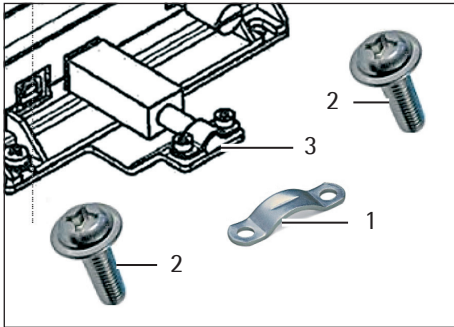


Connecting a PC/Notebook

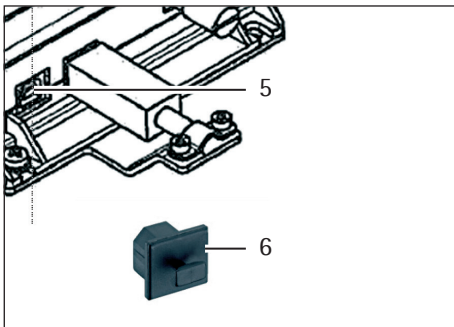
- ▶ Insert a USB cable (1) into the right-hand socket on the ex-link converter and connect the cable to a PC or notebook. If the ex-link converter YC014-Y is being used and installed in Zone 2 or Division 2 potentially explosive areas and the USB cable (1) does not have an intrinsically safe electrical circuit, the cable must be secured against disconnection. Refer to the Control Drawing 2021459 and Safety Instructions 2023040 from Page 53 as well as the following illustrations.



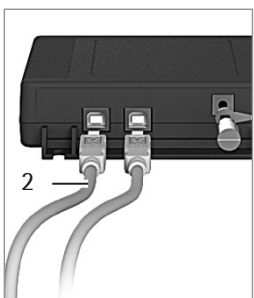
- ▶ Fasten the strain relief YSR01 to the converter (1) using the two screws (2).



- ▶ Attach the USB cable to the strain relief (1) using the clamp (3) and the two screws (4).



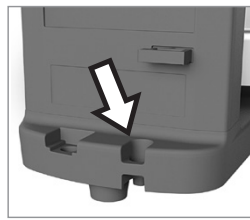
- ▶ Use the protective cap (6) to seal up the left-hand USB port (5).



Connecting the AC Adapter (Optional); not for YC014-Y when Installed in Zone 2 or Division 2 Potentially Explosive Areas

- ▶ Insert an additional USB cable (2) into the ex-link converter.
- ▶ Insert the USB cable into the YEPS01-USB AC adapter.
- ▶ Plug the AC adapter into a wall outlet (supply voltage).

3.7 Anti-theft Locking Device



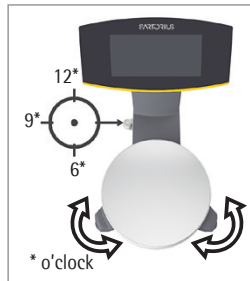
- ▶ If required, secure the scale at the back.

3.8 Leveling

Leveling for PMA.HD and Verified Models

Leveling the scale compensates for slant or unevenness at the place of installation. The scale must be perfectly horizontal to ensure consistent, reproducible weighing results.

The scale needs to be re-leveled and then adjusted if necessary each time its setup location is changed.



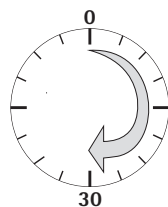
- ▶ Turn the two leveling feet as shown in the illustration until the air bubble is centered within the circle of the level indicator.
 - Air bubble at "12 o'clock:" Turn both feet clockwise.
 - Air bubble at "3 o'clock:" Turn the left foot clockwise and the right foot counterclockwise.
 - Air bubble at "6 o'clock:" Turn both feet counterclockwise.
 - Air bubble at "9 o'clock:" Turn the left foot counterclockwise and the right foot clockwise.

3.9 Warm-up Time

M

Using a Scale Verified for Use in Legal Metrology:

Ensure that there is a warm-up time of at least 24 hours after initial connection to the power supply.



To ensure accurate results are delivered, the scale must warm up for at least 30 minutes after initial connection to the power supply. Only then will the device have reached the required operating temperature.

4 Cleaning and Maintenance

4.1 Cleaning

Before cleaning the AC adapter, ex-link converter, or the scale: Disconnect all devices from the power supply.

WARNING Electrical Hazard from Voltage or Current

Disconnect the AC adapter (if connected) from the mains. Unplug any connected data cables from the ex-link converter. Never open the scale or the AC adapter. The parts contained in these cannot be cleaned, repaired or replaced by the operator.

NOTICE

Do not clean the following parts with acetone or aggressive cleaning agents:

- Mains socket
- Data interface
- Labels, and all other plastic parts

Procedure

- ▶ Disconnect the device from the power supply.
- ▶ **NOTICE** Make sure that no liquid or dust gets into the scale or the AC adapter.
- ▶ **NOTICE** Corrosion or damage to the device due to unsuitable cleaning agents!
 - ▶ **Do not** use corrosive, chloride-containing and aggressive cleaning agents.
 - ▶ **Do not** use cleaning agents that contain abrasive ingredients, e.g. scouring agents, steel wool.
 - ▶ Only use soft brushes and cloths for cleaning.
 - ▶ **Do not** use solvent-based cleaning agents.

Cleaning the Control Panel

- ▶ Before cleaning the control panel: Turn off the device as touching the screen could trigger unwanted inputs.

Cleaning the Device Housing

- ▶ Wipe off the housing with a slightly damp cloth. For more severe contamination, use a mild soap solution.
- ▶ Wipe the device with a soft cloth.

4.2 Servicing

To ensure the continued accuracy of your scale, we recommend scheduling regular servicing at least once a year. Sartorius Service offers different service contracts with maintenance intervals that are tailored to your needs.

A calibration certificate should always be issued as part of every maintenance session. Safety inspections of the AC adapter and its connections must be performed at appropriate intervals by a qualified electrician (e.g. every 2 years).

5 Disposal

5.1 Information on Decontamination

According to the EU directives [European directive on hazardous substances], the owners of devices that come into contact with hazardous substances are responsible for properly disposing of these devices and for declaring such devices when transporting them.

WARNING

Risk of injury due to contaminated devices!

Devices contaminated with hazardous materials (NBC contamination) will not be accepted for repair or disposal.

5.1.1 Information on Disposal

The device and its accessories **do not** belong in your regular household waste, since they are made of high-grade materials which can be recycled and reused. All parts must be disposed of properly by disposal facilities.

The packaging is made of environmentally friendly materials that can be used as secondary raw materials.

5.1.2 Disposal

Requirements

The device has been decontaminated.

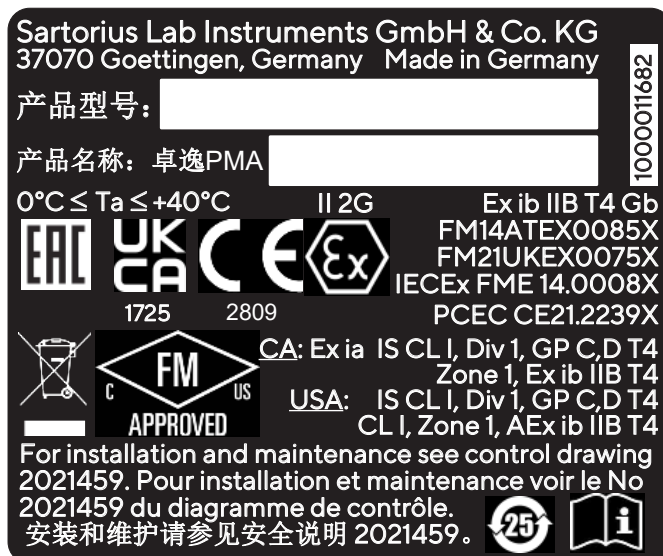
Procedure

- ▶ Dispose of the device. Follow the disposal instructions on our website (www.sartorius.com).
- ▶ Dispose of the packaging in accordance with local government regulations.

6 Accessories

Accessories	Order Number
Power supply (5.2 V/1.4 A)	YEPS01-USB
USB cable, 5 m	YCC01-0040M5
Mains adapter set for YEPS01-USB	YEPS01-PS1
– USA and Japan (US+JP)	
– Europe (EU)	
– United Kingdom (GB)	
Mains adapter set for YEPS01-USB	YEPS01-PS6
– Argentina (AR)	
– Brazil (BR)	
– Australia (AU)	
– South Africa (ZA)	
Mains adapter set for YEPS01-USB	YEPS01-PS7
– China (CN)	
– India (IN)	
– Korea (KR)	
Ex-link converter	YC014-Y
Ex-link converter	YC014-Z
Link cable	
from converter to scale, 10 m	YCC01-0052M10
from converter to scale, 20 m	YCC01-0052M20
from converter to scale, 30 m	YCC01-0052M30
Strain relief	YSR01
Equipotential bonding cable, 2 m	YCC01-X046M2
In-use dust cover	
for control panel, pack of 10	YDC03PMA10
for stand, PMA.Evolution, pack of 10	YDC03PMA-C010
for weighing pan, PMA.Evolution, pack of 10	YDC03P-MA-WP10
Calibration weights	
for PMA.Evolution:	
– 5 kg, accuracy class F2	YCW654-AC-00
– 2 kg, accuracy class F2	YCW624-AC-00
– 1 kg, accuracy class F2	YCW614-AC-00
for PMA.HD:	
– 2 kg, accuracy class F1	YCW623-AC-00
– 1 kg, accuracy class F1	YCW613-AC-00

7 Serial Number Coding



The manufacture date of this device is encoded in the serial number. The format is as follows:

YMM x x x x x	
Y	Year
3	2014-2020
4	2021-2027
5	2028-2034, etc.

The Y column indicates the year group, which covers a period of 7 years. Within each year group, the months (M M) are counted up from 13.

Year:	2018	2019	2020	2021	2022	...
MM:	61-72	73-84	85-96	13-24	25-36	...

Example:
388xxxxx (April 2020). "xxxxx" is a consecutive number. Every month it starts with 1 and increases consecutively.

8 Technical Data

8.1 General Data

Specification	Unit	Value
Scale		
Supply voltage		Only via USB interface or Sartorius AC adapter YEPS01-USB
Input voltage	V_{DC}	+4.5 to 5.0
Power consumption	W	2.0 (typically)
Further data		IP40 in accordance with EN 60529/IEC 60529
Ambient conditions		
The technical data apply under the following ambient conditions:		
Environment		For indoor use only.
Ambient temperature*	°C	0 to +40
Operational capability	°C	Guaranteed between +15 and +30
Storage and shipping	°C	-10 to +60
Relative humidity	%	Up to 80% for temperatures up to 30°C non-condensing, decreasing linearly up to 50% relative humidity at 40°C
Ex-link converter interface connection		USB, type B
Electromagnetic compatibility		In accordance with EN 61326-1/IEC 61326-1 Electrical equipment for measurement, control and laboratory use – EMC requirements – Part 1: General Requirements.
Interference resistance		Basic requirements
Transient emissions		Class B Suitable for use in residential areas and areas that are connected to a low voltage network that also supplies residential buildings.
	M	Verified scales in accordance with EU requirements comply with the requirements of Council Directive 2014/31/EC with EN 45501:2015 and OIML R76:2006.
		* For verified scales in accordance with EU requirements, refer to the information on the scale. ** For verified scales in accordance with EU requirements, the legal regulations apply.
Available application programs		Recalculation, factor calculation, formula
Power supply YEPS01-USB		
USB power plug		Type FSP007-P01P (manufacturer's designation)
Primary		100–240 V~, ±10%, 50–60 Hz, ±5%, ≤ 0.2 A
Secondary		5.2 V_{DC} ± 5%, 1.4 A (max.)
Further data		Protection class II IP40 in accordance with EN 60529/IEC 60529
Ex-link converter YC014-Y YC014-Z		
Further data		IP40 in accordance with EN 60529/IEC 60529

8.2 Model-specific Data

Model			
Specification	Unit	Value	Value
		PMA Evolution	PMA HD
		EVO1X	LAB1X
Weighing capacity	g	7500 / 999.95	2200
Readability	g	0.1 / 0.05	0.01 / 0.1
Tare range (subtractive)	g	-7500	-2200
External adjustment weight / accuracy class	kg	1, 2, 5 / F2 or better	1, 2 / F1 or better
Diameter of weighing pan	mm	233	180
Net weight	kg	2.4	2.3

8.3 Verified Models with EC Type Approval Certificate: Model-specific Technical Data

Specification	Unit	Value
Model		PMA Evolution, EVO1X..EU..
Accuracy class		II
Type		PMA-EV
Weighing capacity max.	g	7500
Scale interval d	g	0.1
Verification scale interval e	g	1
Temperature range		+10°C to +30°C
Tare equalization range (subtractive)		≤ 100% from max. weighing capacity

Specification	Unit	Value
Model		PMA HD, LAB1X..EU..
Accuracy class		III
Type		PMA-HD
Weighing capacity max.	g	2200
Scale interval d	g	1
Verification scale interval e	g	1
Temperature range		+10°C to +40°C
Tare equalization range (subtractive)		≤ 100% from max. weighing capacity

9 EU Declaration of Conformity

The attached Declaration of Conformity hereby confirms compliance of the device with the directives cited. The declaration of conformity supplied here is for verified balances for use in the EEA. Please keep it in a safe place.

Inhalt

1 Über dieses Dokument	13
1.1 Gültigkeit	13
1.2 Darstellungsmittel	13
2 Sicherheit	13
2.1 Bestimmungsgemäße Verwendung	13
2.2 Explosionsschutz	14
2.3 Personalqualifikation	14
2.4 Bedeutung dieser Anleitung	15
2.5 Einwandfreiheit des Geräts	15
2.6 Arbeiten an der elektrischen Ausrüstung des Geräts	15
2.7 Persönliche Schutzausrüstung	15
2.8 Sicherheitshinweise zur Bedienung des Gerätes ...	15
3 Installation	15
3.1 Lieferumfang	15
3.2 Auspacken	15
3.3 Aufstellort wählen	15
3.4 Waage montieren	16
3.5 Erdung anschließen	16
3.6 Spannungsversorgung herstellen	17
3.7 Diebstahlsicherung	18
3.8 Nivellieren	18
3.9 Anwärmzeit	18
4 Reinigung und Wartung	19
4.1 Reinigen	19
4.2 Warten	19
5 Entsorgung	19
5.1 Hinweise zur Dekontamination	19
6 Zubehör	20
7 Codierung der Seriennummer	20
8 Technische Daten	21
8.1 Allgemeine Daten	21
8.2 Modellspezifische Daten	22
8.3 Geeichte Modelle mit EG-Bauartzulassung: Modellspezifische technische Daten	22
9 EU-Konformitätserklärung	22

1 Über dieses Dokument

1.1 Gültigkeit

Diese Betriebsanleitung gilt für Farbmischwaagen der Modellreihen:

- EVO1X
- LAB1X

1.2 Darstellungsmittel

Der in der Anleitung verwendete Begriff Gerät bezeichnet immer die Kombination Waage, Netzgerät und Ex-Link Konverter.

1.2.1 Warnungen

WARNUNG

Kennzeichnet eine Gefährdung, die Tod oder schwere Körperverletzung zur Folge haben kann, wenn sie **nicht** vermieden wird.


VORSICHT

Kennzeichnet eine Gefährdung, die eine mittelschwere oder leichte Körperverletzung zur Folge haben kann, wenn sie **nicht** vermieden wird.

ACHTUNG

Kennzeichnet eine Gefährdung, die Sachschäden zur Folge haben kann, wenn sie **nicht** vermieden wird.

1.2.2 Weitere Darstellungsmittel

- ▶ Handlungsanweisung: Beschreibt Tätigkeiten, die ausgeführt werden müssen.
- ▷ Ergebnis: Beschreibt das Ergebnis der ausgeführten Tätigkeiten.
- [] Verweis auf Bedien- und Anzeigeelemente
-  Dieses Symbol gibt einen Hinweis für den eichpflichtigen Verkehr für konformitätsbewertete (geeichte) Waagen.
Im weiteren Text steht der Begriff ‚geeicht‘ für den Fachausdruck konformitätsbewertet.

Abbildungen der Bedienanzeige

Die Abbildungen in dieser Anleitung basieren auf „Standard“-Waagen. Bei den geeichten Waagen können einige Anzeigedarstellungen und Protokolle von den Abbildungen etwas abweichen. Wo dies für den Betrieb von Bedeutung ist, werden die Unterschiede im Text erläutert.

2 Sicherheit

2.1 Bestimmungsgemäße Verwendung

Diese Waage ist nur bestimmt für das Mischen von Farben und Lacken. Zur Aufnahme der Materialien müssen geeignete Gefäße verwendet werden.

Die Waage darf sowohl über das Display im Stand Alone Betrieb, als auch mit Hilfe einer auf dem PC installierten Applikationssoftware (z. B. eine Farbmischapplikation des Lackherstellers) gesteuert werden. Der PC wird dabei über ein USB Kabel mit dem Ex-Link Konverter verbunden. Die Angaben zum Explosionsschutz im Kapitel 2.2, Seite 14 sind zu beachten.

Die Anleitung ist Teil des Geräts. Das Gerät ist ausschließlich für den Einsatz gemäß dieser Anleitung bestimmt.

Jede weitere Verwendung gilt als **nicht** bestimmungsgemäß. Wenn das Gerät **nicht** bestimmungsgemäß eingesetzt wird: Die Schutzmaßnahmen des Geräts können beeinträchtigt werden. Dies kann zu unabhsehbaren Personenschäden oder Sachschäden führen.

Bei Verwendung in Anlagen und Umgebungsbedingungen mit erhöhten Sicherheitsanforderungen die Auflagen und Bestimmungen Ihres Landes beachten.

Einsatzbedingungen für das Gerät

Das Gerät nur in Gebäuden verwenden.

Das Gerät nur mit den Ausstattungen und unter Betriebsbedingungen einsetzen wie sie in den technischen Daten dieser Anleitung beschrieben sind.

Das Gerät **nicht** eigenmächtig umbauen oder technisch verändern. Umbaumaßnahmen und technische Änderungen am Gerät sind nur nach einer vorherigen schriftlichen Genehmigung durch Sartorius gestattet.

Das Gerät sowie das von Sartorius gelieferte Zubehör nicht extremen Temperaturen, aggressiven chemischen Dämpfen, Feuchtigkeit, Stößen, Vibrationen oder starken elektromagnetischen Feldern aussetzen. Einsatzbedingungen gemäß den Technischen Daten einhalten!

Die Verbindungskabel zwischen den Geräten sowie die Ummantelung der Litzen der inneren Verdrahtungen bestehen aus PVC-Materialien. Chemikalien, die diese Materialien angreifen, müssen von diesen Leitungen ferngehalten werden.

2.2 Explosionsschutz

Verwendung im Geltungsbereich der europäischen ATEX-Richtlinie:

- Bei dem Modell der Reihe EVO1X | LAB1X handelt es sich gemäß Richtlinie 2014/34/EU um ein Gerät der Kategorie 2, das für den Einsatz im explosionsgefährdeten Bereich der Zone 1 geeignet ist.
- Der Ex-Link Konverter YCO14-Z ist als zugehöriges elektrisches Betriebsmittel nur zur Installation außerhalb des explosionsgefährdeten Bereiches geeignet.
- Der Ex-Link Konverter YCO14-Y ist ein zugehöriges elektrisches Betriebsmittel, welches in Zone 2 verwendet werden darf.
- Die Kennzeichnungen der Geräte sind den EU-Type Examination Certificates (EU-Baumusterprüfbescheinigungen) ab Seite 53 zu entnehmen. Die Sicherheitshinweise gemäß der Zeichnung 2023040 ab Seite 53 sind zu befolgen.

Verwendung in Kanada und in den USA:

Die eigensicheren Waagen der Modellreihen EVO1X | LAB1X sind geeignet für den Einsatz in Class I, Division 1 sowie Class I, Zone 1. Der Ex-Link Konverter YCO14-Y darf in Class I, Division 2 und Class I, Zone 2 eingesetzt werden.

Die Certificates of Conformity FM16US0226X und FM16CA0124X sowie die Control Drawing 2021459 ab Seite 53 sind zu beachten.

Verwendung in Australien/Neuseeland:

Das IECEx Certificate of Conformity IECEx FME 14.0008X sowie die Safety Instructions 2023040 ab Seite 53 sind zu beachten.

2.3 Personalqualifikation

Diese Anleitung richtet sich an die unten genannten Zielgruppen. Alle Personen, die am Gerät arbeiten, müssen über die genannten Kenntnisse und Zuständigkeiten verfügen.

Wenn bei den beschriebenen Tätigkeiten in dieser Anleitung **keine** Qualifikation angegeben ist: Die beschriebenen Tätigkeiten richten sich an die Zielgruppe „Bediener“.

Wenn einzelne Tätigkeiten durch andere Zielgruppen oder den Sartorius Service ausgeführt werden müssen: Die benötigte Qualifikation ist bei der Beschreibung der Tätigkeit angegeben.

Zielgruppe Kenntnisse und Zuständigkeiten

Bediener	Der Bediener ist mit dem Betrieb des Geräts und den damit verbundenen Arbeitsprozessen vertraut. Er kennt die Gefahren, die bei Arbeiten mit dem Gerät auftreten können und kann diese Gefahren vermeiden. Der Bediener ist in den Betrieb des Geräts eingewiesen. Die Einweisung erfolgt im Rahmen der Inbetriebnahme und wird durch den Betriebsingenieur/Laborleiter oder den Betreiber des Geräts durchgeführt.
Betriebsingenieur/ Laborleiter	Der Betriebsingenieur/Laborleiter entscheidet über den Einsatz und die Parametrierung des Geräts. Der Betriebsingenieur/Laborleiter ist in den Betrieb des Geräts eingewiesen. Die Einweisung erfolgt im Rahmen der Inbetriebnahme und wird durch den Sartorius Service oder den Betreiber durchgeführt.
Elektrofachkraft	Die Elektrofachkraft kann aufgrund ihrer fachlichen Ausbildung, Kenntnisse und Erfahrungen sowie Kenntnis der einschlägigen Bestimmungen die ihr übertragenen Arbeiten beurteilen und mögliche Gefahren erkennen.
Betreiber	Der Betreiber des Geräts ist für die Einhaltung der Sicherheits- und Arbeitsschutzbestimmungen zuständig. Der Betreiber muss sicherstellen, dass alle Personen, die am Gerät arbeiten, Zugang zu den relevanten Informationen haben und in die Arbeit am Gerät eingewiesen sind.

2.4 Bedeutung dieser Anleitung

Die Nichtbeachtung der Anleitung kann ernste Folgen haben, z. B. Gefährdung von Personen durch elektrische, mechanische oder chemische Einflüsse.

- ▶ Vor allen Arbeiten am Gerät die Anleitung aufmerksam und vollständig durchlesen.
- ▶ Bei Verlust der Anleitung Ersatz anfordern oder die aktuelle Anleitung von der Sartorius-Internetseite herunterladen (www.sartorius.com).
- ▶ Die Informationen aus der Anleitung müssen für alle Personen verfügbar sein, die am Gerät arbeiten.

2.5 Einwandfreiheit des Geräts

Ein beschädigtes Gerät kann zu Fehlfunktionen führen oder schwer erkennbare Gefährdungen hervorrufen.

- ▶ Das Gerät nur in sicherheitstechnisch einwandfreiem Zustand betreiben.
- ▶ Beschädigtes Gerät sofort spannungslos schalten.
- ▶ Beschädigungen umgehend durch den Sartorius Service beheben lassen.

2.6 Arbeiten an der elektrischen Ausrüstung des Geräts

Jegliche Arbeiten und Modifikationen an der elektrischen Ausrüstung des Geräts dürfen nur vom Sartorius Service vorgenommen werden. Das Gerät darf nur vom Sartorius Service geöffnet werden.

M

Versiegelungsmarke an geeichten Varianten

Der Gesetzgeber fordert eine Versiegelung der geeichten Waage. Diese Versiegelung erfolgt mittels einer Klebmarke mit Namenszug »Sartorius«. Wird sie entfernt, erlischt die Eichgültigkeit und die Waage muss geeicht werden. Bei geeichten Waagen für den Einsatz im EWR gilt die bei der Eichung ausgestellte und der Waage beigelegte Konformitätserklärung. Bitte unbedingt aufbewahren.

2.7 Persönliche Schutzausrüstung

Die persönliche Schutzausrüstung schützt vor Gefährdungen durch die verarbeiteten Materialien.

- ▶ Wenn der Arbeitsbereich oder der Prozess, in dem das Gerät eingesetzt wird, eine persönliche Schutzausrüstung erfordert: Die persönliche Schutzausrüstung tragen.

2.8 Sicherheitshinweise zur Bedienung des Gerätes

- Die Glasscheibe des Bediendisplay nicht beschädigen (z. B. durch herabfallende Gegenstände, Schläge oder starken Druck). Wird die Glasscheibe beschädigt, ist das Gerät sofort vom Netz zu trennen!

- Die Oberfläche des Bediendisplay nicht mit spitzen, scharfen, harten oder rauen Gegenständen berühren, sondern ausschließlich mit einem dafür vorgesehenen Touchpen oder mit den Fingerspitzen. Zum Reinigen keinesfalls Teile der Kleidung (z. B. Jackenärmel) oder Schwämme verwenden, da diese die Oberfläche zerkratzen können (z. B. durch Nieten oder Knöpfe im Jackenärmel oder Sand in Schwämmen).
- Elektrostatische Aufladung der Glasscheibe des Bediendisplay und des Kunststoffgehäuses vermeiden.



Beschädigungsgefahr der Waage!

Verschließen Sie nie die Farbdose mit einem Hammer, solange diese auf der Waagschale steht.

Stellen Sie die Farbdose zum Verschließen auf einen festen stabilen Untergrund.

3 Installation

3.1 Lieferumfang

Modell	PMA.Evolution	PMA.HD
Waagschale groß: Ø 233 mm	x	–
Waagschale klein: Ø 180 mm	–	x
USB-Kabel	x	x
Ex-Link Konverter	x	x
Potentialausgleichskabel	x	x
Link-Kabel vom Konverter zur Waage	x	x
Installationsanleitung	x	x

3.2 Auspacken

Vorgehen

- ▶ Öffnen Sie die Verpackung und entnehmen Sie vorsichtig alle Teile.
- ▶ Überprüfen Sie das Gerät nach dem Auspacken sofort auf äußere Beschädigungen.
- ▶ Wenn das Gerät zwischengelagert wird: Das Gerät gemäß den Umgebungsbedingungen lagern (Umgebungsbedingungen siehe Kapitel „8.1 Allgemeine Daten“, Seite 21)
- ▶ Bewahren Sie alle Teile der Originalverpackung für einen eventuellen Rücktransport auf. Lassen Sie beim Versand keine Kabel stecken!

3.3 Aufstellort wählen

Den richtigen Standort wählen:

- Das Gerät auf eine stabile, erschütterungsarme, gerade Fläche stellen.
- Zugang zu dem Gerät jederzeit freihalten.

- Die Geräte gemäß dem IP-Schutz sorgfältig behandeln. Die Umgebung muss entsprechend gesichert sein.
- Bei Verwendung in Anlagen und Umgebungsbedingungen mit erhöhten Sicherheitsanforderungen die Auflagen und Bestimmungen Ihres Landes beachten.

Bei der Aufstellung Standorte mit ungünstigen Einflüssen vermeiden:

- Hitze (Heizung, Sonneneinstrahlung)
- Direkter Luftzug durch offene Fenster, Klimaanlage und Türen
- Erschütterungen während der Messung
- Personendurchgangsverkehr
- Extrem hohe Luftfeuchtigkeit
- Elektromagnetische Felder
- Extrem trockene Luft

Akklimatisieren

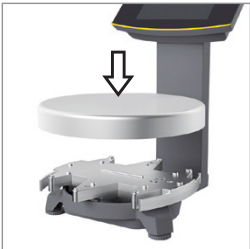
Wenn ein kaltes Gerät in eine warme Umgebung gebracht wird kann dies zu Kondensation von Luftfeuchtigkeit führen (Betauung). Daher akklimatisieren Sie das vom Netz getrennte Gerät ca. 2 Stunden, bevor Sie es wieder an die Versorgungsspannung anschließen.

3.4 Waage montieren

ACHTUNG

Für alle Montagearbeiten muss das Gerät von der Spannungsversorgung getrennt sein.

3.4.1 Waagschale aufsetzen



- ▶ Setzen Sie die Waagschale von oben auf die Waage auf.

3.4.2 Waage anschließen



- ▶ Stecken Sie den Stecker des Link-Kabels auf der Rückseite des Displays in die RJ-45-Buchse.



- ▶ Verlegen Sie das Link-Kabel (blau) durch die Kabelhalter auf der Rückseite der Waage.



- ▶ Schließen Sie das Link-Kabel am Ex-Link Konverter an.

3.5 Erdung anschließen

Benötigte Qualifikation: Elektrofachkraft

Die explosionsgeschützte Anlage nach den anerkannten Regeln der Technik errichten. Dabei sind die entsprechenden nationalen Gesetze/Vorschriften zu beachten.

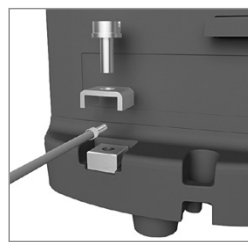
Vor Inbetriebnahme der Waage muss der ordnungsgemäße Zustand durch eine Elektrofachkraft oder unter Leitung und Aufsicht einer Elektrofachkraft überprüft werden.

Prüfen Sie, ob die zuständigen Behörden (z. B. Gewerbeaufsichtsamt) informiert werden müssen. Auch während des Betriebes sind Prüfungen der Anlage erforderlich. Die Fristen dazu sind so zu bemessen, dass entstehende Mängel, mit denen gerechnet werden muss, rechtzeitig erkannt werden. Die Prüfungen sind mindestens alle drei Jahre durchzuführen. Während des Betriebes sind die entsprechenden Auflagen und Richtlinien zu erfüllen.

Die Anlage erstmalig nur dann in Betrieb nehmen, wenn sichergestellt ist, dass der Bereich nicht explosionsgefährdet ist.

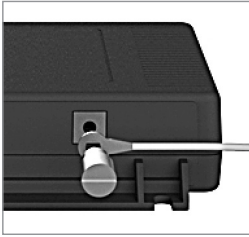
Zeigen sich bei dieser Inbetriebnahme durch Transportschäden Abweichungen (z. B. keine Anzeige, keine Hintergrundbeleuchtung), so ist die Waage vom Netz zu trennen und der Sartorius Service zu informieren.

Die Installation muss von einer dafür ausgebildeten Elektrofachkraft vorschriftsmäßig und nach den Regeln der Technik durchgeführt werden.



Verbinden Sie die Waage mit einem Potenzialausgleichskabel von mindestens 4 mm² Querschnitt mit dem Potenzialausgleich.

- ▶ Schließen Sie den Kabelschuh des Potenzialausgleichskabels an die Erdungsklemme der Waage an.
- ▶ Schließen Sie das Potenzialausgleichskabel an den kundenseitigen Potenzialausgleich an.



Verbinden Sie den Ex-Link Konverter mit einem weiteren Potenzialausgleichskabel von mindestens 4 mm² Querschnitt mit dem Potenzialausgleich.

- ▶ Schließen Sie den Kabelschuh des Potenzialausgleichskabels an die Erdungsklemme des Ex-Link Konverters an.
- ▶ Schließen Sie das Potenzialausgleichskabel an den kundenseitigen Potenzialausgleich an.

3.6 Spannungsversorgung herstellen

Benötigte Qualifikation: Elektrofachkraft

Die Spannungsversorgung der Waage erfolgt über einen PC/Notebook oder durch das optionale Netzgerät YEPS01-USB (siehe Kapitel „6 Zubehör“, Seite 20), das mit verschiedenen länderspezifischen Netzadaptern geliefert wird.

ACHTUNG

- Der auf dem Netzgerät aufgedruckte Spannungswert muss mit der lokalen Netzspannung übereinstimmen (Anschlussdaten siehe Kapitel „8.1 Allgemeine Daten“, Seite 21).
- Sollte die angegebene Netzspannung oder die Steckerausführung des Netzgerätes nicht der verwendeten Ländernorm entsprechen, verständigen Sie bitte die nächste Sartorius-Vertretung.

Die Spannungsversorgung über das Netzgerät wird nur benötigt:

- wenn kein PC oder Notebook vorhanden ist.
- in Ausnahmefällen die Ausgangsspannung der USB-Schnittstelle des PCs oder Notebooks nicht ausreichend ist.

Der Zusammenbau des Netzgerätes ist im Folgenden beschrieben.

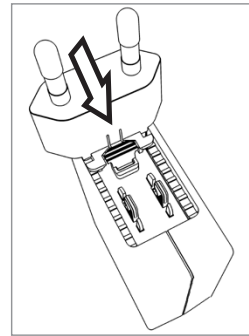
3.6.1 Netzgerät montieren

- ▶ **⚠ WARNUNG** Tödliche Stromschläge und Geräteschäden durch falsche Netzsteckeradapter! Nur den länderspezifischen Netzsteckeradapter verwenden. Den Netzsteckeradapter nie getrennt vom Netzgerät in die Steckdose stecken.
- ▶ Wählen Sie den zu Ihrem Stromnetz passenden Netzadapter aus. Der Netzadapter muss für die Steckdose am Aufstellort geeignet sein.

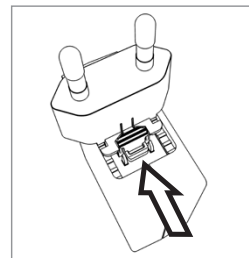
Netz-Adaptersets

Beutel	Region / Land
YEPS01-PS1	– USA und Japan (US+JP) – Europa (EU) – Großbritannien (GB)

Beutel	Region / Land
YEPS01-PS6	– Argentinien (AR) – Brasilien (BR) – Australien (AU) – Südafrika (ZA)
YEPS01-PS7	– China (CN) – Indien (IN) – Korea (KR)

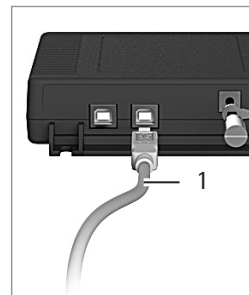


- ▶ Den Netzsteckeradapter in die Aufnahme des Netzgeräts schieben. Die geriffelte Taste muss nach von zeigen.
- ▶ Den Netzsteckeradapter bis zum Anschlag schieben, bis er hörbar einrastet.
- ▶ Prüfen, ob der Netzsteckeradapter fest verriegelt ist. Dazu den Netzsteckeradapter leicht zurückziehen.
- ▶ Wenn sich der Netzsteckeradapter nicht verschieben lässt: Der Netzsteckeradapter ist verriegelt.



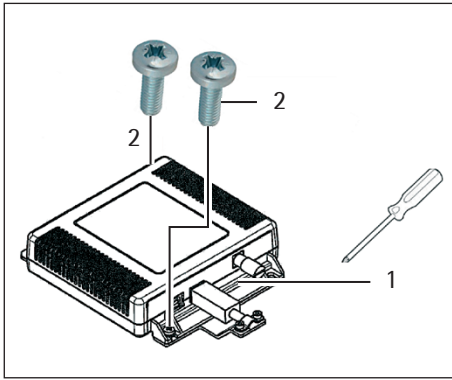
Netzadapter demontieren / tauschen

- ▶ Von oben auf die geriffelte Taste drücken und dabei den Netzadapter nach hinten schieben.
- ▶ Den Netzadapter aus dem Netzgerät herauschieben und entnehmen.

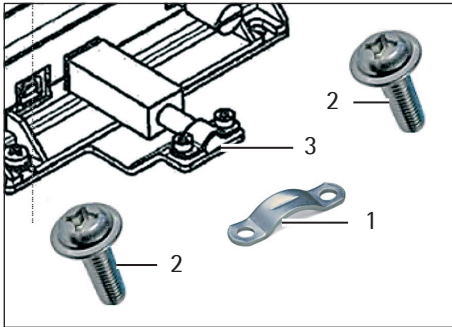


Anschluss an Personalcomputer/ Notebook

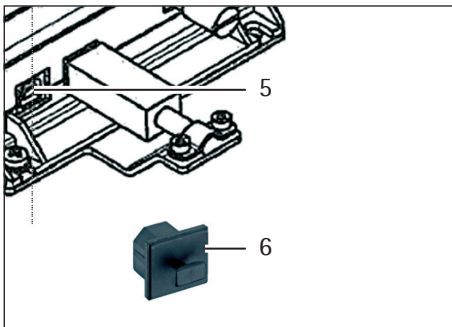
- ▶ Stecken Sie ein USB-Kabel (1) in die rechte Buchse des Ex-Link Konverters und verbinden Sie das Kabel mit einem Personalcomputer oder Notebook. Bei Verwendung und Installation des Ex-Link-Konverters YC014-Y im explosionsgefährdeten Bereich der Zone 2 oder Division 2 und beinhaltet das USB-Kabel (1) keine eigensicheren Stromkreise, so muss das Kabel gegen Herausziehen gesichert werden. Siehe Control Drawing 2021459 und Safety Instructions 2023040 ab Seite 53 sowie folgende Abbildungen.



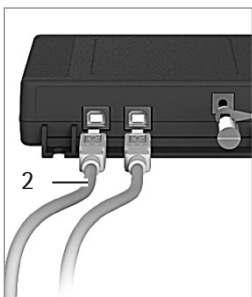
- Befestigen Sie die Zugentlastung YSR01 mit den beiden Schrauben (2) am Konverter (1).



- Fixieren Sie das USB-Kabel mit der Klemmschelle (3) und den beiden Schrauben (4) an der Zugentlastung (1).



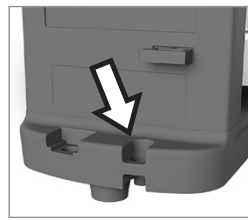
- Verschließen Sie den linken USB-Anschluss (5) mit der Schutzkappe (6).



Anschluss an Netzgerät (optional); nicht beim YC014-Y, wenn dieser im explosionsgefährdeten Bereich der Zone 2 oder Division 2 installiert ist

- Stecken Sie ein weiteres USB Kabel (2) in den Ex-Link Konverter.
- Stecken Sie das USB Kabel in das Netzgerät YEPS01-USB.
- Stecken Sie das Netzgerät in eine Steckdose (Netzspannung).

3.7 Diebstahlsicherung



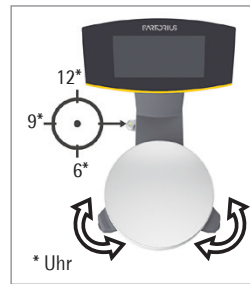
- Sichern Sie die Waage bei Bedarf an der Rückseite.

3.8 Nivellieren

Nivellieren bei Modell PMA.HD und bei geeichten Modellen

Mit der Nivellierung der Waage können Neigungen am Aufstellort der Waage ausgeglichen werden. Eine exakte waagerechte Stellung der Waage gewährleistet genaue Wägeregebnisse.

Die Waage muss nach jedem Standortwechsel neu nivelliert und danach gegebenenfalls justiert werden.



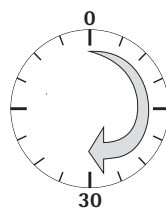
- Drehen Sie die beiden Fußschrauben gemäß Abbildung, bis die Luftblase der Libelle in der Kreismitte steht.
- Luftblase bei »12 Uhr«: beide Fußschrauben im Uhrzeigersinn drehen.
- Luftblase bei »3 Uhr«: linke Fußschraube im Uhrzeigersinn, rechte Fußschraube gegen den Uhrzeigersinn drehen.
- Luftblase bei »6 Uhr«: beide Fußschrauben gegen den Uhrzeigersinn drehen.
- Luftblase bei »9 Uhr«: linke Fußschraube gegen den Uhrzeigersinn, rechte Fußschraube im Uhrzeigersinn drehen.

3.9 Anwärmezeit

M

Geeichte Waagen im eichpflichtigen Verkehr einsetzen:

Anwärmezeit von mindestens 24 Stunden einhalten nach erstmaligem Anschluss an das Stromnetz.



Um genaue Resultate zu liefern, benötigt die Waage eine Anwärmezeit von mindestens 30 Minuten nach erstmaligem Anschluss an die Spannungsversorgung. Erst dann hat das Gerät die notwendige Betriebstemperatur erreicht.

4 Reinigung und Wartung

4.1 Reinigen

Vor Reinigen des Netzgerätes, des Ex-Link Konverters oder der Waage: Alle Geräte spannungslos schalten.

⚠️ WARNUNG Gefahr durch elektrische Spannung!

Vorhandenes Netzgerät (optional) vom Netz trennen. Gegebenenfalls angeschlossenes Datenkabel am Ex-Link Konverter abziehen. Öffnen Sie niemals die Waage oder das Netzgerät. Diese enthalten keine Geräteteile, die vom Bediener gereinigt, repariert oder ausgetauscht werden können.

ACHTUNG

Folgende Teile nicht mit Aceton oder aggressiven Reinigungsmitteln reinigen:

- Netzsteckereingang
- Datenschnittstelle
- Schilder sowie alle restlichen Kunststoffteile

Vorgehen

- ▶ Das Gerät von der Spannungsversorgung trennen.
- ▶ **ACHTUNG** Darauf achten, dass keine Flüssigkeit oder Staub in die Waage oder in das Netzgerät gelangen.
- ▶ **ACHTUNG** Korrosion oder Beschädigungen am Gerät durch ungeeignete Reinigungsmittel!
 - ▶ **Keine** ätzenden, chloridhaltigen und aggressiven Reinigungsmittel verwenden.
 - ▶ **Keine** Reinigungsmittel verwenden, die scheuernde Bestandteile enthalten, z. B. Scheuermilch, Stahlwolle.
 - ▶ Zur Reinigung nur weiche Bürsten und Putzlappen verwenden.
 - ▶ **Keine** lösemittelhaltigen Reinigungsmittel verwenden.

Bedienfeld reinigen

- ▶ Vor dem Reinigen des Bedienfeldes: Das Gerät ausschalten, da durch die Berührung sonst ungewollt Eingaben erfolgen können.

Gerätegehäuse reinigen

- ▶ Das Gehäuse mit einem leicht feuchten Reinigungstuch abwischen. Für stärkere Verschmutzungen eine milde Seifenlauge verwenden.
- ▶ Das Gerät danach mit einem weichem Tuch abwischen.

4.2 Warten

Um die fortdauernde Messsicherheit Ihrer Waage zu gewährleisten, empfehlen wir die regelmäßige, mindestens jährliche Wartung. Der Sartorius Service bietet Ihnen hierzu unterschiedliche Wartungsverträge an, die wir individuell an Ihre Bedürfnisse anpassen.

Im Rahmen jeder Wartung sollte immer ein Kalibrierzertifikat erstellt werden. Lassen Sie eine sicherheitstechnische Überprüfung des Netzgerätes und dessen Anschlüsse in angemessenen Abständen von einer Elektrofachkraft durchführen (z. B. alle 2 Jahre).

5 Entsorgung

5.1 Hinweise zur Dekontamination

Gemäß EU-Richtlinien zur Europäischen Gefahrstoffverordnung ist der Eigentümer von Geräten, die mit Gefahrstoffen in Berührung gekommen sind, für die sachgerechte Entsorgung und Deklaration bei deren Transport verantwortlich.

⚠️ WARNUNG

Verletzungsgefahr durch kontaminierte Geräte!

Mit gefährlichen Stoffen kontaminierte Geräte (ABC-Kontamination) werden nicht zur Reparatur und Entsorgung zurückgenommen.

5.1.1 Hinweise zur Entsorgung

Das Gerät und das Zubehör gehören **nicht** in den Hausmüll, denn sie sind aus hochwertigen Materialien hergestellt, die recycelt und wiederverwendet werden können. Alle Teile müssen durch Entsorgungseinrichtungen fachgerecht entsorgt werden.

Die Verpackung besteht aus umweltfreundlichen Materialien, die als Sekundärrohstoffe dienen können.

5.1.2 Entsorgen

Voraussetzungen

Das Gerät ist dekontaminiert.

Vorgehen

- ▶ Das Gerät entsorgen. Dazu die Entsorgungshinweise auf unserer Internetseite (www.sartorius.com) beachten.
- ▶ Die Verpackung gemäß den landesrechtlichen Bestimmungen entsorgen.

6 Zubehör

Zubehör	Bestellnummer
Netzgerät (5,2 V / 1,4 A)	YEPS01-USB
USB-Kabel, 5 m	YCC01-0040M5
Netzadapterset für YEPS01-USB	YEPS01-PS1
– USA und Japan (US+JP)	
– Europa (EU)	
– Großbritannien (GB)	
Netzadapterset für YEPS01-USB	YEPS01-PS6
– Argentinien (AR)	
– Brasilien (BR)	
– Australien (AU)	
– Südafrika (ZA)	
Netzadapterset für YEPS01-USB	YEPS01-PS7
– China (CN)	
– Indien (IN)	
– Korea (KR)	
Ex-Link Konverter	YC014-Y
Ex-Link Konverter	YC014-Z
Link-Kabel	
– vom Konverter zur Waage, 10 m	YCC01-0052M10
– vom Konverter zur Waage, 20 m	YCC01-0052M20
– vom Konverter zur Waage, 30 m	YCC01-0052M30
Zugentlastung	YSR01
Potenzialausgleichskabel, 2 m	YCC01-X046M2
Arbeitsschutzhaube	
– für Bedienfeld, 10er Pack	YDC03PMA10
– für Stativ, PMA.Evolution, 10er Pack	YDC03PMA-C010
– für Waagschale, PMA.Evolution, 10er Pack	YDC03P-MA-WP10
Justiergewichte	
– für PMA.Evolution:	
– 5 kg, Genauigkeitsklasse F2	YCW654-AC-00
– 2 kg, Genauigkeitsklasse F2	YCW624-AC-00
– 1 kg, Genauigkeitsklasse F2	YCW614-AC-00
– für PMA.HD:	
– 2 kg, Genauigkeitsklasse F1	YCW623-AC-00
– 1 kg, Genauigkeitsklasse F1	YCW613-AC-00

7 Codierung der Seriennummer



Das Herstellungsdatum des Gerätes ist in der Seriennummer codiert. Die Struktur ergibt sich wie folgt:

JMM x x x x x
 J Jahr
 3 2014–2020
 4 2021–2027
 5 2028–2034 usw.

Die Jahresspalte J steht für die Jahresgruppennummer, die einen Zeitraum von jeweils 7 Jahren definiert. Innerhalb jeder Jahresgruppe werden die Monate (M M) von 13 an hochgezählt.

Jahr: 2018 2019 2020 2021 2022 ...
 MM: 61-72 73-84 85-96 13-24 25-36 ...

Beispiel:
 388xxxxx (April 2020). „xxxxx“ ist eine fortlaufende Nummer. Jeden Monat wird bei 1 begonnen und fortlaufend hochgezählt.

8 Technische Daten

8.1 Allgemeine Daten

Angabe	Einheit	Wert
Waage		
Spannungsversorgung		nur über USB Schnittstelle oder Sartorius Netzgerät YEPS01-USB
Eingangsspannung	V_{DC}	+4,5 bis 5,0
Leistungsaufnahme	W	2,0 (typisch)
Weitere Daten		IP40 gemäß EN 60529/IEC 60529
Umgebungsbedingungen		
Die technischen Daten gelten bei folgenden Umgebungsbedingungen:		
Umgebung		Verwendung nur in Innenräumen
Umgebungstemperatur*	°C	0 bis +40
Betriebsfähigkeit	°C	Gewährleistet zwischen +15 bis +30
Lager und Transport	°C	-10 bis +60
Relative Luftfeuchte	%	bis zu 80% für Temperaturen bis zu 30°C nicht-kondensierend, linear abnehmend bis zu 50% relativer Luftfeuchte bei 40°C
Schnittstellenanschluss Ex-Link Konverter		USB, Typ B
Elektromagnetische Verträglichkeit		gemäß EN 61326-1/IEC61326-1 Elektrische Mess-, Steuer-, Regel- und Laborgeräte – EMV-Anforderungen – Teil 1: Allgemeine Anforderungen
Störfestigkeit		Grundanforderungen
Störaussendung		Klasse B Geeignet für den Gebrauch im Wohnbereich und Bereichen, die direkt an ein Niederspannungsnetz angeschlossen sind, das (auch) Wohngebäude versorgt.
	M	Geeichte Waagen gemäß EU entsprechen den Anforderungen der EG-Richtlinie 2014/31/EU mit EN45501:2015 bzw. OIML R76:2006.
		* Bei geeichten Waagen gemäß EU, siehe Angaben auf der Waage. ** Bei geeichten Waagen gemäß EU gelten die gesetzlichen Vorschriften.
Wählbare Anwendungsprogramme		Rekalkulation, Faktorverrechnung, Rezeptur
Netzgerät YEPS01-USB		
USB Steckernetzteil		Type FSP007-P01P (Herstellerbezeichnung)
Primär		100 – 240 V~, ±10 %, 50 – 60 Hz, ±5 %, ≤ 0,2 A
Sekundär		5,2 V_{DC} ± 5 %, 1,4 A (max.)
Weitere Daten		Schutzklasse II IP40 gemäß EN 60529/IEC 60529
Ex-Link Konverter YC014-Y YC014-Z		
Weitere Daten		IP40 gemäß EN 60529/IEC 60529

8.2 Modellspezifische Daten

Modell

Angabe	Einheit	Wert	Wert
		PMA Evolution	PMA HD
		EVO1X	LAB1X
Wägebereich	g	7500 / 999,95	2200
Ablesbarkeit	g	0,1 / 0,05	0,01 / 0,1
Tarierbereich (subtraktiv)	g	-7500	-2200
Externer Justiergewichtswert / Genauigkeitsklasse	kg	1, 2, 5 / F2 oder besser	1, 2 / F1 oder besser
Durchmesser der Waagschale	mm	233	180
Nettogewicht	kg	2,4	2,3

8.3 Geeichte Modelle mit EG-Bauartzulassung: Modellspezifische technische Daten

Angabe	Einheit	Wert
Modell		PMA Evolution, EVO1X..EU..
Genauigkeitsklasse		II
Bauart		PMA-EV
Wägebereich Max	g	7500
Zifferschritt d	g	0,1
Eichwert e	g	1
Temperaturbereich		+10°C – +30°C
Taraausgleichsbereich (subtraktiv)		≤ 100% vom maximalen Wägebereich

Angabe	Einheit	Wert
Modell		PMA HD, LAB1X..EU..
Genauigkeitsklasse		III
Bauart		PMA-HD
Wägebereich Max	g	2200
Zifferschritt d	g	1
Eichwert e	g	1
Temperaturbereich		+10°C – +40°C
Taraausgleichsbereich (subtraktiv)		≤ 100% vom maximalen Wägebereich

9 EU-Konformitätserklärung

Mit der beigefügten Konformitätserklärung wird die Übereinstimmung des Geräts mit den benannten Richtlinien erklärt. Bei geeichten Waagen für den Einsatz im EWR gilt die bei der Konformitätbewertung (Eichung) ausgestellte Konformitätserklärung. Bitte unbedingt aufbewahren.

Table des matières

1 À propos de ce manuel	23
1.1 Validité	23
1.2 Explication des symboles	23
2 Sécurité	23
2.1 Utilisation conforme	23
2.2 Protection contre les explosions	24
2.3 Qualification du personnel	24
2.4 Importance de ce mode d'emploi	25
2.5 Appareil en parfait état	25
2.6 Travaux sur l'équipement électrique de l'appareil ..	25
2.7 Équipement de protection individuelle	25
2.8 Consignes de sécurité concernant l'utilisation de l'appareil	25
3 Installation	25
3.1 Contenu de la livraison	25
3.2 Déballage	25
3.3 Choix du lieu d'installation	26
3.4 Montage de la balance	26
3.5 Raccordement de la mise à la terre	26
3.6 Alimentation en courant	27
3.7 Système antiviol	28
3.8 Mise à niveau	28
3.9 Temps de préchauffage	28
4 Nettoyage et maintenance	29
4.1 Nettoyage	29
4.2 Maintenance	29
5 Recyclage	29
5.1 Instructions de décontamination	29
6 Accessoires	30
7 Codification du numéro de série	30
8 Caractéristiques techniques	31
8.1 Caractéristiques générales	31
8.2 Caractéristiques techniques spécifiques des différents modèles	32
8.3 Modèles approuvés pour l'utilisation en métrologie légale avec approbation CE de type : caractéristiques techniques spécifiques des différents modèles	32
9 Déclaration de conformité UE	32

1 À propos de ce manuel

1.1 Validité

Ce mode d'emploi s'applique aux gammes de balances pour peintures :

- EVO1X
- LAB1X

1.2 Explication des symboles

Le concept d'appareil utilisé dans le manuel désigne toujours la combinaison de la balance, du bloc d'alimentation et du convertisseur de jonction antidéflagrant.

1.2.1 Avertissements

AVERTISSEMENT

Signale un danger qui est susceptible d'entraîner la mort ou des blessures graves s'il n'est **pas** évité.

ATTENTION

Signale un danger qui est susceptible d'entraîner des blessures moyennes ou légères s'il n'est **pas** évité.

AVIS


Signale un danger qui est susceptible de provoquer des dommages matériels s'il n'est **pas** évité.

1.2.2 Autres symboles

▶ Instruction : décrit des actions qui doivent être effectuées.

▷ Résultat : décrit le résultat des actions qui viennent d'être effectuées.

[] Référence à des éléments de commande et d'affichage

 Ce symbole donne une indication relative à l'utilisation en métrologie légale de balances évaluées conformes (approuvées pour l'utilisation en métrologie légale). Par la mention « approuvé pour l'utilisation en métrologie légale », le texte fait référence à l'évaluation de la conformité.

Informations affichées sur l'écran de commande

Les illustrations présentes dans cette notice se basent sur les balances « standard ». Si vous utilisez une balance approuvée pour l'usage en métrologie légale, il se peut que certains affichages à l'écran et certains rapports diffèrent légèrement des illustrations représentées. Ces différences sont expliquées si cela s'avère nécessaire pour le fonctionnement.

2 Sécurité

2.1 Utilisation conforme

Cette balance doit uniquement être utilisée pour mélanger des peintures et des vernis. Utilisez des récipients adaptés pouvant contenir les matières.

La balance peut être commandée par l'intermédiaire de l'écran en fonctionnement autonome ou à l'aide d'un logiciel d'application installé sur un ordinateur (par ex. une application de mélange de peinture du fabricant de peinture). Pour ce faire, le PC est connecté au convertisseur de jonction antidéflagrant à l'aide d'un câble USB. Les spécifications relatives à la protection contre les explosions du chapitre 2.2, page 24 doivent être respectées.

Le manuel fait partie intégrante de l'appareil. L'appareil est exclusivement destiné à être utilisé en conformité avec ce manuel.

Toute autre utilisation est considérée comme **non** conforme. Si l'appareil n'est **pas** utilisé de manière conforme : les systèmes de protection de l'appareil peuvent être endommagés. Cela peut entraîner des dommages corporels ou matériels imprévisibles.

Dans des installations et des conditions ambiantes exigeant des mesures de sécurité accrues, vous devez respecter les instructions et les dispositions en vigueur dans votre pays.

Conditions d'utilisation de l'appareil

Utilisez l'appareil uniquement dans des bâtiments.

Utilisez l'appareil uniquement avec l'équipement et dans les conditions de fonctionnement qui sont spécifiés dans les caractéristiques techniques de ce manuel.

Ne transformez **pas** l'appareil ni n'apportez de modifications techniques de manière arbitraire. Les transformations et modifications techniques apportées à l'appareil nécessitent une autorisation écrite préalable de Sartorius.

N'exposez pas l'appareil ainsi que les accessoires fournis par Sartorius à des températures extrêmes, des vapeurs chimiques agressives, de l'humidité, des chocs, des vibrations ou de forts champs électromagnétiques. Respectez les conditions d'utilisation conformément aux caractéristiques techniques ! Les câbles de raccordement entre les appareils ainsi que les gaines des cordons de câblage internes sont en PVC. Les produits chimiques pouvant endommager ces matériaux doivent être tenus à l'écart de ces câbles.

2.2 Protection contre les explosions

Utilisation dans le cadre du champ d'application de la directive européenne ATEX :

- Le modèle de la gamme EVO1X | LAB1X est un appareil de catégorie 2 adapté à une utilisation dans les atmosphères explosives de la zone 1, conformément à la directive 2014/34/UE.
- En tant que matériel électrique associé, le convertisseur de jonction antidéflagrant YCO14-Z doit uniquement être installé hors de l'atmosphère explosive.
- Le convertisseur de jonction antidéflagrant YCO14-Y constitue du matériel électrique associé pouvant être utilisé en zone 2.
- Les identifications des appareils sont détaillées dans les EU-Type Examination Certificates (attestations d'examen UE de type) à partir de la page 53. Respectez les consignes de sécurité prévues dans le schéma 2023040 à partir de la page 53.

Utilisation au Canada et aux États-Unis :

Les balances à sécurité intrinsèque des gammes EVO1X | LAB1X sont adaptées à une utilisation en classe I, division 1 et en classe I, zone 1. Le convertisseur de jonction antidéflagrant YCO14-Y peut être utilisé en classe I, division 2 et en classe I, zone 2.

Respectez les certificats de conformité FM16US0226X et FM16CA0124X, ainsi que le dessin de contrôle 2021459 à partir de la page 53.

Utilisation en Australie/Nouvelle-Zélande :

Respectez le certificat de conformité IECEx avec la référence IECEx FME 14.0008X, ainsi que les instructions de sécurité 2023040 à partir de la page 53.

2.3 Qualification du personnel

Ce mode d'emploi s'adresse aux groupes cibles mentionnés ci-dessous. Toutes les personnes qui travaillent sur l'appareil doivent disposer des connaissances et compétences mentionnées.

Si **aucune** qualification n'est indiquée pour les opérations décrites dans ce manuel : les opérations décrites s'adressent au groupe cible « Opérateur ».

Si certaines opérations doivent être effectuées par d'autres groupes cibles ou par le Sartorius Service : la qualification nécessaire est indiquée dans la description de l'opération.

Groupe cible Connaissances et compétences

Opérateur	L'opérateur connaît le fonctionnement de l'appareil et les processus de travail qui y sont associés. Il connaît les dangers potentiels lors du travail avec l'appareil et il est en mesure de les éviter. L'opérateur a reçu une formation pour savoir faire fonctionner l'appareil. Cette formation a lieu dans le cadre de la mise en service et est dispensée par l'ingénieur d'exploitation/le responsable du laboratoire ou par l'exploitant de l'appareil.
Ingénieur d'exploitation/Responsable du laboratoire	L'ingénieur d'exploitation/Le responsable du laboratoire prend les décisions concernant l'utilisation et le paramétrage de l'appareil. L'ingénieur d'exploitation/Le responsable du laboratoire a reçu une formation pour savoir faire fonctionner l'appareil. Cette formation a lieu dans le cadre de la mise en service et est dispensée par le Sartorius Service ou par l'exploitant de l'appareil.
Électricien qualifié	L'électricien qualifié peut évaluer les travaux qui lui sont attribués et identifier les éventuels dangers grâce à sa formation spécialisée, ses connaissances et son expérience ainsi que ses connaissances des réglementations en vigueur.
Exploitant	Il incombe à l'exploitant de l'appareil de faire respecter les règles de protection et de sécurité au travail. L'exploitant doit s'assurer que toutes les personnes qui travaillent sur l'appareil ont accès aux informations importantes et ont reçu une formation sur la manière d'utiliser l'appareil.

2.4 Importance de ce mode d'emploi

Le non-respect des instructions contenues dans ce mode d'emploi peut avoir des conséquences graves, par ex. la mise en danger des personnes par des influences électriques, mécaniques ou chimiques.

- ▶ Avant toute intervention sur l'appareil, lisez le manuel avec attention et dans son intégralité.
- ▶ Si vous perdez ce manuel, demandez-en un autre exemplaire ou téléchargez le manuel actuel sur le site Internet de Sartorius (www.sartorius.com).
- ▶ Toutes les personnes qui travaillent sur l'appareil doivent avoir accès aux informations contenues dans le mode d'emploi.

2.5 Appareil en parfait état

Un appareil endommagé peut entraîner des dysfonctionnements ou des risques difficilement détectables.

- ▶ Utilisez l'appareil uniquement s'il est dans un état technique irréprochable.
- ▶ Si l'appareil est endommagé, mettez-le immédiatement hors tension.
- ▶ En cas de dommages, demandez immédiatement au Sartorius Service d'y remédier.

2.6 Travaux sur l'équipement électrique de l'appareil

Seuls des techniciens du Sartorius Service sont autorisés à effectuer des opérations et des modifications sur l'équipement électrique de l'appareil. Seuls les membres du Sartorius Service sont autorisés à ouvrir l'appareil.

M

Sceau adhésif sur les modèles approuvés pour l'utilisation en métrologie légale

La législation exige que les balances approuvées pour l'utilisation en métrologie légale portent un sceau. Ce sceau est constitué d'une marque adhésive portant l'inscription « Sartorius ».

Si on l'enlève, l'autorisation pour l'utilisation en métrologie légale n'est plus valide et la balance doit faire l'objet d'une nouvelle vérification.

Pour les balances approuvées pour l'utilisation en métrologie légale au sein de l'EEE, la déclaration de conformité jointe à la balance et délivrée lors du calibrage s'applique. Il est obligatoire de la conserver.

2.7 Équipement de protection individuelle

L'équipement de protection individuelle protège contre les risques qui émanent des matières traitées.

- ▶ Si la zone de travail ou le processus dans lequel l'appareil est intégré nécessite un équipement de protection individuelle : portez l'équipement de protection individuelle.

2.8 Consignes de sécurité concernant l'utilisation de l'appareil

- Veillez à ce que la vitre en verre de l'écran de commande ne soit pas endommagée (par ex. par la chute d'objets, des coups ou une forte pression). Si la vitre en verre est endommagée, débranchez immédiatement l'appareil du secteur !
- Ne touchez pas la surface de l'écran de commande avec des objets pointus, coupants, durs ou rugueux, mais exclusivement avec le stylet prévu à cet effet ou du bout des doigts. Pour nettoyer l'écran, n'utilisez en aucun cas des parties de vos vêtements (par ex. vos manches) ou des éponges, car cela pourrait rayer la surface (par ex. à cause d'œilletons ou de boutons sur vos manches ou de sable dans les éponges).
- Évitez que la vitre en verre de l'écran de commande et le boîtier en plastique ne soient chargés électrostatiquement.



Risque de dommages sur la balance !

Ne fermez jamais les bidons de peinture avec un marteau s'ils sont encore posés sur le plateau de pesée.

Avant de fermer les bidons de peinture, posez-les sur une surface stable et solide.

3 Installation

3.1 Contenu de la livraison

Modèle	PMA.Evolution	PMA.HD
Grand plateau de pesée : Ø 233 mm	x	–
Petit plateau de pesée : Ø 180 mm	–	x
Câble USB	x	x
Convertisseur de jonction antidéflagrant	x	x
Câble d'équipotentialité	x	x
Câble de jonction entre le convertisseur et la balance	x	x
Manuel d'installation	x	x

3.2 Déballage

Procédure

- ▶ Ouvrez l'emballage et retirez toutes les pièces avec précaution.
- ▶ Aussitôt après avoir déballé l'appareil, vérifiez s'il ne présente aucune détérioration externe visible.
- ▶ Si vous entreposez l'appareil temporairement : conservez l'appareil conformément aux conditions ambiantes (conditions ambiantes, voir le chapitre « 8.1 Caractéristiques générales », page 31).
- ▶ Conservez tous les éléments de l'emballage pour les retours éventuels. Débranchez tous les câbles avant de réexpédier l'appareil !

3.3 Choix du lieu d'installation

Choisissez un lieu d'installation adapté :

- Posez l'appareil sur une surface plane, stable et sans vibrations.
- L'accès à l'appareil doit être libre en permanence.
- Manipulez les appareils avec soin conformément à l'indice de protection IP. L'environnement doit être sécurisé en conséquence.
- Dans des installations et des conditions ambiantes exigeant des mesures de sécurité accrues, vous devez respecter les instructions et les dispositions en vigueur dans votre pays.

Lors de l'installation, choisissez un emplacement adéquat afin de ne pas exposer le comparateur aux influences suivantes :

- Chaleur due à un radiateur ou aux rayons du soleil
- Courants d'air directs causés par des fenêtres ou des portes ouvertes ou encore par un climatiseur
- Vibrations pendant la pesée
- Passage de personnes
- Humidité de l'air très élevée
- Champs électromagnétiques
- Air très sec

Adaptation de l'appareil à l'environnement

De la condensation peut se former lorsqu'un appareil froid est placé dans un environnement plus chaud. Dans ce cas, adaptez l'appareil débranché du secteur à la température de la pièce pendant environ deux heures avant de le raccorder au secteur.

3.4 Montage de la balance

AVIS

Ne branchez pas l'appareil au secteur avant d'avoir terminé le montage.

3.4.1 Poser le plateau de pesée.



- ▶ Posez le plateau de pesée sur la balance par le dessus.

3.4.2 Connexion de la balance



- ▶ Branchez le câble de jonction dans le connecteur femelle RJ-45 à l'arrière de l'écran.



- ▶ Insérez le câble de jonction (bleu) dans les fixations à l'arrière de la balance.



- ▶ Raccordez le câble de jonction au convertisseur de jonction antidéflagrant.

3.5 Raccordement de la mise à la terre

Qualification nécessaire : électricien qualifié

Le système antidéflagrant doit être installé conformément aux règles techniques reconnues. Veuillez vous conformer pour cela aux lois et directives nationales en vigueur dans votre pays. Avant de mettre la balance en service, faites vérifier que le système est dans un état conforme par un électricien ou bien la direction et le contrôle d'un électricien.

Vérifiez si les autorités compétentes (par ex. les services de l'Inspection du travail) doivent être informées. Des vérifications sont également nécessaires pendant le fonctionnement du système.

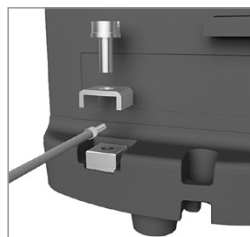
La périodicité de ces vérifications doit être fixée de telle manière que l'apparition de défauts éventuels, avec lesquels il faut toujours compter, puisse être détectée à temps.

Ces vérifications doivent être réalisées au minimum tous les trois ans. Pendant le fonctionnement, veillez à respecter les prescriptions et directives correspondantes.

Avant de mettre le système en service pour la première fois, assurez-vous qu'il n'y a aucun risque d'explosion dans cette zone.

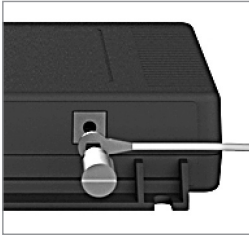
Lors de la mise en service, s'il se produit des erreurs provoquées par des dommages dus au transport (par ex. pas d'affichage, pas de rétroéclairage), débranchez la balance du secteur et informez-en le Sartorius Service.

Seul un électricien formé en conséquence est autorisé à effectuer l'installation de manière réglementaire et conformément aux règles techniques reconnues.



Connectez la balance à la borne d'équipotentialité à l'aide d'un câble d'équipotentialité d'au moins 4 mm² de section transversale.

- ▶ Raccordez la cosse du câble d'équipotentialité à la borne de mise à la terre de la balance.
- ▶ Raccordez le câble d'équipotentialité à la borne d'équipotentialité installée dans votre usine.



Connectez le convertisseur de jonction antidéflagrant à la borne d'équipotentialité à l'aide d'un autre câble d'équipotentialité d'au moins 4 mm² de section transversale.

- ▶ Raccordez la cosse du câble d'équipotentialité à la borne de mise à la terre du convertisseur de jonction antidéflagrant.
- ▶ Raccordez le câble d'équipotentialité à la borne d'équipotentialité installée dans votre usine.

3.6 Alimentation en courant

Qualification nécessaire : électricien qualifié

La balance est alimentée en courant par un PC/ordinateur portable ou par le bloc d'alimentation YEPS01-USB optionnel (voir chapitre « 6 Accessoires », page 30) qui est livré avec différents adaptateurs secteur spécifiques de divers pays.

AVIS

- Veillez à ce que la tension indiquée sur le bloc d'alimentation corresponde à la tension d'alimentation secteur sur votre lieu d'installation (caractéristiques de connexion, voir le chapitre « 8.1 Caractéristiques générales », page 31).
- Si la tension secteur et le type de la fiche du bloc d'alimentation ne correspondent pas aux normes en vigueur, contactez votre représentant Sartorius.

L'alimentation électrique à l'aide du bloc d'alimentation est nécessaire uniquement dans les cas suivants :

- si aucun PC ou ordinateur n'est disponible ;
- si, dans des cas exceptionnels, la tension de sortie du port USB du PC ou de l'ordinateur portable n'est pas suffisante.

L'assemblage du bloc d'alimentation est décrit ci-après.

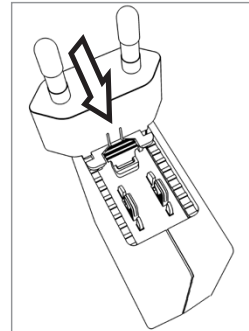
3.6.1 Installation du bloc d'alimentation

- ▶ **⚠ AVERTISSEMENT** Électrocutions mortelles et dommages sur l'appareil en cas d'adaptateur secteur inadapté ! Utilisez uniquement l'adaptateur secteur spécifique au pays. Ne branchez jamais l'adaptateur secteur dans la prise de courant s'il n'est pas inséré dans le bloc d'alimentation.
- ▶ Choisissez le bloc d'alimentation adapté à votre réseau électrique. L'adaptateur secteur doit être adapté à la prise de courant sur le lieu d'installation de l'appareil.

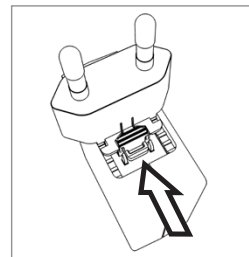
Jeux d'adaptateurs secteur

Sachet	Région / Pays
YEPS01-PS1	- États-Unis et Japon (US+JP) - Europe (EU) - Grande-Bretagne (GB)

Sachet	Région / Pays
YEPS01-PS6	- Argentine (AR) - Brésil (BR) - Australie (AU) - Afrique du Sud (ZA)
YEPS01-PS7	- Chine (CN) - Inde (IN) - Corée (KR)

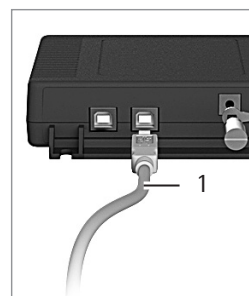


- ▶ Poussez l'adaptateur secteur dans la fixation du bloc d'alimentation. La touche striée doit être tournée vers l'avant.
- ▶ Enfoncez l'adaptateur secteur jusqu'à ce que vous l'entendiez s'enclencher.
- ▶ Vérifiez que l'adaptateur secteur est parfaitement fixé en le tirant légèrement vers l'arrière.
- ▶ Si l'adaptateur secteur ne bouge pas : il est correctement verrouillé.



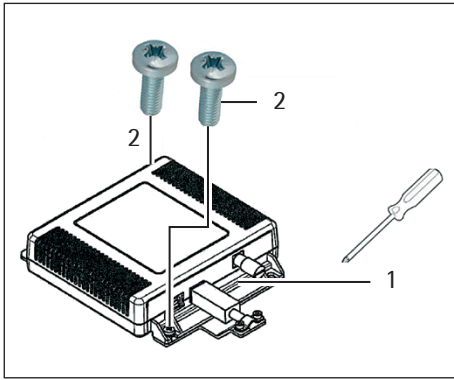
Démontage / remplacement de l'adaptateur secteur

- ▶ Appuyez sur le dessus de la touche striée tout en poussant l'adaptateur secteur vers l'arrière.
- ▶ Poussez l'adaptateur secteur et enlevez-le du bloc d'alimentation.

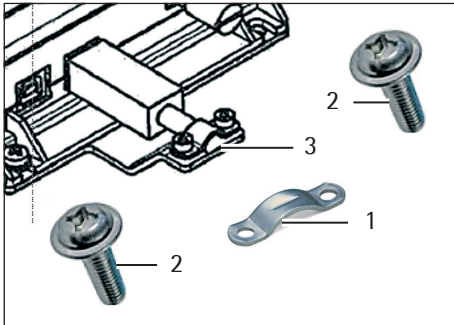


Connexion à un PC/ordinateur portable

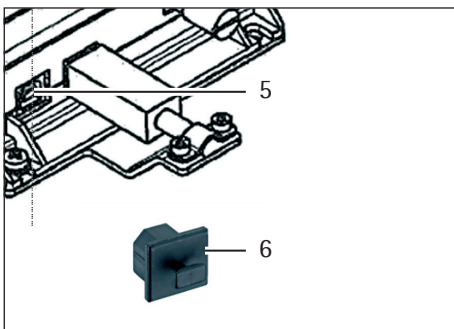
- ▶ Branchez un câble USB (1) dans le connecteur femelle droit du convertisseur de jonction antidéflagrant et raccordez le câble au PC ou à l'ordinateur portable. Lors de l'utilisation et de l'installation du convertisseur de jonction antidéflagrant YC014-Y dans des atmosphères explosives de la zone 2 ou de la division 2, et si le câble USB (1) ne contient aucun circuit électrique à sécurité intrinsèque, assurez-vous que le câble est protégé contre tout débranchement involontaire. Consultez le dessin de contrôle 2021459 et les instructions de sécurité 2023040 page 53, ainsi que les illustrations suivantes.



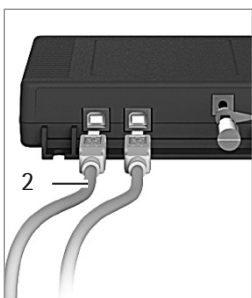
► Fixez la bride de décharge de traction YSR01 sur le convertisseur (1) à l'aide des deux vis (2).



► Fixez le câble USB à la bride de décharge de traction (1) à l'aide du collier de serrage (3) et des deux vis (4).



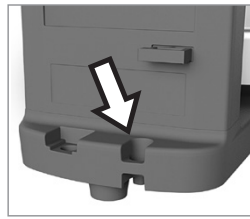
► Obturez le port USB (5) à l'aide du capuchon de protection (6).



Raccordement au bloc d'alimentation (en option) ; pas de raccordement si le convertisseur YC014-Y est installé dans une atmosphère explosive de la zone 2 ou de la division 2.

- Raccordez un autre câble USB (2) au convertisseur de jonction antidéflagrant.
- Raccordez le câble USB au bloc d'alimentation YEPS01-USB.
- Branchez le bloc d'alimentation dans une prise électrique (tension électrique).

3.7 Système antivol



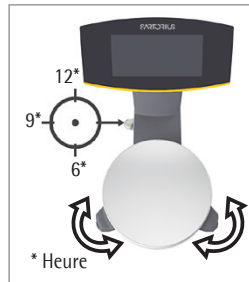
► Si nécessaire, fixez la balance à l'aide du système antivol qui se trouve à l'arrière.

3.8 Mise à niveau

Mise à niveau du modèle PMA.HD et des modèles approuvés pour l'utilisation en métrologie légale

La mise à niveau de la balance permet de compenser une inclinaison ou des inégalités de la surface de travail sur laquelle est installée la balance. Un positionnement horizontal exact garantit des résultats de pesée précis.

La balance doit être remise à niveau et ajustée à chaque fois qu'elle est déplacée.



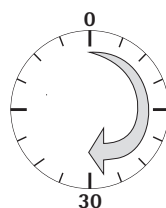
- Tournez les deux pieds de réglage comme indiqué sur l'illustration jusqu'à ce que la bulle d'air du niveau se trouve au milieu du cercle.
- Bulle d'air à « 12 h » : tournez les deux pieds de réglage dans le sens horaire.
- Bulle d'air à « 3 h » : tournez le pied de réglage gauche dans le sens horaire et le pied de réglage droit dans le sens anti-horaire.
- Bulle d'air à « 6 h » : tournez les deux pieds de réglage dans le sens anti-horaire.
- Bulle d'air à « 9 h » : tournez le pied de réglage gauche dans le sens anti-horaire et le pied de réglage droit dans le sens horaire.

3.9 Temps de préchauffage

M

Utilisation en métrologie légale de balances approuvées :

Observer un temps de préchauffage d'au moins 24 heures après le premier raccordement au secteur.



Après le premier raccordement au secteur, la balance a besoin d'un temps de préchauffage d'au moins 30 minutes afin de pouvoir fournir des résultats précis. L'appareil atteint alors la température nécessaire à son bon fonctionnement.

4 Nettoyage et maintenance

4.1 Nettoyage

Avant de procéder au nettoyage du bloc d'alimentation, du convertisseur de jonction antidéflagrant ou de la balance : mettez tous les appareils hors tension.

⚠ AVERTISSEMENT Danger dû au risque électrique !

Débranchez le bloc d'alimentation (optionnel). Si un câble de données est connecté au convertisseur de jonction antidéflagrant, débranchez-le. N'ouvrez jamais la balance ni le bloc d'alimentation. Ils ne contiennent pas de pièces qui doivent être nettoyées, réparées ou remplacées par l'utilisateur.

AVIS

Ne nettoyez pas les parties suivantes avec de l'acétone ou des produits de nettoyage corrosifs :

- entrée de la fiche secteur ;
- interface de données ;
- plaques et tous les autres éléments en plastique.

Procédure

- ▶ Débranchez l'appareil de l'alimentation électrique.
- ▶ **AVIS** Assurez-vous qu'aucun liquide ni aucune poussière ne pénètre dans la balance ou dans le bloc d'alimentation.
- ▶ **AVIS** Des produits de nettoyage inadaptés risquent de provoquer la corrosion de l'appareil ou d'endommager celui-ci !
 - ▶ N'utilisez **pas** de produits de nettoyage corrosifs, agressifs et contenant du chlore.
 - ▶ N'utilisez **pas** de produits de nettoyage qui contiennent des composants récurants (par ex. des produits à récurer, laine d'acier).
 - ▶ Pour nettoyer la balance, utilisez uniquement des brosses souples et des chiffons.
 - ▶ N'utilisez **pas** de produits de nettoyage qui contiennent des solvants.

Nettoyage du panneau de commande

- ▶ Avant de nettoyer le panneau de commande : éteignez l'appareil pour éviter d'effectuer involontairement des saisies lorsque vous touchez le panneau.

Nettoyage du boîtier de l'appareil

- ▶ Essuyez le boîtier avec un chiffon légèrement humide. En cas de saletés plus importantes, utilisez un savon doux.
- ▶ Ensuite, essuyez l'appareil avec un chiffon doux.

4.2 Maintenance

Il est conseillé d'effectuer la maintenance de votre balance au moins une fois par an pour garantir en permanence des mesures précises. À cet effet, le Sartorius Service propose différents contrats de maintenance modulables selon vos besoins.

Un certificat de calibrage doit toujours être délivré dans le cadre de la maintenance. Faites vérifier régulièrement la sécurité du bloc d'alimentation et de ses connecteurs par un électricien qualifié (par ex. tous les deux ans).

5 Recyclage

5.1 Instructions de décontamination

Conformément aux directives de l'Union européenne relatives aux matières dangereuses, il incombe au propriétaire d'appareils ayant été en contact avec des matières dangereuses de les éliminer de manière appropriée et de fournir une déclaration pour leur transport.

⚠ AVERTISSEMENT

Risque de blessures causées par des appareils contaminés !

Les appareils contaminés par des matières dangereuses (contaminations NBC) ne sont pas repris pour être réparés ou éliminés.

5.1.1 Remarques concernant l'élimination et le recyclage

L'appareil ainsi que les accessoires ne doivent **pas** être jetés dans les ordures ménagères normales, car ils sont fabriqués à partir de matériaux de grande qualité pouvant être recyclés et réutilisés. Tous les éléments doivent être éliminés de manière appropriée par des entreprises spécialisées.

L'emballage est composé de matériaux écologiques qui peuvent servir de matières secondaires.

5.1.2 Recyclage

Conditions requises

L'appareil a été décontaminé.

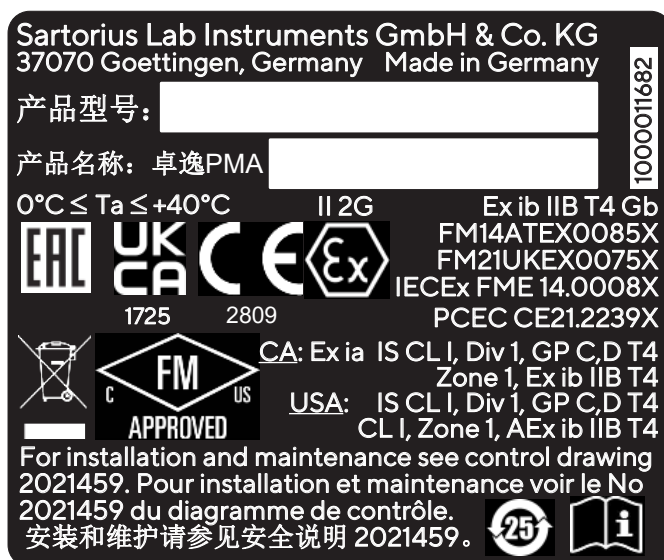
Procédure

- ▶ Éliminez l'appareil. Consultez à cet effet les consignes d'élimination disponibles sur notre site Internet (www.sartorius.com).
- ▶ Recyclez l'emballage conformément aux réglementations en vigueur dans votre pays.

6 Accessoires

Accessoires	Référence
Bloc d'alimentation (5,2 V / 1,4 A)	YEPS01-USB
Câble USB, 5 m	YCC01-0040M5
Jeu d'adaptateurs secteur pour YEPS01-USB	YEPS01-PS1
<ul style="list-style-type: none"> - États-Unis et Japon (US+JP) - Europe (EU) - Grande-Bretagne (GB) 	
Jeu d'adaptateurs secteur pour YEPS01-USB	YEPS01-PS6
<ul style="list-style-type: none"> - Argentine (AR) - Brésil (BR) - Australie (AU) - Afrique du Sud (ZA) 	
Jeu d'adaptateurs secteur pour YEPS01-USB	YEPS01-PS7
<ul style="list-style-type: none"> - Chine (CN) - Inde (IN) - Corée (KR) 	
Convertisseur de jonction antidéflagrant	YCO14-Y
Convertisseur de jonction antidéflagrant	YCO14-Z
Câble de jonction	
entre le convertisseur et la balance, 10 m	YCC01-0052M10
entre le convertisseur et la balance, 20 m	YCC01-0052M20
entre le convertisseur et la balance, 30 m	YCC01-0052M30
Décharge de traction	YSR01
Câble d'équipotentialité, 2 m	YCC01-X046M2
Cache de protection pendant le travail	
pour le panneau de commande, boîte de 10	YDC03PMA10
pour la colonne, PMA.Evolution, boîte de 10	YDC03PMA-CO10
pour le plateau de pesée, PMA.Evolution, boîte de 10	YDC03PMA-WP10
Poids d'ajustage	
pour PMA.Evolution :	
– 5 kg, classe de précision F2	YCW654-AC-00
– 2 kg, classe de précision F2	YCW624-AC-00
– 1 kg, classe de précision F2	YCW614-AC-00
pour PMA.HD :	
– 2 kg, classe de précision F1	YCW623-AC-00
– 1 kg, classe de précision F1	YCW613-AC-00

7 Codification du numéro de série



La date de fabrication de l'appareil est codée dans le numéro de série. La structure est la suivante :

AMM x x x x x

A	Année
3	2014-2020
4	2021-2027
5	2028-2034, etc.

La colonne de l'année A représente le numéro du groupe d'années qui définit une période de respectivement 7 ans. À l'intérieur de chaque groupe d'années, on augmente les chiffres des mois (M M) en partant de 13.

Année :	2018	2019	2020	2021	2022	...
MM :	61-72	73-84	85-96	13-24	25-36	...

Exemple :
388xxxxx (avril 2020). « xxxxxx » est un numéro continu qui, tous les mois, recommence à 1.

8 Caractéristiques techniques

8.1 Caractéristiques générales

Caractéristique	Unité	Valeur
Balance		
Alimentation électrique		Seulement via l'interface USB ou le bloc d'alimentation Sartorius YEPS01-USB
Tension d'entrée	V_{DC}	de +4,5 à 5,0
Puissance absorbée	W	2,0 (standard)
Autres données		IP40 selon EN 60529/CEI 60529
Conditions ambiantes		
Les caractéristiques techniques sont valables pour les conditions ambiantes suivantes :		
Environnement		Utilisation uniquement à l'intérieur
Température ambiante*	°C	de 0 à +40
Capacité opérationnelle	°C	Garantie entre +15 et +30
Stockage et transport	°C	de -10 à +60
Humidité relative de l'air	%	Jusqu'à 80 % pour des températures jusqu'à 30 °C sans condensation, décroissance linéaire jusqu'à 50 % d'humidité relative de l'air à 40 °C
Port d'interface du convertisseur de jonction antidéflagrant		USB, type B
Compatibilité électromagnétique		Selon EN 61326-1/IEC61326-1 : appareils électriques de mesure, de commande et de laboratoire – Prescriptions relatives à la CEM – Partie 1 : Exigences générales
Immunité aux émissions parasites		Exigences de base
Émissions parasites		Classe B Convient à une utilisation dans les zones résidentielles et les zones directement raccordées au réseau basse tension alimentant (également) des habitations.
	M	Les balances approuvées pour une utilisation en métrologie légale selon l'UE répondent aux exigences de la directive européenne 2014/31/EU avec les normes EN45501:2015 ou OIML R76:2006.
		* Pour les balances approuvées pour l'utilisation en métrologie légale selon l'UE, voir les indications apposées sur la balance. ** Pour les balances approuvées pour l'utilisation en métrologie légale selon l'UE, la législation en vigueur s'applique.
Programmes d'application sélectionnables		Recalcul, calcul avec un facteur, formulation
Bloc d'alimentation YEPS01-USB		
Bloc d'alimentation USB		Type FSP007-P01P (désignation du fabricant)
Primaire		100 – 240 V~, ±10 %, 50 – 60 Hz, ±5 %, ≤ 0,2 A
Secondaire		5,2 V_{DC} ± 5 %, 1,4 A (max.)
Autres caractéristiques		Classe de protection II IP40 selon EN 60529 / IEC 60529
Convertisseur de jonction antidéflagrant YCO14-Y YCO14-Z		
Autres données		IP40 selon EN 60529/CEI 60529

8.2 Caractéristiques techniques spécifiques des différents modèles

Modèle

Caractéristique	Unité	Valeur	Valeur
		PMA Evolution	PMA HD
		EVO1X	LAB1X
Étendue de pesée	g	7 500/999,95	2200
Précision de lecture	g	0,1/0,05	0,01/0,1
Étendue de tarage (soustractive)	g	-7500	-2200
Valeur du poids d'ajustage externe / classe de précision	kg	1, 2, 5 / F2 ou mieux	1, 2 / F1 ou mieux
Diamètre du plateau de pesée	mm	233	180
Poids net	kg	2,4	2,3

8.3 Modèles approuvés pour l'utilisation en métrologie légale avec approbation CE de type : caractéristiques techniques spécifiques des différents modèles

Caractéristique	Unité	Valeur
Modèle		PMA Evolution, EVO1X..EU..
Classe de précision		II
Type		PMA-EV
Étendue de pesée maximale	g	7500
Échelon réel d	g	0,1
Échelon de vérification e	g	1
Plage de température		+10 °C à +30 °C
Étendue de compensation de tare (soustractive)		≤ 100 % de l'étendue de pesée maximale

Caractéristique	Unité	Valeur
Modèle		PMA HD, LAB1X..EU..
Classe de précision		III
Type		PMA-HD
Étendue de pesée maximale	g	2200
Échelon réel d	g	1
Échelon de vérification e	g	1
Plage de température		+10 °C à +40°C
Étendue de compensation de tare (soustractive)		≤ 100 % de l'étendue de pesée maximale

9 Déclaration de conformité UE

Par la déclaration de conformité ci-jointe, la société Sartorius atteste que l'appareil est conforme aux directives mentionnées. La déclaration de conformité fournie avec la balance est valide pour les balances approuvées pour l'utilisation en métrologie légale dans l'Espace Économique Européen. Il est obligatoire de la conserver.

Índice

1 Acerca de este documento	33
1.1 Validez	33
1.2 Símbolos	33
2 Seguridad	33
2.1 Uso previsto	33
2.2 Protección contra explosiones	34
2.3 Cualificación del personal	34
2.4 Importancia de estas instrucciones de uso	35
2.5 Perfecto estado del aparato	35
2.6 Trabajos en el equipo eléctrico del aparato	35
2.7 Equipo de protección individual	35
2.8 Indicaciones de seguridad para el manejo del aparato	35
3 Instalación	35
3.1 Volumen de suministro	35
3.2 Desembalaje	35
3.3 Elección del lugar de colocación	35
3.4 Montar la balanza	36
3.5 Puesta a tierra	36
3.6 Establecer alimentación de tensión	37
3.7 Protección antirrobo	38
3.8 Nivelación	38
3.9 Tiempo de calentamiento previo	38
4 Limpieza y mantenimiento	39
4.1 Limpieza	39
4.2 Mantenimiento	39
5 Eliminación	39
5.1 Indicaciones para la descontaminación	39
6 Accesorios	40
7 Codificación del número de serie	40
8 Datos técnicos	41
8.1 Datos generales	41
8.2 Datos específicos de modelos	42
8.3 Modelos verificados con certificado de aprobación CE de tipo: datos técnicos específicos de cada modelo ..	42
9 Declaración de conformidad UE	42

1 Acerca de este documento

1.1 Validez

Estas instrucciones de manejo corresponden a las balanzas para la mezcla de pinturas de las series de modelos:

- EVO1X
- LAB1X

1.2 Símbolos

El término "aparato" utilizado en estas instrucciones identifica siempre a la combinación de balanza, fuente de alimentación y convertidor Ex-Link.

1.2.1 Advertencias

ADVERTENCIA

Esta indicación identifica un posible riesgo que podría tener como consecuencias la muerte o graves lesiones corporales si **no** se evita.

ATENCIÓN

Identifica un riesgo que podría tener como consecuencias lesiones corporales medias o leves si **no** se evita.

AVISO

Identifica un peligro que podría provocar daños materiales si **no** se evita.

1.2.2 Otros medios de representación

► Instrucción de actuación: describe tareas que deben realizarse.

▷ Resultado: describe el resultado de las actividades realizadas.

[] Hace referencia a elementos de manejo y visualización.

M Este símbolo hace referencia a la metrología legal para balanzas de conformidad evaluada (verificadas). Más adelante aparece el término "verificado" para la expresión técnica de la evaluación de la conformidad.

Ilustraciones de la pantalla de usuario

Las figuras en este manual se basan en balanzas "estándar". En las balanzas calibradas pueden haber pequeñas diferencias en la forma en que se muestran los avisos y en los protocolos de las figuras. En los casos importantes para el funcionamiento, se explicarán las diferencias en el texto.

2 Seguridad

2.1 Uso previsto

Esta balanza solo es adecuada para la mezcla de pinturas y lacas. Para contener los materiales se deben usar envases apropiados.

La balanza puede controlarse tanto de forma independiente con ayuda de una pantalla como con un software de aplicación instalado en un PC (p. ej. una aplicación de mezcla de pinturas del fabricante de pinturas). Para ello, el ordenador se conectará al convertidor Ex-Link por medio de un cable USB. Deberán observarse las indicaciones sobre la protección contra explosiones en el Capítulo 2.2, página 34.

Estas instrucciones forman parte del aparato. El aparato está diseñado para utilizarse exclusivamente de acuerdo con las presentes instrucciones.

Cualquier uso distinto se considera inadecuado. Si el aparato **no** se va a utilizar conforme a las instrucciones, las medidas de protección del aparato pueden verse afectadas. Esto puede provocar incalculables daños personales o materiales. En caso de uso en instalaciones y condiciones ambientales con requisitos de seguridad mayores, se deben respetar las condiciones y disposiciones del país.

Condiciones de uso para el aparato

Utilizar el aparato únicamente en edificios.

Utilizar el aparato únicamente con el equipamiento y en las condiciones de funcionamiento que se describen en los datos técnicos de estas instrucciones.

No desmontar ni modificar técnicamente el aparato de manera arbitraria. Las medidas de desmontaje y las modificaciones técnicas necesitan la autorización previa y por escrito de Sartorius.

El aparato, así como los accesorios suministrados por Sartorius, no deben someterse a temperaturas extremas, vapores químicos agresivos, humedad, golpes, vibraciones ni campos electromagnéticos fuertes. Respete las condiciones de uso especificadas en los datos técnicos.

Tanto los cables de conexión de aparatos como los recubrimientos de los hilos interiores del cable están fabricados en PVC. Mantenga alejado de estos conductores cualquier producto químico agresivo para estos materiales.

2.2 Protección contra explosiones

Uso en el ámbito de la aplicación de la directiva ATEX:

- El modelo de la serie EVO1X | LAB1X es, según la directiva 2014/34/UE, un aparato de la categoría 2, adecuado para áreas potencialmente explosivas de la zona 1.
- El convertidor Ex-Link YCO14-Z, como medio motriz eléctrico que forma parte del conjunto, solo se puede instalar fuera del área con peligro de explosión.
- El convertidor Ex-Link YCO14-Y es un medio motriz eléctrico que forma parte del conjunto que se puede utilizar en la zona 2.
- Las identificaciones de los dispositivos se deben extraer de los EU-Type Examination Certificates (certificados de comprobación del tipo de construcción de la UE) a partir de Página 53. Observar las notas de seguridad según el dibujo adjunto 2023040 a partir de Página 53.

Uso en Canadá y en los EE. UU.:

Las balanzas intrínsecamente seguras de las series de modelos EVO1X y LAB1X son apropiadas para el uso en la clase I, división 1, así como la clase I, zona 1. El convertidor Ex-Link YCO14-Y se puede utilizar en la clase I, división 2 y clase I, zona 2.

Deberán observarse los Certificados de Conformidad FM16US0226X y FM16CA0124X, así como el Plano de Control 2021459 a partir de Página 53.

Uso en Australia, Nueva Zelanda:

Deberán observarse el Certificado de Conformidad IECEx FME 14.0008X, así como las Instrucciones de Seguridad 2023040 a partir de Página 53.

2.3 Cualificación del personal

Estas instrucciones van dirigidas a los grupos de destinatarios mencionados más abajo. Todas las personas que utilicen el aparato deberán contar con los conocimientos y responsabilidades mencionados.

Si en la tareas descritas en estas instrucciones **no** se indica ninguna cualificación, significa que estas están orientadas al grupo de destinatarios "Usuario".

En el caso de que algunas tareas deban realizarlas otros grupos de destinatarios o el Sartorius Service, se indica la cualificación necesaria en la descripción de la tarea.

Grupo de destinatarios	Conocimientos y responsabilidades
Usuario	El usuario está familiarizado con el uso del aparato y los procesos de trabajo relacionados con este. Conoce los posibles peligros relacionados con el uso del aparato y sabe cómo evitarlos. El usuario ha recibido formación sobre el uso del aparato. La instrucción la realiza durante la puesta en marcha el ingeniero de operaciones o el jefe de laboratorio, o bien el operador del aparato.
Ingeniero técnico/jefe de laboratorio	El ingeniero técnico/jefe de laboratorio es el encargado de tomar las decisiones relacionadas con el uso y la parametrización del aparato. El ingeniero técnico/jefe de laboratorio ha recibido formación sobre el uso del aparato. La instrucción inicial se produce en el marco de la puesta en marcha y la imparte el Sartorius Service o el operador.
Personal electricista especializado	El personal electricista especializado, gracias a su formación técnica, conocimientos, experiencia y conocimiento de las normas aplicables, puede evaluar los trabajos encomendados y detectar los posibles peligros.
Operador	El operador del aparato es responsable del cumplimiento de las disposiciones de seguridad y protección en el trabajo. El operador debe asegurar que todas las personas que trabajan con el aparato tienen acceso a la información relevante y han sido instruidas en el manejo del aparato.

2.4 Importancia de estas instrucciones de uso

El incumplimiento de las instrucciones puede tener graves consecuencias como, por ejemplo, peligros para personas por influencias eléctricas, mecánicas o químicas.

- ▶ Antes de efectuar cualquier trabajo en la máquina, leer las instrucciones atenta y completamente.
- ▶ En caso de pérdida del manual puede solicitar uno nuevo o descargar el manual más reciente de la página de Internet de Sartorius (www.sartorius.com).
- ▶ La información del manual de instrucciones debe estar al alcance de todas las personas que trabajan con el aparato.

2.5 Perfecto estado del aparato

Un aparato dañado puede ocasionar funcionamientos incorrectos o dar lugar a peligros difíciles de identificar.

- ▶ El aparato debe utilizarse únicamente en un estado perfecto en razón de la seguridad.
- ▶ Desconecte el aparato dañado de la corriente de inmediato.
- ▶ Encargue la reparación de daños al Sartorius Service de inmediato.

2.6 Trabajos en el equipo eléctrico del aparato

Todos los trabajos y modificaciones en el equipo eléctrico del aparato deben encomendarse exclusivamente al Sartorius Service. Solo Sartorius Service puede abrir el aparato.

M

Sello en las variantes verificadas

El legislador exige un sello de la balanza verificada. Para garantizar la seguridad de los aparatos verificados se coloca una marca adhesiva con el nombre "Sartorius". En caso de que esta se elimine, se extingue la validez de la verificación y la balanza debe regularse de nuevo. Para las balanzas verificadas que se vayan a emplear en el EEE es válida la verificación efectuada y la declaración de conformidad adjuntada. Guárdela sin falta.

2.7 Equipo de protección individual

El equipo de protección individual protege contra peligros derivados de los materiales procesados.

- ▶ Si el área de trabajo o el proceso en el que se va a utilizar el aparato requiere un equipo de protección individual, utilizar el equipo de protección individual.

2.8 Indicaciones de seguridad para el manejo del aparato

- No dañe el vidrio de la pantalla de manejo (p. ej. por caídas de objetos, golpes o presión excesiva). Si la placa de vidrio sufre algún daño, desenchufe inmediatamente el aparato de la alimentación eléctrica.

- No toque la superficie de la pantalla de manejo con objetos puntiagudos, cortantes, duros ni rugosos, sino exclusivamente con un lápiz táctil previsto para este fin o con las yemas de los dedos. Para limpiar, no utilice bajo ningún concepto prendas de vestir (como mangas, etc.) ni esponjas, ya que pueden arañar la superficie (p. ej. debido a remaches o botones en las mangas o a arena en las esponjas).
- Evite que el vidrio de la pantalla de manejo y la carcasa de plástico se carguen electrostáticamente.



Riesgo de daños en la balanza.

No cierre nunca la lata de pintura con un martillo mientras esta se encuentre sobre el plato de pesaje.

Coloque la lata de pintura sobre una superficie estable para cerrarla.

3 Instalación

3.1 Volumen de suministro

Modelo	PMA.Evolution	PMA.HD
Plato de pesaje grande: Ø 233 mm	x	–
Plato de pesaje pequeño: Ø 180 mm	–	x
Cable USB	x	x
Convertidor Ex-Link	x	x
Cable de compensación de potencial	x	x
Cable de enlace del convertidor a la balanza	x	x
Instrucciones de instalación	x	x

3.2 Desembalaje

Procedimiento

- ▶ Abra el embalaje y saque cuidadosamente todas las piezas.
- ▶ Compruebe inmediatamente después de desembalar si el aparato tiene daños externos.
- ▶ Si el aparato se va a almacenar temporalmente, hacerlo de acuerdo con las condiciones ambientales (ver Capítulo "8.1 Datos generales", página 41).
- ▶ Conserve todas las piezas del embalaje original para un eventual envío de retorno. Antes del envío, desconecte todos los cables.

3.3 Elección del lugar de colocación

Elegir el lugar correcto

- Colocar el aparato sobre una superficie estable, plana y sin muchas sacudidas.

- Mantener el acceso al aparato en todo momento libre.
- Maneje los aparatos cuidadosamente, cumpliendo las normas de protección IP. El entorno debe estar correspondientemente asegurado.
- En caso de uso en instalaciones y condiciones ambientales con requisitos de seguridad mayores, se deben respetar las condiciones y disposiciones del país.

Para la colocación, evitar lugares con influencias inadecuadas:

- Calor (calefacción, radiación solar)
- Corriente de aire directa por ventana abierta, instalación de aire acondicionado o puertas
- Sacudidas durante la medición
- Lugar de tráfico de personas
- Humedad del aire extremadamente alta
- Campo electromagnético
- Aire extremadamente seco

Aclimatizar

Cuando un aparato frío se lleva a un entorno caluroso, esto puede causar condensación de la humedad del aire (empañamiento). Por eso, aclimatice el aparato desconectado de la tensión, durante unas 2 horas, antes de conectarlo nuevamente a la tensión de alimentación.

3.4 Montar la balanza

AVISO

Para todos los trabajos de montaje, el aparato debe estar desconectado de la alimentación eléctrica.

3.4.1 Colocar el plato de pesaje



- ▶ Ponga el plato de pesaje desde arriba sobre la balanza.

3.4.2 Conexión de la balanza



- ▶ Enchufe el conector del cable Link de la parte posterior de la pantalla en la toma RJ-45.



- ▶ Haga pasar el cable Link (azul) por el soporte de cable de la parte posterior de la balanza.



- ▶ Conecte el cable Link al convertidor Ex-Link.

3.5 Puesta a tierra

Cualificaciones necesarias: Personal electricista especializado

El aparato con protección contra explosiones debe instalarse según las reglas reconocidas de la técnica. Debe observar las leyes/reglamentaciones nacionales correspondientes.

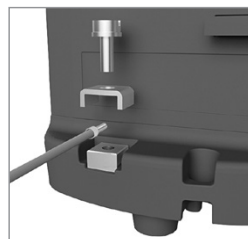
Antes de poner en funcionamiento la balanza, debe controlarse el estado correcto, bien por un electricista o bien bajo la dirección y supervisión de un electricista.

Verifique si es necesario informar a los organismos pertinentes (p. ej. oficina de inspección industrial). También son necesarios controles durante el funcionamiento del aparato.

Los plazos deben calcularse de manera que los defectos que se originen, con los que debe contarse, puedan reconocerse a tiempo. Los controles deben realizarse por lo menos cada tres años. Durante la utilización deberán cumplirse todas las obligaciones y directrices pertinentes.

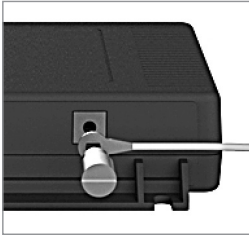
Ponga en funcionamiento el aparato solamente después de asegurarse de que el área no presenta riesgo de explosión. Si al ponerlo en funcionamiento se presentan problemas provocados por daños durante el transporte (p. ej. ninguna indicación, sin retroiluminación), desconectar la balanza de la red e informar al Sartorius Service.

La instalación debe realizarla conforme a las instrucciones un electricista formado especialmente para ello y según las reglas de la técnica.



Conecte la balanza a la compensación de potencial utilizando un cable de compensación de potencial con una sección mínima de 4 mm².

- ▶ Conecte el terminal del cable de compensación de potencial al borne de tierra de la balanza.
- ▶ Conecte el cable de compensación de potencial a la compensación de potencial del cliente.



Conecte el convertidor Ex-Link a la compensación de potencial utilizando un segundo cable de compensación de potencial con una sección mínima de 4 mm².

- ▶ Conecte el terminal del cable de compensación de potencial al borne de tierra del convertidor Ex-Link.
- ▶ Conecte el cable de compensación de potencial a la compensación de potencial del cliente.

3.6 Establecer alimentación de tensión

Cualificaciones necesarias: Personal electricista especializado

La alimentación eléctrica a la balanza se realiza a través de un ordenador de escritorio/portátil o mediante la fuente de alimentación YEPS01-USB (ver Capítulo "6 Accesorios", página 40), que se suministra con diferentes adaptadores de red específicos para cada país.

AVISO

- El valor de tensión eléctrica indicado en la fuente de alimentación debe coincidir con la tensión de red local (para los datos de conexión, ver capítulo "8.1 Datos generales", página 41).
- Si la tensión de red indicada o el modelo de enchufe de la fuente de alimentación no se corresponden con las normas utilizadas en el país, póngase en contacto con la representación de Sartorius más próxima.

La alimentación eléctrica con la fuente de alimentación solo será necesaria:

- cuando no esté disponible un PC o portátil,
- en casos excepcionales cuando la tensión de salida de la interfaz USB del PC o portátil no es suficiente.

El ensamblaje de la fuente de alimentación se describe a continuación.

3.6.1 Montar fuente de alimentación

- ▶ **⚠ ADVERTENCIA** Peligro de electrocución y de daños en el aparato por un adaptador de red incorrecto. Utilizar solo el adaptador de red específico del país. No enchufe jamás el adaptador de red separado de la fuente de alimentación.
- ▶ Seleccione el adaptador de red adecuado para la red eléctrica. El adaptador de red debe ser apropiado para el enchufe del lugar de instalación.

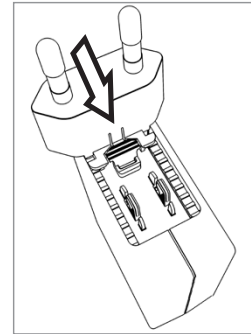
Juegos de adaptadores de red

Bolsa	Región/País
YEPS01-PS1	– EE. UU. y Japón (US+JP) – Europa (EU) – Gran Bretaña (GB)

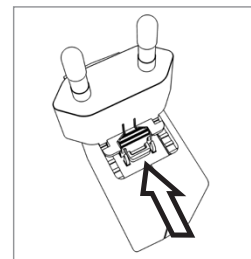
Bolsa Región/País

YEPS01-PS6	– Argentina (AR) – Brasil (BR) – Australia (AU) – Sudáfrica (ZA)
------------	---

YEPS01-PS7	– China (CN) – India (IN) – Corea (KR)
------------	--

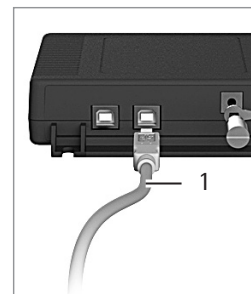


- ▶ Introduzca el adaptador de red en el alojamiento de la fuente de alimentación. La tecla estriada debe mirar hacia delante.
- ▶ Deslice el adaptador de red hasta el tope, hasta que encaje y haga clic.
- ▶ Compruebe que el adaptador de red esté bien encajado. Para ello, tire suavemente del adaptador de red.
- ▶ Si no se puede mover el adaptador de red, significa que está bloqueado.



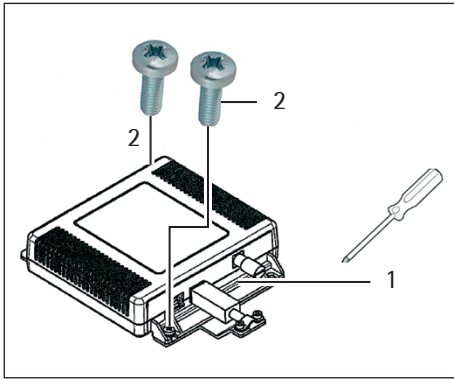
Desmontaje/sustitución del adaptador de red

- ▶ Desde arriba, pulse la tecla estriada mientras desliza el adaptador de red hacia atrás.
- ▶ Extraiga y retire el adaptador de red de la fuente de alimentación.

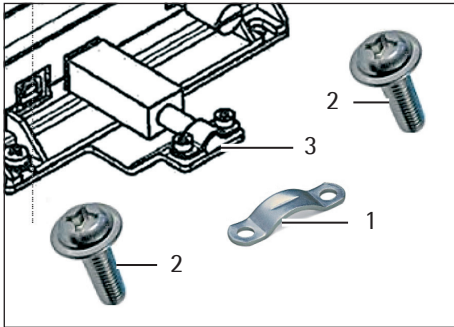


Conexión a un ordenador de escritorio/portátil

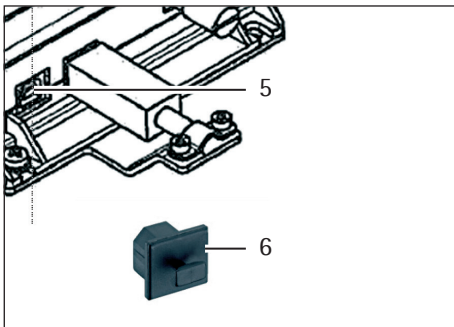
- ▶ Conecte un cable USB (1) a la toma derecha del convertidor Ex-Link y a un ordenador de escritorio o portátil. Si se instala y utiliza el convertidor Ex-Link YCO14-Y en áreas potencialmente explosivas de la zona 2 o la división 2 y el cable USB (1) no contiene ningún circuito eléctrico con seguridad intrínseca, el cable se deberá fijar para evitar una desconexión. Ver el Plano de Control 2021459 y las Instrucciones de Seguridad 2023040 a partir de Página 53, así como las siguientes ilustraciones.



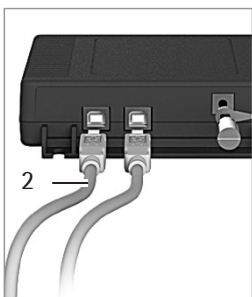
- Fije la brida de descarga de tracción YSR01 con los dos tornillos (2) al convertidor (1).



- Fije el cable USB con la abrazadera (3) y los dos tornillos (4) a la brida de descarga de tracción (1).



- Cierre la toma USB izquierda (5) con la tapa de protección (6).



Conexión a la fuente de alimentación (opcional); no en el caso de YC014-Y, si esta está instalada en un área potencialmente explosiva de la zona 2 o la división 2.

- Conecte un segundo cable USB (2) al convertidor Ex-Link.
- Conecte el cable USB a la fuente de alimentación YEPS01-USB.
- Conecte la fuente de alimentación a una toma de pared (tensión de red).

3.7 Protección antirrobo



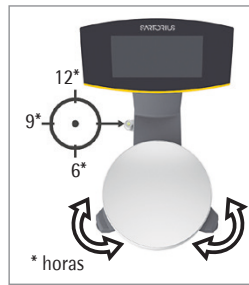
- Asegure la balanza por el lado posterior, en caso necesario.

3.8 Nivelación

Nivelación del modelo PMA.HD y de modelos verificados

Con la nivelación de la balanza pueden compensarse inclinaciones en el lugar de instalación. Una colocación exacta y horizontal de la balanza garantiza resultados de pesaje precisos.

La balanza debe nivelarse y ajustarse de nuevo en caso necesario cada vez que se cambie su ubicación.



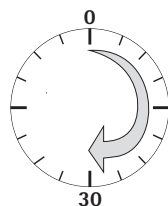
- Gire los dos tornillos de las patas tal y como se muestra en la figura, hasta que la burbuja de aire del nivel esté en el centro del círculo.
 - Burbuja a las "12 horas": girar las dos patas en sentido horario.
 - Burbuja a las "3 horas": girar la pata izquierda en sentido horario, la pata derecha en sentido antihorario.
 - Burbuja a las "6 horas": girar las dos patas en sentido antihorario.
 - Burbuja a las "9 horas": girar la pata izquierda en sentido antihorario, la pata derecha en sentido horario.

3.9 Tiempo de calentamiento previo

M

Utilización de balanzas verificadas para la metrología legal:

Respetar un tiempo de precalentamiento de mínimo 24 horas después de conectarla a la red eléctrica.



Para obtener resultados exactos, la balanza necesita un tiempo de precalentamiento mínimo de 30 minutos después de conectarla por primera vez al suministro de corriente.

En ese momento, el aparato habrá alcanzado la temperatura de funcionamiento necesaria.

4 Limpieza y mantenimiento

4.1 Limpieza

Antes de la limpieza del aparato de red, del convertidor Ex-Link o de la balanza, desconecte todos los aparatos.

ADVERTENCIA Peligro por tensión eléctrica.

Desconecte la fuente de alimentación (opcional) de la red eléctrica. En caso necesario, desconecte el cable de datos conectado al convertidor Ex-Link. No abra jamás la balanza ni la fuente de alimentación. No contienen piezas pequeñas que el usuario puede limpiar, reparar o sustituir.

AVISO

No limpie las siguientes piezas con acetona o productos de limpieza agresivos:

- Entrada del conector de alimentación
- Interfaz de datos
- Rótulos y los demás componentes de plástico

Procedimiento

- ▶ Desconectar el aparato del suministro eléctrico.
- ▶ **AVISO** Asegúrese de que no entre polvo ni líquido en la balanza o la fuente de alimentación.
- ▶ **AVISO** Corrosión y daños en el aparato por productos de limpieza inadecuados.
 - ▶ **No** utilizar productos de limpieza cáusticos, clorados ni agresivos.
 - ▶ **No** utilizar productos de limpieza que incluyan componentes decapantes, como por ejemplo crema limpiadora o lana de acero.
 - ▶ Utilice un cepillo blando y un paño para la limpieza.
 - ▶ **No** utilizar productos de limpieza con disolventes.

Limpieza del panel de control

- ▶ Antes de limpiar el panel de control, desconecte el aparato para evitar la introducción accidental de datos por pulsaciones involuntarias.

Limpieza de la carcasa

- ▶ Limpiar la carcasa con un paño de limpieza ligeramente humedecido. Utilizar agua jabonosa para eliminar las impurezas más persistentes.
- ▶ A continuación, limpie el aparato con un paño suave.

4.2 Mantenimiento

Para garantizar la seguridad de medición constante de su balanza, recomendamos un mantenimiento regular, al menos una vez al año. Sartorius Service le ofrece al efecto diversos contratos de mantenimiento, que podemos adecuar a sus necesidades.

En el marco de todos los mantenimientos, se deberá emitir siempre un certificado de calibración. Haga realizar una comprobación de seguridad técnica de la fuente de alimentación y sus conexiones a un electricista en intervalos adecuados (p. ej. cada 2 años).

5 Eliminación

5.1 Indicaciones para la descontaminación

Según dictan las normas de la UE del Reglamento Europeo sobre sustancias peligrosas, en caso de que los aparatos hayan entrado en contacto con sustancias peligrosas, son los propietarios de estos los responsables de eliminarlos adecuadamente y de expedir la correspondiente declaración para su transporte.

ADVERTENCIA

Peligro de lesiones por aparatos contaminados.

No se admitirá para su reparación y desecho ningún aparato contaminado con sustancias peligrosas (contaminación ABC).

5.1.1 Indicaciones para la eliminación

El aparato y los accesorios incluidos **no** deben desecharse junto con los residuos domésticos, ya que están fabricados con materiales de gran calidad que se pueden reciclar y reutilizar. Todas las piezas deben desecharse correctamente a través de centros de recogida de residuos.

El embalaje está compuesto por materiales respetuosos con el medio ambiente que se pueden utilizar como materia prima reciclada.

5.1.2 Eliminación

Requisitos

Este aparato está descontaminado.

Procedimiento

- ▶ Desechar el aparato. Usar para ello las indicaciones de eliminación de nuestra página web (www.sartorius.com).
- ▶ Desechar el embalaje de conformidad con las normas locales.

6 Accesorios

Accesorios	Número de pedido
Fuente de alimentación (5,2 V/1,4 A)	YEPS01-USB
Cable USB, 5 m	YCC01-0040M5
Juego de adaptadores de red para YEPS01-USB	YEPS01-PS1
<ul style="list-style-type: none"> - EE. UU. y Japón (US+JP) - Europa (EU) - Gran Bretaña (GB) 	
Juego de adaptadores de red para YEPS01-USB	YEPS01-PS6
<ul style="list-style-type: none"> - Australia - Argentina (AR) - Brasil (BR) - Australia (AU) - Sudáfrica (ZA) 	
Juego de adaptadores de red para YEPS01-USB	YEPS01-PS7
<ul style="list-style-type: none"> - China (CN) - India (IN) - Corea (KR) 	
Convertidor Ex-Link	YCO14-Y
Convertidor Ex-Link	YCO14-Z
Cable Link	
del convertidor a la balanza, 10 m	YCC01-0052M10
del convertidor a la balanza, 20 m	YCC01-0052M20
del convertidor a la balanza, 30 m	YCC01-0052M30
Descarga de tracción	YSR01
Cable de compensación de potencial, 2 m	YCC01-X046M2
Cubierta protectora de uso	
para el panel de control, paquete de 10	YDC03PMA10
para el soporte, PMA.Evolution, paquete de 10	YDC03PMA-CO10
para el plato de pesaje, PMA.Evolution, paquete de 10	YDC03PMA-WP10
Pesas de ajuste	
para PMA.Evolution:	
- 5 kg, clase de precisión F2	YCW654-AC-00
- 2 kg, clase de precisión F2	YCW624-AC-00
- 1 kg, clase de precisión F2	YCW614-AC-00
para PMA.HD:	
- 2 kg, clase de precisión F1	YCW623-AC-00
- 1 kg, clase de precisión F1	YCW613-AC-00

7 Codificación del número de serie



La fecha de fabricación del aparato está codificada en el número de serie. La estructura es como sigue:

AMM x x x x x	
A	Año
3	2014-2020
4	2021-2027
5	2028-2034 etc.

La columna año A representa el número de grupos de años, los que definen un período de cada vez 7 años. Dentro de cada grupo de años se cuentan los meses hacia arriba (MM) a partir de 13.

Año:	2018	2019	2020	2021	2022	...
MM:	61-72	73-84	85-96	13-24	25-36	...

Ejemplo:
388xxxxx (abril 2020). "xxxxx" es un número consecutivo. Los meses empiezan por el número 1 y la numeración aumenta consecutivamente.

8 Datos técnicos

8.1 Datos generales

Especificaciones	Unidad	Valor
Balanza		
Alimentación de tensión		Solo mediante interfaz USB o fuente de alimentación YEPS01-USB de Sartorius
Tensión de entrada	V_{cc}	+4,5 hasta 5,0
Consumo de potencia	W	2,0 (típico)
Otros datos		IP40 según EN 60529/IEC 60529
Condiciones ambientales		
Las especificaciones técnicas son válidas para las siguientes condiciones medioambientales:		
Entorno		Utilizar solo en espacios interiores
Temperatura ambiente*	°C	De 0 a +40
Operatividad	°C	Garantizada entre +15 y +30
Almacenamiento y transporte	°C	-10 hasta +60
Humedad del aire relativa	%	hasta el 80 % para temperaturas de hasta 30 °C, sin condensación, disminuyendo linealmente hasta el 50 % de humedad relativa del aire a 40 °C
Conexión de interfaz del convertidor Ex-Link		USB, tipo B
Compatibilidad electromagnética		Según EN 61326-1/IEC61326-1 Equipos eléctricos de medida, control, regulación y uso en laboratorio - Requisitos CEM - Parte 1: Requisitos generales
Resistencia a interferencias		Requisitos básicos
Emisión de interferencias		Clase B Apto para el uso en zonas urbanas y zonas conectadas directamente a la red de baja tensión que (también) da suministro a viviendas.
	M	Las balanzas verificadas según la UE cumplen las exigencias de la directiva europea 2014/31/UE con EN45501:2015 o, en su caso, OIML R76:2006.
		* En balanzas verificadas conforme a la UE, ver los datos en la balanza. ** En balanzas verificadas conforme a la UE se aplica la normativa legal.
Aplicaciones seleccionables		Recálculo, cálculo del factor, formulación
Fuente de alimentación YEPS01-USB		
Adaptador de alimentación USB		Tipo FSP007-P01P (denominación del fabricante)
Primaria		100 – 240 V~, ±10 %, 50 – 60 Hz, ±5 %, ≤ 0,2 A
Secundaria		5,2 V_{DC} ± 5 %, 1,4 A (máx.)
Otros datos		Clase de protección II IP40 según EN 60529/IEC 60529
Convertidor Ex-Link YC014-Y YC014-Z		
Otros datos		IP40 según EN 60529/IEC 60529

8.2 Datos específicos de modelos

Modelo

Especificaciones	Unidad	Valor	Valor
		PMA Evolution	PMA HD
		EVO1X	LAB1X
Rango de pesaje	g	7500/999,95	2200
Legibilidad	g	0,1/0,05	0,01/0,1
Rango de tara (sustractiva)	g	-7500	-2200
Valor de la pesa externa de ajuste/ Categoría de precisión	kg	1, 2, 5/ F2 o mejor	1, 2/ F1 o mejor
Diámetro del plato de pesaje	mm	233	180
Peso neto	kg	2,4	2,3

8.3 Modelos verificados con certificado de aprobación CE de tipo: datos técnicos específicos de cada modelo

Especificaciones	Unidad	Valor
Modelo		PMA Evolution, EVO1X..EU..
Clase de precisión		II
Tipo de construcción		PMA-EV
Rango de pesaje máximo	g	7500
Incremento de indicación d	g	0,1
Valor verificable e	g	1
Rango de temperatura		+10 °C – +30 °C
Rango de compensación de tara (sustractivo)		≤ 100 % del rango de pesaje máximo

Especificaciones	Unidad	Valor
Modelo		PMA HD, LAB1X..EU..
Clase de precisión		III
Tipo de construcción		PMA-HD
Rango de pesaje máximo	g	2200
Incremento de indicación d	g	1
Valor verificable e	g	1
Rango de temperatura		+10 °C – +40 °C
Rango de compensación de tara (sustractivo)		≤ 100 % del rango de pesaje máximo

9 Declaración de conformidad UE

Con la declaración de conformidad adjunta se ratifica que el aparato cumple las Directivas mencionadas. Para las balanzas verificadas que se vayan a emplear en el EEE es válida la declaración de conformidad adjuntada. Guárdela sin falta.

Innehåll

1 Om detta dokument	43
1.1 Giltighet	43
1.2 Beskrivningsmedel	43
2 Säkerhet	43
2.1 Ändamålsenlig användning.....	43
2.2 Explosionskydd	44
2.3 Personalens kvalifikationer.....	44
2.4 Den här anvisningens betydelse.....	45
2.5 Apparatsens soliditet.....	45
2.6 Arbeta på maskinens elektriska delar	45
2.7 Personlig skyddsutrustning.....	45
2.8 Säkerhetsanvisningar till apparatsens drift	45
3 Installation	45
3.1 Leveransomfång.....	45
3.2 Uppackning.....	45
3.3 Välj installationsplats.....	45
3.4 Montera vågen.....	46
3.5 Anslut jordningen	46
3.6 Upprätta spänningsförsörjning.....	47
3.7 Stöldskydd	48
3.8 Nivellering.....	48
3.9 Förvärmningstid.....	48
4 Rengöring och underhåll	49
4.1 Rengör.....	49
4.2 Underhåll	49
5 Avfallshantering	49
5.1 Upplysningar om dekontaminering	49
6 Tillbehör	50
7 Kodning av serienummer	50
8 Tekniska data	51
8.1 Allmänna uppgifter	51
8.2 Modellspecifika data	52
8.3 Kalibrerade modeller med EG-konstruktionsgodkännande: Modellspecifik teknisk data.....	52
9 EU-försäkran om överensstämmelse	52

1 Om detta dokument

1.1 Giltighet

Denna bruksanvisning gäller för färgtillblandningsvågar av modellserien:

- EVO1X
- LAB1X

1.2 Beskrivningsmedel

Begreppen som används i bruksanvisningen betecknar alltid kombinationen av våg, nätenhet eller Ex-Link-konverter.

1.2.1 Varningar

VARNING

Kännetecknar en fara som kan leda till dödsfall eller svåra kroppsskador om den **inte** undviks.


OBSERVERA

Kännetecknar en möjlig fara med liten risk, som kan leda till medelsvåra eller lätta kroppsskador om den **inte** undviks.

OBS

Kännetecknar en möjlig fara som kan leda till saksador om den **inte** undviks.

1.2.2 Ytterligare beskrivningsmedel

- ▶ Handlingsanvisning Beskriver aktiviteter som måste utföras.
- ▷ Resultat: Beskriver resultatet av utförda aktiviteter.
- [] Hänvisning till kontroll och visningselement
-  Denna symbol ger en anvisning om den kalibrerade driften för vågar som har utvärderas (kalibrerats) för överensstämmelse. I texten nedan står begreppet "kalibrerad" för fackuttrycket utvärdering av överensstämmelse.

Bilder över funktionsdisplayen

Figurerna i denna bruksanvisning grundas på standardvågar. Vid krönta vågar kan vissa indikatorbeskrivningar och protokoll från figurerna avvika något. Där detta har betydelse för driften förklaras skillnaderna i texten.

2 Säkerhet

2.1 Ändamålsenlig användning

Denna våg är endast avsedd för blandning av färger och lacker. För upptagning av material måste lämpliga kärl användas.

Vågen får styra såväl över en fristående display som med hjälp av en på datorn installerad applikationsmjukvara (t.ex. en färgblandningsapplikation från färgtillverkaren). Datorn förbinds genom en USB-kabel med Ex-Link-konvertern. Uppgifterna i explosionskyddet i Kapitel 2.2, sidan 44 ska beaktas.

Bruksanvisningen är en beståndsdel av apparaten. Apparaten är endast avsedd för användning i enlighet med den här anvisningen.

All annan användning ska betraktas som **felaktig**. Om apparaten **inte** används på ett korrekt sätt: Skydden på apparaten kan påverkas. Detta kan leda till oförutsedda person- eller saksador.

Vid användning i anläggningar och omgivningsförhållanden med höjda säkerhetskrav ska landets villkor och bestämmelser följas.

Villkor för att använda apparaten

Använd endast apparaten inomhus.

Använd endast apparaten med utrustning under de driftsvillkor som beskrivs i den tekniska informationen som finns i den här bruksanvisningen.

Bygg **inte** om apparaten på ett otillåtet sätt och gör inga tekniska ändringar på den. Ombyggnationer och tekniska ändringar på apparaten får endast göras efter ett skriftligt godkännande av Sartorius.

Apparaten och medföljande tillbehör från Sartorius får inte utsättas för extrema temperaturer, aggressiva kemiska ångor, fukt, stötar, vibrationer eller starka elektromagnetiska fält. Användningsvillkoren ska rätta sig efter tekniska data! Förbindelsekablar mellan enheterna, liksom manteln för ledarna i den invändiga kabeldragningen, består av PVC-material. Kemikalier som korroderar dessa material måste hållas borta från dessa kablar.

2.2 Explosionskydd

Användning i tillämpningsområdet för den europeisk ATEX-riktlinjen:

- Vid modellen i serien EVO1X | LAB1X handlar det enligt 2014/34/EU om en enhet i kategori 2 som är lämpad för användning i explosionsfarligt område i zon 1.
- Ex-Link-konvertern YCO14-Z är lämpad som tillhörande elektriska system för installation utanför explosionsfarligt område.
- Ex-Link-konvertern YCO14-Y är ett tillhörande elektriskt system som får användas i zon 2.
- Märkningen på apparaten är EU-Type Examination Certificates (EU-typkontrollintyg) på Sidan 53. Säkerhetsanvisningarna enligt ritning 2023040 från Sidan 53 ska följas.

Användning i Kanada och USA:

Den egensäkra vågen i modellserien EVO1X | LAB1X är lämplig för användning i klass I, division 1 och klass I, zon 1. Ex-Link-konvertern YCO14-Y får användas i klass I, division 2 och klass I, zon 2. Försäkran om överensstämmelse FM16US0226X och FM16CA0124X samt Control Drawing 2021459 från Sidan 53 ska följas.

Användning i Australien/Nya Zeeland:

IECEx-försäkran om överensstämmelse IECEx FME 14.0008X och Safety Instructions 2023040 från Sidan 53 ska följas.

2.3 Personalens kvalifikationer

Bruksanvisningen riktar sig till målgrupperna nedan. Alla människor som arbetar med apparaten måste förfoga över färdigheterna och kunskaperna som nämns.

Om **inga** kvalifikationer anges för uppgifterna som nämns i den här bruksanvisningen: Aktiviteterna som beskrivs riktar sig till målgruppen "Operatör".

När enskilda aktiviteter måste utföras av andra målgrupper eller Sartorius service måste: Nödvändiga kvalifikationer anges i beskrivningen av uppgiften.

Målgrupp	Färdigheter och kunskaper
Operatör	Operatören är väl bekant med driften av den här apparaten och med arbetsprocesserna som är förenade med den. Denne känner till riskerna som kan uppstå under arbetet med apparaten och kan undvika dessa risker. Operatören är instruerad i apparatens drift. Instruktionen sker inom ramen för idrifttagningen och genomförs av produktionsingenjören/laboratoriechefen eller apparatens operatör.
Produktionsingenjör/laboratoriechef	Produktionsingenjören/laboratoriechefen beslutar över apparatens användning och parametrering. Produktionsingenjören/laboratoriechefen är instruerad i apparatens drift. Instruktionen sker inom ramen för idrifttagningen och genomförs av Sartorius service eller operatören.
Kvalificerad elektriker	Elektriker kan, tack vare sin specialutbildning, sina kunskaper och erfarenheter samt kunskap om de relevanta bestämmelserna, bedöma och identifiera risker för arbetet som denne har tilldelats.
Operatör	Apparatens operatör är ansvarig för att säkerhetsbestämmelserna och bestämmelserna för arbetarskyddet följs. Operatören måste säkerställa att alla människor, som arbetar på apparaten, har tillgång till relevant information och är instruerad om arbetet på apparaten.

2.4 Den här anvisningens betydelse

Nonchalering av anvisningen kan leda till allvarliga konsekvenser, t.ex. fara för personer på grund av elektrisk, mekanisk eller kemisk påverkan.

- ▶ Innan alla arbeten på apparaten, läs noga igenom hela bruksanvisningen.
- ▶ Vid förlust av bruksanvisningen ska en ny bruksanvisning begäras eller aktuell sådan laddas ner från Sartorius hemsida (www.sartorius.com).
- ▶ Informationen får anvisningen måste finnas tillgänglig för alla människor som arbetar på apparaten.

2.5 Apparatsens soliditet

En skadad apparat kan leda till felfunktioner eller faror som är svåra att identifiera.

- ▶ Använd endast apparaten i säkerhetstekniskt felfritt tillstånd.
- ▶ Koppla omedelbart från skadad enhet.
- ▶ Låt Sartorius service omedelbart åtgärda skadorna.

2.6 Arbeta på maskinens elektriska delar

Alla arbeten eller ändringar på maskinens elektriska utrustning får bara utföras av Sartorius service. Apparaten får endast öppnas av Sartorius service.

M

Förseglingsmärke på kalibrerade varianter

Lagstiftningen kräver en försegling av de kalibrerade vågarna. Dessa förseglingar görs med hjälp av klistermärken med »Sartorius«-logo. Om de tas bort upphör kalibreringens giltighet och vågen måste kalibreras om. För kalibrerade vågar som ska användas inom EES gäller försäkran om överensstämmelse som har utfärdats för, och bifogats med, den kalibrerade vågen. Ska ovillkorligen bevaras.

2.7 Personlig skyddsutrustning

Den personliga skyddsutrustningen skyddar mot faror från materialet som ska bearbetas.

- ▶ Om en personlig skyddsutrustning krävs i arbetsområdet, eller processen som apparaten används i: Bär den personliga skyddsutrustningen.

2.8 Säkerhetsanvisningar till apparatsens drift

- Se till att inte skada glasytan på operatörsskärmen (t.ex. genom fallande föremål, slag eller starkt tryck). Om glasskivan skadas måste enheten omedelbart kopplas bort från elnätet.

- Operatörsskärmen får inte beröras med spetsiga, vassa, hårda eller sträva föremål, utan uteslutande med en för det avsedd touchpenna eller med fingertoppen. För rengöring får under inga omständigheter delar av kläder (t.ex. jackärmarna) eller svampar användas, då dessa kan skrapa ytan (t.ex. genom nitar eller knappar på jackärmarna eller sand i svampen).
- Undvik elektrostatisk uppladdning på operatörsskärmen glasskiva och plastkåpan.



Skaderisk för vågen!

Förslut aldrig färgdosan med en hammare, så länge denna står på vågskålen. Ställ färgdosan som ska förslutas på ett fast och stabilt underlag.

3 Installation

3.1 Leveransomfång

Modell	PMA.Evolution	PMA.HD
Vågskål stor: Ø 233 mm	x	–
Vågskål liten: Ø 180 mm	–	x
USB-kabel	x	x
Ex-Link-konverter	x	x
Potentialutjämningskabel	x	x
Link-kabel från konverter till vågen	x	x
Installationsanvisning	x	x

3.2 Uppackning

Förfarande

- ▶ Öppna förpackningen och ta försiktigt ut alla delar.
- ▶ Kontrollera enheten så fort den har packats upp avseende yttre skador.
- ▶ Om apparaten ska mellanlagras: Lagra apparaten enligt omgivningsvillkoren (Miljöförhållanden, se Kapitel "8.1 Allmänna uppgifter", sida 51).
- ▶ Spara alla delar i originalförpackningen för en eventuell returtransport. Låt inga kablar vara ikopplade under sändning!

3.3 Välj installationsplats

Välj riktig uppställningsplats:

- Ställ enheten på en stabil, vibrationsfri och vågrät yta.
- Håll alltid tillgången till enheten fri.
- Enheterna ska behandlas noga i enlighet med IP-skyddet. Omgivningen måste säkras därefter.

- Vid användning i anläggningar och omgivningsförhållanden med höjda säkerhetskrav ska landets villkor och bestämmelser följas.

Undvik ogynnsam påverkan på installationsplatsen:

- värme (värmeelement, solljus)
- direkt luftdrag genom öppet fönster, klimatanläggningar och dörrar
- vibrationer under mätningen
- persongenomgångstrafik
- extremt hög luftfuktighet
- elektromagnetiska fält
- extremt torr luft

Acklimatisering

Om en kall enhet förflyttas till en varm omgivning kan detta leda till kondensering av luftfuktighet (daggbildning).

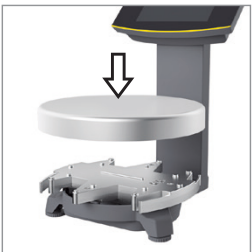
Acklimatisera då den från nätet bortkopplade apparaten i ca 2 timmar innan du ansluter den till strömförsörjningen igen.

3.4 Montera vågen

OBS

För alla monteringsarbeten måste apparaten vara bortkopplad från strömförsörjningen.

3.4.1 Montera vågskålen

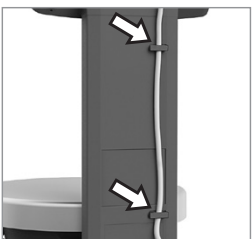


- ▶ Sätt vågskålen på vågen uppifrån.

3.4.2 Anslut vågen



- ▶ Stick i stickproppen på Link-kabeln på baksidan av displayen i RJ-45-dosan.



- ▶ Lägg Link-kabeln (blå) genom kabelhållaren på vågens baksida.



- ▶ Anslut Link-kabeln på Ex-Link-konvertern.

3.5 Anslut jordningen

Nödvändig kvalifikation: Kvalificerad elektriker

Montera den explosionsskyddade anläggningen enligt teknikens gällande regler. Därvid ska motsvarande nationella lagar/föreskrifter följas.

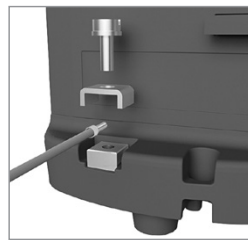
Innan vågen tas i bruk måste en elektriker, eller en person under elektrikers ledning och överinseende, kontrollera att den fungerar som den ska.

Kontrollera om ansvariga myndigheter (till exempel arbetarskyddsstyrelsen) behöver informeras. Anläggningen behöver även kontrolleras under drift.

Tidpunkterna för detta bör beräknas så att eventuella brister, som förr eller senare uppstår, upptäcks i god tid. Kontroller ska utföras minst vart tredje år. Under drift ska motsvarande villkor och riktlinjer uppfyllas.

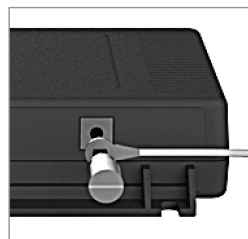
Innan anläggningen tas i bruk första gången måste det säkerställas att det inte finns någon explosionsrisk i området. Om det skulle uppstå avvikelser till följd av transportskador vid första idrifttagandet (t.ex. ingen visning, ingen bakgrundsbelysning), koppla bort vågen från elnätet och kontakta Sartorius Service.

Installationen måste utföras av en behörig elektriker enligt föreskrifterna och välbeprövade tekniska regler.



Förbind vågen med en potentialutjämningskabel på minst 4 mm² tvärsnitt med potentialutjämnningen.

- ▶ Anslut kabelskon på potentialutjämningskabeln till jordklämma på vågen.
- ▶ Anslut potentialutjämningskabeln till potentialutjämnningen på kundens sida.



Förbind Ex-Link-konvertern med ytterligare en potentialutjämningskabel på minst 4 mm² tvärsnitt med potentialutjämnningen.

- ▶ Anslut kabelskon på potentialutjämningskabeln till jordklämma på Ex-Link-konvertern.
- ▶ Anslut potentialutjämningskabeln till potentialutjämnningen på kundens sida.

3.6 Upprätta spänningsförsörjning

Nödvändig kvalifikation: Kvalificerad elektriker

Vågens strömförsörjning sker över en dator/notebook eller genom den extra nätenheten YEPS01-USB (se Kapitel "6 Tillbehör", sida 50), som levereras med olika landspecifika nätadapterar.

OBS

- Spänningsvärdet på nätenheten måste överensstämma med den lokala nätspänningen (anslutningsdata, se kapitel "8.1 Allmänna uppgifter", sidan 51).
- Om angiven nätspänning eller stickproppsmodell på nätenheten inte motsvarar tillämplad landstandard, vänligen meddela närmaste Sartorius-representant.

Spänningsförsörjningen genom strömförsörjningsdon är endast nödvändig:

- om ingen dator eller notebook finns tillgänglig.
- i de undantagsfall då utgångsspänningen för USB-gränssnittet på datorn eller notebooken inte är tillräcklig.

Monteringen av nätenheten beskrivs nedan.

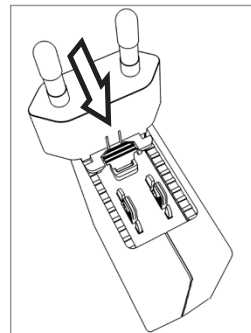
3.6.1 Montera nätenheten

- ▶ **⚠ VARNING** Dödsolyckor och allvarliga skador på grund av olämpliga underlag! Använd endast landsspecifika nätadapterar. Stick aldrig in nätadaptern i uttaget när den är fränkopplad från nätenheten.
- ▶ Välj en nätadapter som passar för ditt elnät: Nätadaptern måste vara avsedd för uttaget på installationsplatsen.

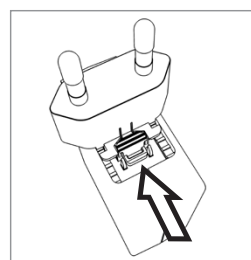
Nätadapterset

Påse	Region/land
YEPS01-PS1	– USA och Japan (US+JP) – Europa (EU) – Storbritannien (GB)
YEPS01-PS6	– Argentina (AR) – Brasilien (BR) – Australien (AU) – Sydafrika (ZA)

Påse	Region/land
YEPS01-PS7	– Kina (CN) – Indien (IN) – Korea (KR)

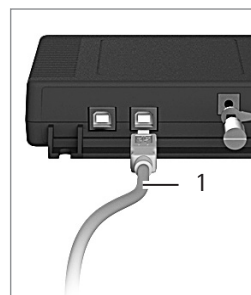


- ▶ Skjut in nätadaptern i nätenhetens upptagning. Den räfflade knappen måste peka framåt.
- ▶ Skjut in nätadaptern så långt det går, tills det hörs att den går i lås.
- ▶ Kontrollera att nätadaptern är låst. Dra nätadaptern lätt bakåt.
- ▶ Om nätadaptern inte går att förskjutas: Nätadaptern är låst.



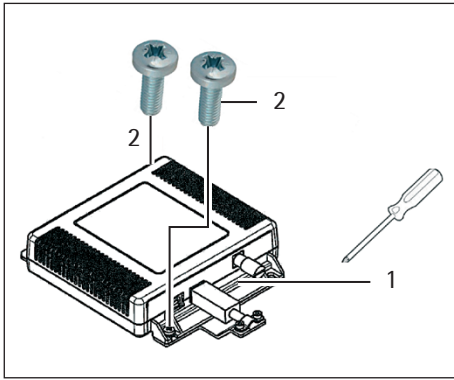
Demontera/byta nätadapter

- ▶ Tryck på den räfflade knappen ovanifrån och skjut nätadaptern bakåt.
- ▶ Skjut ut nätadaptern ur nätenheten och ta ut den.

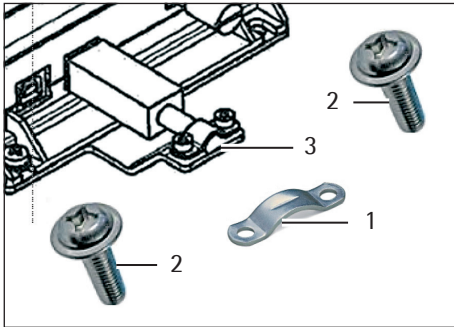


Anslutning till persondator/notebook

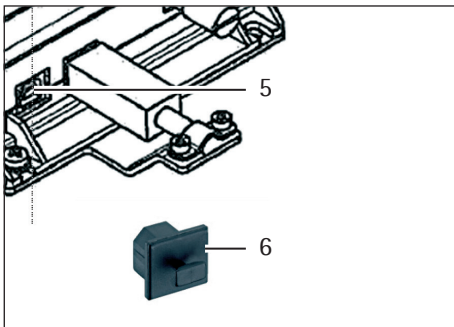
- ▶ Stick i en USB-kabel (1) i den högra dosan på Ex-Link-konvertern och förbind kabeln med en persondator eller notebook. Vid användning och installation av Ex-Link-konvertern YC014-Y i explosionsfarligt område i zon 2 eller division 2 och om USB-kabeln (1) inte har en egensäker strömkrets måste kabeln säkras så att den inte kan dras ut. Se Control Drawing 2021459 och Safety Instructions 2023040 från Sidan 53 samt följande bilder.



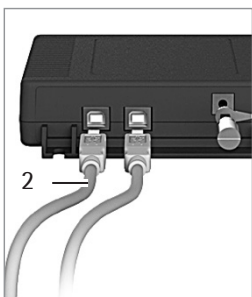
- ▶ Sätt fast dragavlastningen YSR01 med de båda skruvarna (2) på konvertern (1).



- ▶ Fixera USB-kabeln med klämman (3) och de båda skruvarna (4) på dragavlastningen (1).



- ▶ Förslut den vänstra USB-anslutningen (5) med skyddskåpan (6).



Anslutning på nätenheten (tillval); inte på YC014-Y om denna är installerad i explosionsfarligt område i zon 2 eller division 2

- ▶ Stick i ytterligare en USB-kabel (2) i Ex-Link-konvertern.
- ▶ Stick i USB-kabeln i nätenheten YEPS01-USB.
- ▶ Stick i nätenheten i en stickdosa (nätspänning).

3.7 Stölskydd



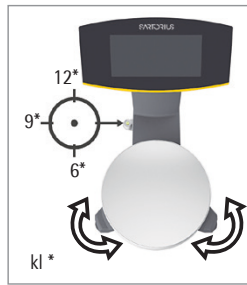
- ▶ Säkra vågen vid behov på baksidan.

3.8 Nivellering

Nivellering på modell PMA.HD och kalibrerade modeller

Med nivelleringen av vågen kan lutningar på installationsplatsen utjämnas. En exakt, vågrät ställning av vågen garanterar precisa vägningsresultat.

Vågen måste efter varje byte av installationsplats nivelleras på nytt och sedan eventuellt justeras.



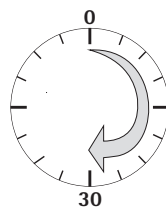
- ▶ Vrid de båda fotskruvarna enligt figuren tills vattenpassets luftblåsa befinner sig i cirkelns mitt.
 - Luftblåsa vid »kl 12«: vrid båda fotskruvarna medurs.
 - Luftblåsa vid »kl 3«: vrid vänster fotskruv medurs, höger fotskruv moturs.
 - Luftblåsa vid »kl 6«: vrid båda fotskruvarna moturs.
 - Luftblåsa vid »kl 9«: vrid vänster fotskruv moturs, höger fotskruv medurs.

3.9 Förvärmningstid

M

Montering av kalibrerade vågar i kalibreringspliktig handel:

Låt vågen värmas upp i minst 24 timmar efter anslutning till strömnätet.



För att kunna visa exakta resultat måste vågen värmas upp i minst 30 minuter efter anslutning till strömförsörjningen. Först då har enheten uppnått den nödvändiga drifttemperaturen.

4 Rengöring och underhåll

4.1 Rengör

Innan rengöring av nätenheten, Ex-Link-konvertern eller vågen: Koppla ifrån alla enheter.

VARNING Fara för elektrisk spänning!

Koppla från befintlig nätenhet (tillval) från nätet. Dra ur eventuell ansluten datakabel på Ex-Link-konvertern. Öppna aldrig vågen eller nätenheten. Dessa innehåller inga enhetsdelar som kan rengöras, repareras eller bytas ut av användaren.

OBS

Rengör följande delar med aceton eller aggressiva rengöringsmedel:

- Nätkontaktens ingång
- Datagränssnitt
- Skyltar samt alla övriga plastdelar

Förfarande

- ▶ Separera apparaten från nätspänningen.
- ▶ **OBS** Se till att det inte kommer in någon vätska eller damm i vågen eller nätenheten.
- ▶ **OBS** Korrosion och skador på apparaten genom olämpligt rengöringsmedel!
 - ▶ Använd **inga** frätande, kloridhaltiga och aggressiva rengöringsmedel.
 - ▶ Använd **inga** rengöringsmedel som innehåller slipande komponenter, t.ex. skurmedel, stålull.
 - ▶ Använd endast mjuka borstar och tvättlappar för rengöring.
 - ▶ Använd **inga** lösningsmedelhaltiga rengöringsmedel.

Rengör manöverpanelen

- ▶ Innan manöverpanelen rengörs: Koppla ifrån apparaten då beröringen annars kan leda till ofrivilliga inmatningar.

Rengör enhetens kåpa

- ▶ Torka av huset med en lätt fuktad rengöringsduk. Använd en mild tvällösning för grövre smuts.
- ▶ Torka sedan av apparaten med en mjuk trasa.

4.2 Underhåll

För att garantera fortsatt mätsäkerhet hos din våg rekommenderar vi regelbundet underhåll, minst en gång om året. Sartorius Service erbjuder dig olika underhållsavtal, som vi anpassar individuellt efter dina behov.

Inom ramen för varje underhåll bör alltid ett kalibreringscertifikat utarbetas. Låt en elektriker genomföra regelbundna säkerhetstekniska kontroller av nätenheten och dess anslutningar (t.ex. vartannat år).

5 Avfallshantering

5.1 Upplysningar om dekontaminering

Enligt EU-riktlinjen för den europeiska förordningen om farliga ämnen är apparatens ägare, som kommer i kontakt med farligt material, ansvarig för ändamålsenlig kassering och deklaration under transporten.

VARNING

Skaderisk genom kontaminerad apparat!

Enheter som kontaminerats med farligt material (ABC-kontaminering) tas inte tillbaka vare sig för reparation eller för avfallshantering.

5.1.1 Upplysningar om avfallshantering

Enheten och dess tillbehör och tomma batterier får **inte** bortskaffas med det vanliga hushållsavfallet, då de är tillverkade av högkvalitativa material som kan återvinnas och återanvändas. Alla delar måste kasseras på ett korrekt sätt via avfallsanläggningar.

Förpackningen är tillverkad av miljövänliga material som kan återvinnas som returråvara.

5.1.2 Avfallshandera

Förutsättningar

Apparaten är dekontaminerad.

Förfarande

- ▶ Kassera apparaten. Beakta då instruktionerna för avfallshandlingen på vår hemsida (www.sartorius.com).
- ▶ Kassera förpackningen enligt landets bestämmelser.

6 Tillbehör

Tillbehör	Beställningsnummer
Nätenhet (5,2 V/1,4 A)	YEPS01-USB
USB-kabel, 5 m	YCC01-0040M5
Nätadapterset för YEPS01-USB	YEPS01-PS1
– USA och Japan (US+JP)	
– Europa (EU)	
– Storbritannien (GB)	
Nätadapterset för YEPS01-USB	YEPS01-PS6
– Argentina (AR)	
– Brasilien (BR)	
– Australien (AU)	
– Sydafrika (ZA)	
Nätadapterset för YEPS01-USB	YEPS01-PS7
– Kina (CN)	
– Indien (IN)	
– Korea (KR)	
Ex-Link-konverter	YC014-Y
Ex-Link-konverter	YC014-Z
Link-kabel	
från konvertern till vågen, 10 m	YCC01-0052M10
från konvertern till vågen, 20 m	YCC01-0052M20
från konvertern till vågen, 30 m	YCC01-0052M30
Dragavlastning	YSR01
Potentialutjämningskabel, 2 m	YCC01-X046M2
Dammskydd	
för manöverpanel, 10-pack	YDC03PMA10
för stativ, PMA.Evolution, 10-pack	YDC03PMA-C010
för vågskål, PMA.Evolution, 10-pack	YDC03PMA-WP10
Justervikt	
för PMA.Evolution:	
– 5 kg, noggrannhetsklass F2	YCW654-AC-00
– 2 kg, noggrannhetsklass F2	YCW624-AC-00
– 1 kg, noggrannhetsklass F2	YCW614-AC-00
för PMA.HD:	
– 2 kg, noggrannhetsklass F1	YCW623-AC-00
– 1 kg, noggrannhetsklass F1	YCW613-AC-00

7 Kodning av serienummer



Apparatens tillverkningsdatum finns kodat i serienumret. Strukturen ser ut på följande sätt:

ÅMM x x x x x	
Å	År
3	2014-2020
4	2021-2027
5	2028-2034 osv.

Kolumnen för år, Å, står för årsgruppnummer. Varje årsgruppnummer omfattar 7 år. I varje årsgrupp läggs exponenten 13 till månaderna (M M).

År:	2018	2019	2020	2021	2022	...
MM:	61-72	73-84	85-96	13-24	25-36	...

Exempel:
388xxxxx (April 2020). "xxxxx" är ett löpande nummer. Varje månad börjar med 1 och ökar löpande.

8 Tekniska data

8.1 Allmänna uppgifter

Uppgift	Enhet	Värde
Våg		
Strömförsörjning		endast över USB-gränssnitt eller Sartorius nätenhet YEPS01-USB
Ingångsspänning	V_{DC}	+4,5 till 5,0
Effektupptagning	W	2,0 (typisk)
Vidare uppgifter		IP40 enligt EN 60529/IEC 60529
Omgivningsvillkor		
Tekniska data gäller vid följande omgivningsvillkor:		
Omgivning		Användning endast inomhus
Omgivningstemperatur*	°C	0 till +40
Funktionsduglighet	°C	Garanteras mellan +15 till +30
Lagring och transport	°C	-10 till +60
Relativ luftfuktighet	%	Upp till 80 % för temperaturer upp till 30°C icke-kondenserande, linjärt avtagande upp till 50 % relativ luftfuktighet vid 40°C
Gränssnittsanslutning Ex-Link-konverter		USB, typ B
Elektromagnetisk säkerhet		enligt EN 61326-1/IEC61326-1 elektriska mät-, styr-, regler- och laboratorieapparater – EMV-krav– del 1: Allmänna krav
Störtålighet		Grundläggande krav
Störsignaler		Klass B Lämplig för användning i bostadsområden och områden som är direkt anslutna till ett lågspänningsnät, som (även) försörjer bostadshus.
	M	Kalibrerade vågar i EU motsvarar kraven i EG-riktlinjen 2014/31/EU med EN45501:2015 resp. OIML R76:2006.
		* Se uppgifterna på vågen för vågar som är kalibrerade enligt EU. ** Lagstadgade föreskrifter gäller för vågar som har kalibrerats i enlighet med EU.
Valbara användningsprogram		Omberäkning, faktorberäkning, receptur
Nätenhet YEPS01-USB		
USB-kontaktändel		Typ FSP007-P01P (tillverkarbeteckning)
Primär		100 – 240 V~, ±10 %, 50 – 60 Hz, ±5 %, ≤ 0,2 A
Sekundär		5,2 V_{DC} ± 5 %, 1,4 A (max.)
Vidare uppgifter		Skyddsklass II IP40 enligt EN 60529/IEC 60529
Ex-Link-konverter YC014-Y YC014-Z		
Vidare uppgifter		IP40 enligt EN 60529/IEC 60529

8.2 Modellspecifika data

Modell

Uppgift	Enhet	Värde	Värde
		PMA Evolution	PMA HD
		EVO1X	LAB1X
Vågområde	g	7 500/999,95	2 200
Avläsningsbarhet	g	0,1/0,05	0,01/0,1
Tareringsområde (subtraktivt)	g	-7 500	-2 200
Externt justerviktsvärde/noggrannhetsklass	kg	1, 2, 5/F2 eller bättre	1, 2/F1 eller bättre
Vågskålens diameter	mm	233	180
Nettovikt	kg	2,4	2,3

8.3 Kalibrerade modeller med EG-konstruktionsgodkännande: Modellspecifik teknisk data

Uppgift	Enhet	Värde
Modell		PMA Evolution, EVO1X..EU..
Noggrannhetsklass		II
Konstruktion		PMA-EV
Max vägningsintervall	g	7 500
Siffersteg d	g	0,1
Kalibreringsvärde e	g	1
Temperaturområde		+10°C – +30°C
Tareringutjämningsområde (subtraktivt)		≤ 100 % från maximal vägningsintervall

Uppgift	Enhet	Värde
Modell		PMA HD, LAB1X..EU..
Noggrannhetsklass		III
Konstruktion		PMA-HD
Max vägningsintervall	g	2 200
Siffersteg d	g	1
Kalibreringsvärde e	g	1
Temperaturområde		+10°C – +40°C
Tareringutjämningsområde (subtraktivt)		≤ 100 % från maximal vägningsintervall

9 EU-försäkran om överensstämmelse

Med bifogad försäkran om överensstämmelse förklaras att apparaten överensstämmer med nämnda riktlinjer. För kalibrerade vågar som ska användas inom EES gäller försäkran om överensstämmelse som har bifogats med vågen. Ska ovillkorligen bevaras.



Original

SARTORIUS

EU-Konformitätserklärung EU Declaration of Conformity

Hersteller Sartorius Lab Instruments GmbH & Co. KG
Manufacturer 37070 Goettingen, Germany

erklärt in alleiniger Verantwortung, dass das Betriebsmittel
declares under sole responsibility that the equipment

Geräteart Farbmischwaage | Ex-Link Konverter
Device type Paint mixing scale | Ex-link converter

Modell EVO1Xa, EVO1Xa-de, EVO1XaNbc-de, LAB1Xa, LAB1XaNb | YCO14-Y
Model a,b = 1,2,3 oder/or 4; c = EU, RU oder/or leer/blank; d = C,V oder/or CV; e = 1,2,3 oder/or leer/blank

in der von uns in Verkehr gebrachten Ausführung allen einschlägigen Harmonisierungsrechtsvorschriften der Union entspricht und die anwendbaren Anforderungen folgender einschlägigen harmonisierter Europäischer Normen einschließlich deren zum Zeitpunkt der Erklärung geltenden Änderungen erfüllt:

in the form as delivered fulfils all the relevant provisions of the following Union harmonisation legislation and meets the applicable requirements of the relevant harmonized European Standards including any amendments valid at the time this declaration was signed listed below:

Richtlinie Directive	EMV / EMC 2014/30/EU	RoHS 2011/65/EU	ATEX 2014/34/EU
Norm(en) Standard(s)	EN 61326-1:2013	EN 50581:2012	EN IEC 60079-0:2018 EN 60079-7:2015 EN 60079-11:2012

EG-Baumusterprüfbescheinigung, Nummer FM14ATEX0085X (EVO1X, LAB1X)
EC-Type Examination Certificate, number FM16ATEX0029X (YCO14-Y)

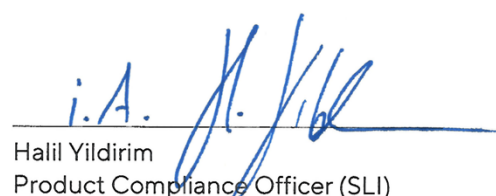
Anerkennung der Qualitätssicherung (Produktion) FM19ATEXQ0122
Quality Assurance Notification (production)

Die Person, die bevollmächtigt ist, die technischen Unterlagen zusammenzustellen:
The person authorised to compile the technical file:

Sartorius Lab Instruments GmbH & Co. KG
Electronics & Product Compliance
37070 Goettingen, Germany

Sartorius Lab Instruments GmbH & Co. KG
Goettingen, 2021-06-25


Dr. Reinhard Baumfalk
Head of Product Development (LPS)


Halil Yildirim
Product Compliance Officer (SLI)



Traduction du document original

SARTORIUS

Déclaration de conformité UE

Fabricant Sartorius Lab Instruments GmbH & Co. KG
37070 Goettingen, Allemagne
déclare sous sa seule responsabilité que l'appareil

Type d'appareil Balance pour peintures | Convertisseur de jonction antidéflagrant

Modèle **EVO1Xa, EVO1Xa-de, EVO1XaNbc-de, LAB1Xa, LAB1XaNb | YCO14-Y**
a,b = 1,2,3 ou 4 ; c = EU, RU ou néant ; d = C,V ou CV ; e = 1,2,3 ou néant
dans la version que nous avons mise sur le marché, est conforme à toutes les législations d'harmonisation pertinentes de l'Union européenne et répond aux exigences applicables des normes européennes harmonisées pertinentes suivantes y compris aux amendements en vigueur au moment de cette déclaration :

	CEM	RoHS	ATEX
Directive	2014/30/UE	2011/65/UE	2014/34/UE
Norme(s)	EN 61326-1:2013	EN 50581:2012	EN IEC 60079-0:2018 EN 60079-7:2015 EN 60079-11:2012

Numéro du certificat d'examen CE de type FM14ATEX0085X (EVO1X, LAB1X)
FM16ATEX0029X (YCO14-Y)

Reconnaissance de l'assurance de la qualité (production) FM19ATEXQ0122

La personne autorisée à compiler la documentation technique :
Sartorius Lab Instruments GmbH & Co. KG
Electronics & Product Compliance
37070 Goettingen, Allemagne

Sartorius Lab Instruments GmbH & Co. KG
Goettingen, 25/06/2021

Dr. Reinhard Baumfalk
Head of Product Development (LPS)

Halil Yildirim
Product Compliance Officer (SLI)



Traducción del original

SARTORIUS

Declaración de conformidad UE

Fabricante Sartorius Lab Instruments GmbH & Co. KG
37070 Goettingen, Alemania
declara bajo su sola responsabilidad que el equipo

Tipo de aparato Balanza para la mezcla de pintura | Convertidor Ex-Link

Modelo **EVO1Xa, EVO1Xa-de, EVO1XaNbc-de, LAB1Xa, LAB1XaNb | YCO14-Y**
a,b = 1,2,3 o 4; c = EU, RU o en blanco; d = C,V o CV; e = 1,2,3 o en blanco
en la variante comercializada por nosotros cumple todas las regulaciones de armonización relevantes de la Unión y los requisitos aplicables de las siguientes Normas Armonizadas Europeas pertinentes (incluidas las modificaciones vigentes en el momento de la declaración):

	CEM	RUSP	ATEX
Directriz	2014/30/UE	2011/65/UE	2014/34/UE
Norma(s)	EN 61326-1:2013	EN 50581:2012	EN IEC 60079-0:2018 EN 60079-7:2015 EN 60079-11:2012

Certificado de examen CE, Número FM14ATEX0085X (EVO1X, LAB1X)
FM16ATEX0029X (YCO14-Y)

Reconocimiento del aseguramiento de la calidad (Producción) FM19ATEXQ0122

Persona facultada para elaborar el expediente técnico:
Sartorius Lab Instruments GmbH & Co. KG
Electronics & Product Compliance
37070 Goettingen, Alemania

Sartorius Lab Instruments GmbH & Co. KG
Goettingen, 25/06/2021

Dr. Reinhard Baumfalk
Head of Product Development (LPS)

Halil Yildirim
Product Compliance Officer (SLI)



Översättning av originalet

SARTORIUS

EU-försäkran om överensstämmelse

Tillverkare Sartorius Lab Instruments GmbH & Co. KG
37070 Göttingen, Germany
försäkrar på eget ansvar att arbetsutrustningen

Enhetstyp Färgtillblandningsvåg | Ex-Link-konverter

Modell **EVO1Xa, EVO1Xa-de, EVO1XaNbc-de, LAB1Xa, LAB1XaNb | YCO14-Y**
a,b = 1,2,3 eller 4; c = EU, RU eller tom; d = C,V eller CV; e = 1,2,3 eller tom
som vi har infört på marknaden följer alla relevanta harmoniserade unionslagstiftningar och uppfyller de tillämpliga kraven i följande harmoniserade europeiska standarder inklusive ändringar som gäller vid tidpunkten för förklaringen:

	EMC	RoHS	ATEX
Direktiv	2014/30/EU	2011/65/EU	2014/34/EU
Standard(er)	EN 61326-1:2013	EN 50581:2012	EN IEC 60079-0:2018 EN 60079-7:2015 EN 60079-11:2012

Intyg om EG-typkontroll, nummer FM14ATEX0085X (EVO1X, LAB1X)
FM16ATEX0029X (YCO14-Y)

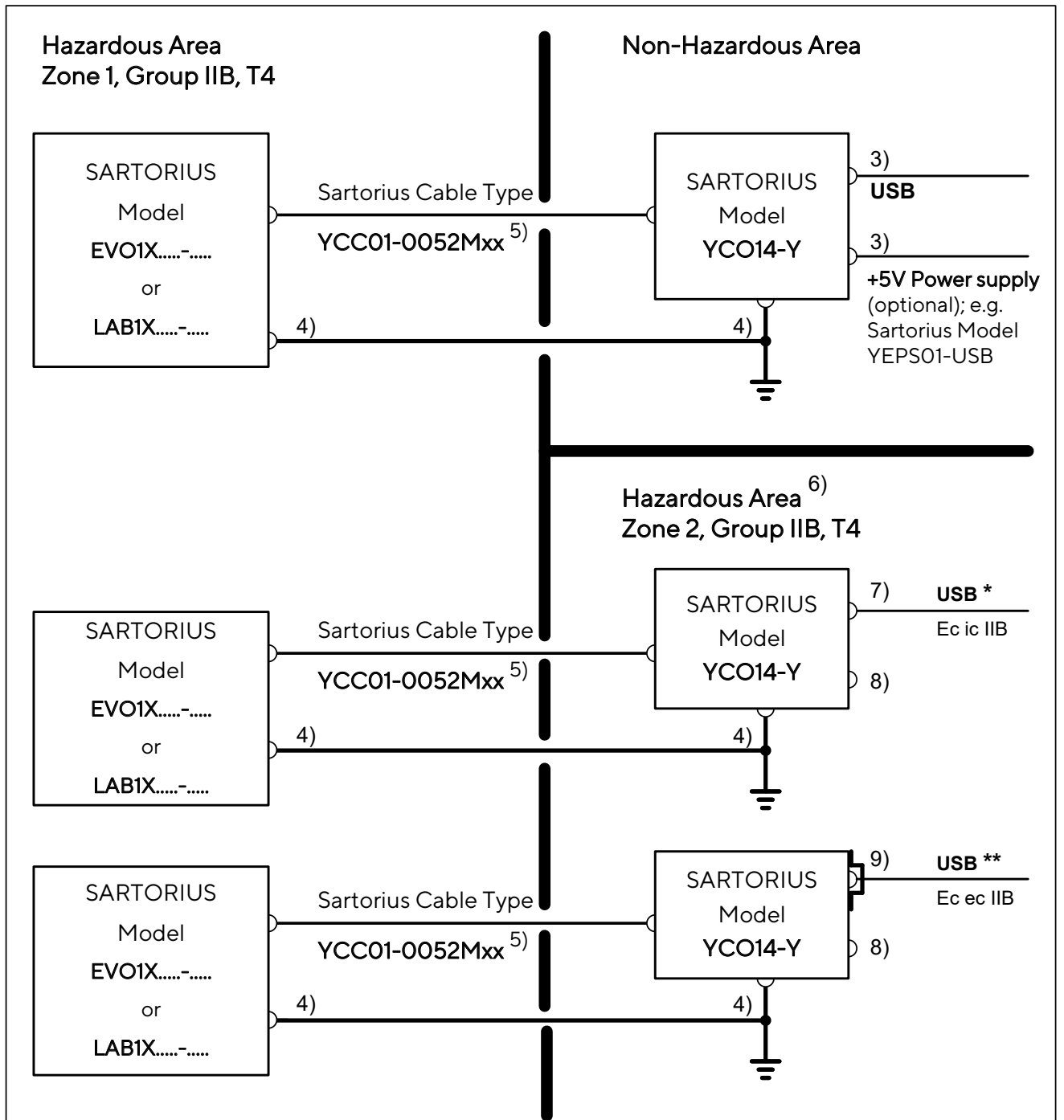
Erkännande av kvalitetssäkringen (produktion) FM19ATEXQ0122

Befullmäktigad person för sammanställningen av de tekniska dokumenten:
Sartorius Lab Instruments GmbH & Co. KG
Electronics & Product Compliance
37070 Göttingen, Tyskland

Sartorius Lab Instruments GmbH & Co. KG
Göttingen, 2021-06-25

Dr. Reinhard Baumfalk
Head of Product Development (LPS)

Halil Yildirim
Product Compliance Officer (SLI)



Company name	Sartorius Lab Instruments GmbH & Co. KG		
Company address	Otto-Brenner Straße 20 37079 Göttingen Germany		
ATEX Certificate	FM14ATEX0085X (EVO1X/LAB1X) FM16ATEX0029X (YCO14-Y)		
UKEX Certificate	FM21UKEX0075X (EVO1X/LAB1X) FM21UKEX0076X (YCO14-Y)		
IECEX Certificate	IECEX FME 14.0008X		
Markings	II 2 G Ex ib IIB T4 Gb	0°C ≤ Ta ≤ 40°C (EVO1X/LAB1X)	
*	II 3 (2)G Ex ic ec [ib Gb] IIB T4 Gc	0°C ≤ Ta ≤ 40°C (YCO14-Y)	
**	II 3 (2)G Ex ec [ib Gb] IIB T4 Gc	0°C ≤ Ta ≤ 40°C (YCO14-Y)	

	2021-04-28	SARTORIUS	Safety Instructions		EVO1X.....-..... / LAB1X.....-..... YCO14-Y
	Dr. D. Klausgrete		2023040	Revision 03	Sheet 1 of 3


Specific conditions of use

A. PMA.Evolution and YCO14-Y Ex-Link Converter

- 1) The enclosures of the PMA.Evolution and of the YCO14-Y Ex-Link Converter are non-conducting and may generate an ignition-capable level of electrostatic charges under certain extreme conditions. The user shall ensure that the equipment is not installed in a location it where may be subjected to external conditions that might cause a build-up of electrostatic charges on non-conducting surfaces, additionally; cleaning of the equipment should be done only with a damp cloth.
- 5) The PMA.Evolution shall only be used with the YCO14-Y Ex-Link Converter and vice versa. The CAT6 cable used between the PMA.Evolution and the YCO14-Y Ex-Link Converter shall be obtained from Sartorius: Cable type YCC01-0052Mxx (XX = 10 for 10m, 20 for 20m; 30 for 30m); maximum cable length: 100ft (30.5m). The data cable connected to the scale (weighing unit) is considered as intrinsically safe circuit. Check the correct function of the data transfer before you use the equipment in a hazardous location. The equipment operator is responsible for any non-Sartorius cables used.


B. YCO14-Y Ex-Link Converter

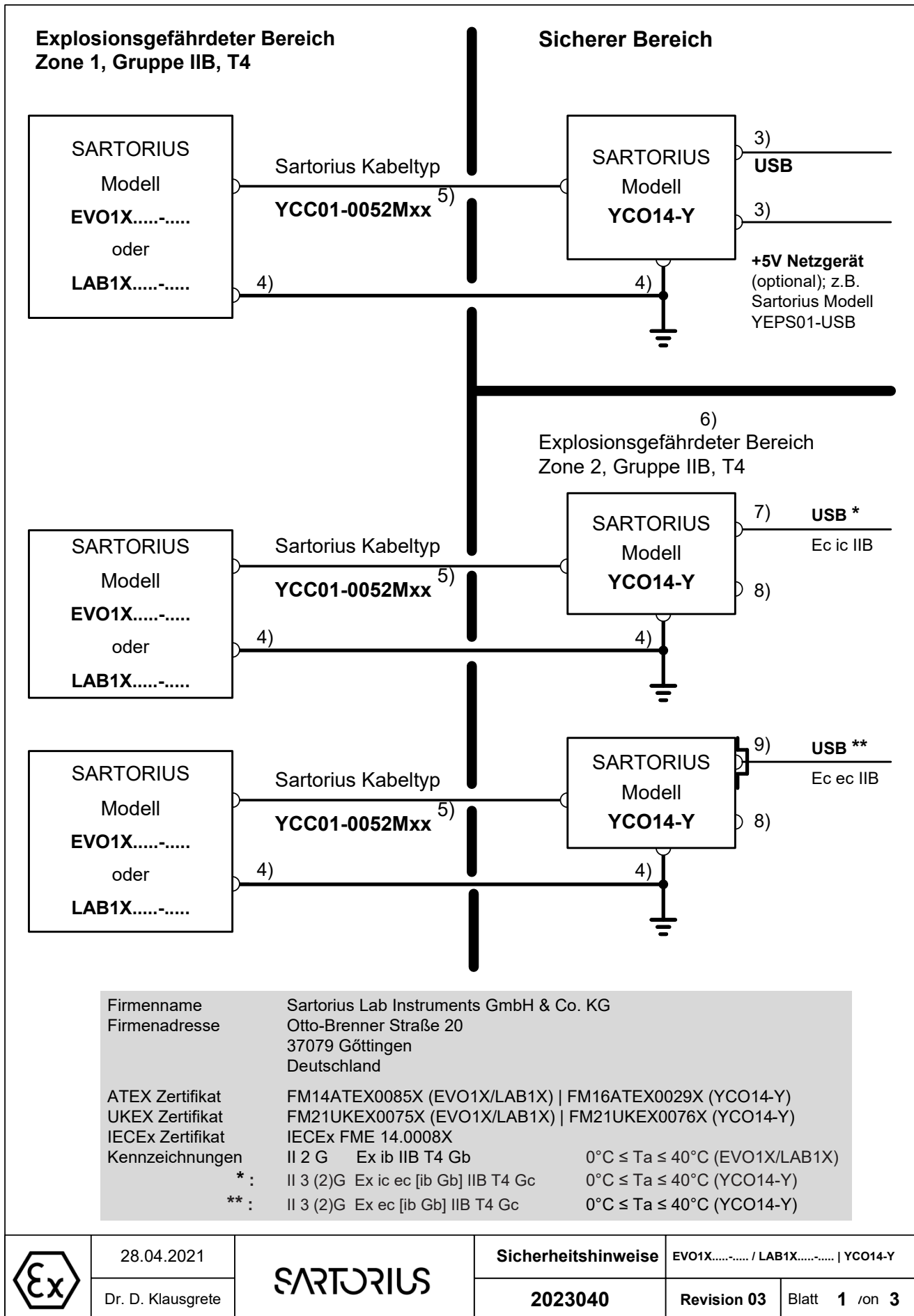
- 4) The protective ground connectors on the PMA.Evolution and the YCO14-Y Ex-Link Converter shall be connected together using a potential equalisation conductor (PE) with a cross-sectional area of $\geq 4\text{mm}^2$. The low resistance of this connection to the PE bus bar must be checked when the system is installed at the intended place of use. The shielding of the connecting cables may only be used for grounding when no impermissible difference in voltage is generated and, if necessary, the shielding is able to conduct the equipotential current.
- 6) If the Ex-Link Converter YCO14-Y is installed in Zone 2, the installation must be done in such a way that the pollution degree 2 of the YCO04-Y board is guaranteed.
- 8) In Zone 2 the „USB Power“ port may not be used.
- 9) If the cable contains no Ex ic circuits, the cable must be protected against unintended release by use of Sartorius „Strain Relief for USB Cord“ type **YSR01**.
- 10) The equipment shall be installed in such a way that it is protected against UV radiation and the entry of solid foreign objects or water capable of impairing the safety of the apparatus. Reduce the risk of mechanical damage to a minimum.

	2021-04-28	SARTORIUS	Safety Instructions		EVO1X.....-..... / LAB1X.....-..... YCO14-Y
	Dr. D. Klausgrete		2023040	Revision 03	Sheet 2 of 3

C. General

- 2) Install the equipment in compliance with applicable laws, rules and regulations, ordinances and standards. Be sure to follow the installation, operating, maintenance and servicing instructions given in the manuals supplied.
- 3) No connection to any device that uses or generates in excess of 250Vrms or 250Vdc.
- 7) If the Ex-Link Converter YCO14-Y is installed in Zone 2, it must be connected via an USB cable to a apparatus with intrinsically safe (Ex ic) output. The input parameters of the YCO14-Y in type of protection Ex ic IIB are
 $U_i = 17.0V$, $I_i = 2.0A$, $P_i = \text{any}$, $C_i = 5.7\mu F$, $L_i = 0mH$ or $U_i = 16.0V$, $I_i = 2.5A$, $P_i = \text{any}$, $C_i = 5.7\mu F$, $L_i = 0mH$.
- 11) Avoid exposing the equipment to heat.
- 12) The connecting cable of the display unit must be prevented against damage and stress caused by strain.
- 13) If the equipment does not operate properly, unplug it immediately from line power (mains supply)!
- 14) The equipment operator shall be responsible for preventing any risks caused by static electricity.
- 15) Keep chemicals and other agents, which can corrode the housing seals and cable sheaths, away from the equipment. These agents include oil, grease, benzene, acetone and ozone. If you are not sure about the safety of a certain substance, please contact the manufacturer.
- 16) At reasonable intervals, have your equipment installation checked for proper functioning and safety by a trained and certified technician.
- 17) Prior to opening the equipment, disconnect the power supply or make sure that there is no potentially explosive atmosphere or any other explosion hazard in the surrounding area!
- 18) **WARNING: SUBSTITUTION OF COMPONENTS MAY IMPAIR INTRINSIC SAFETY.** If your equipment needs to be repaired, use only original spare parts supplied by the manufacturer!
- 19) Any tampering with the equipment by anyone, other than repair work done by authorized Sartorius service technicians, will result in the loss of EX conformity and in the forfeiture of all claims under the manufacturer's warranty. Only authorized specialists may open the equipment.
- 20) Modifications, including those to be carried out by Sartorius employees, may be permitted only after the express written authorization has been obtained from Sartorius.

	2021-04-28	SARTORIUS	Safety Instructions		EVO1X.....-..... / LAB1X.....-..... YCO14-Y
	Dr. D. Klausgrete		2023040	Revision 03	Sheet 3 of 3




Besondere Nutzungsbedingungen

A. PMA.Evolution und YCO14-Y Ex-Link Konverter

- 1) Die Gehäuse der PMA.Evolution und des YCO14-Y Ex-Link Konverters sind nicht leitend und können unter bestimmten extremen Bedingungen zu einem entzündbarem Niveau elektrostatisch aufgeladen werden. Der Benutzer des Gerätes hat sicherzustellen, dass das Gerät nicht an einem Ort installiert wird wo äußere Bedingungen zu einem Aufbau von statischer Elektrizität auf nicht-leitenden Oberflächen führen können. Das Gerät nur mit einem feuchten Tuch abwischen.
- 5) Die PMA.Evolution ist ausschließlich zur Benutzung mit dem YCO14-Y Ex-Link Konverter vorgesehen und umgekehrt. Das CAT6-Kabel zur Verbindung der PMA.Evolution und des YCO14-Y Ex-Link Konverters muss von Sartorius bezogen werden: Kabeltyp YCC01-0052Mxx (XX = 10 steht für 10 m, 20 für 20 m; 30 für 30 m); Maximale Kabellänge: 30,5 m (100 ft). Das an die Waage (Wägeeinheit) angeschlossene Datenkabel ist als eigensicherer Stromkreis zu betrachten. Bevor Sie das Gerät im explosionsgefährdeten Bereich einsetzen, überprüfen Sie bitte, ob die Datenübertragung richtig funktioniert. Die Verwendung von Kabeln anderer Hersteller als Sartorius erfolgt auf Verantwortung des Gerätebetreibers.


B. YCO14-Y Ex-Link Konverter

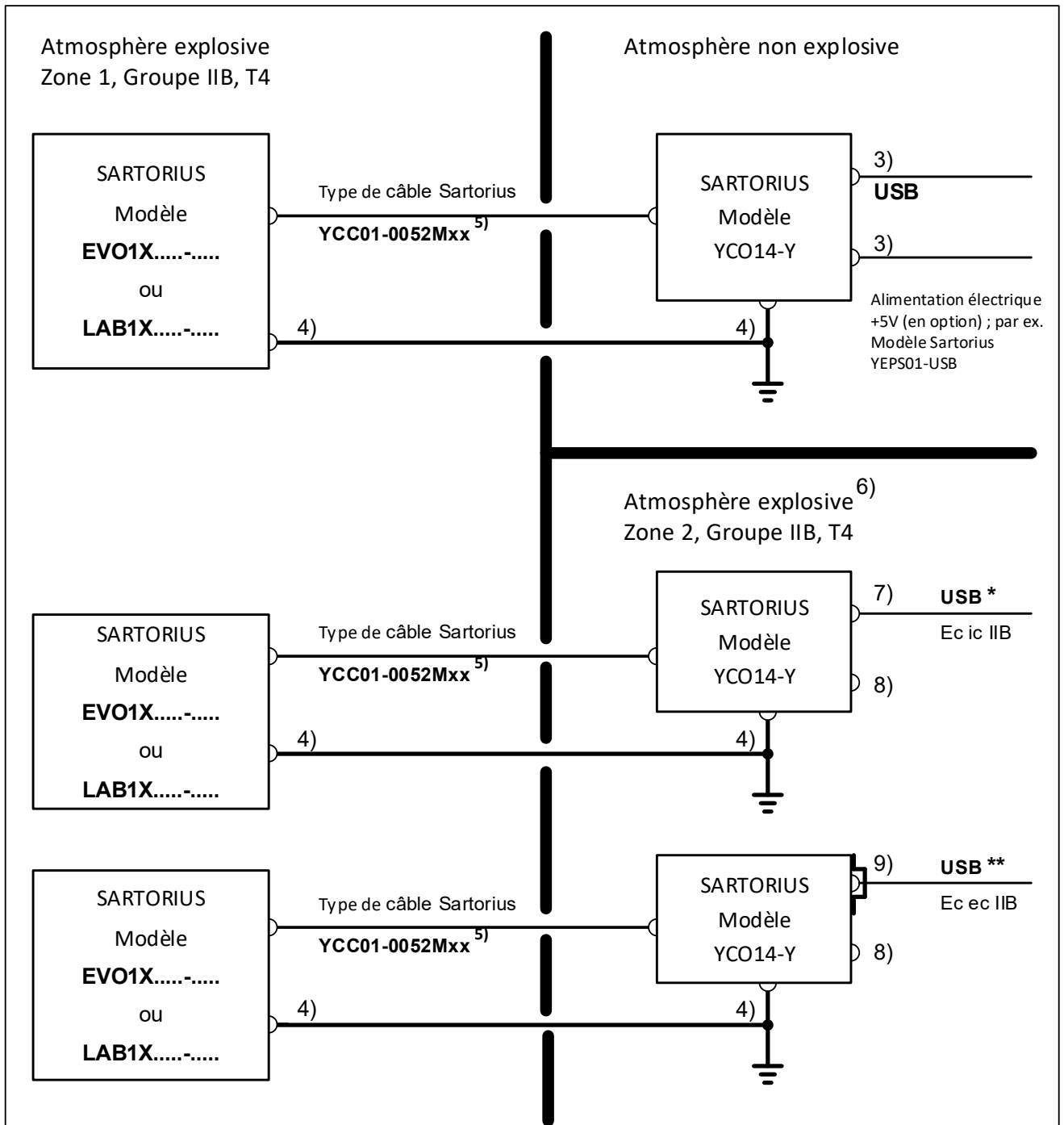
- 4) Die Erdungsanschlüsse der PMA.Evolution und des YCO14-Y Ex-Link Konverters müssen durch einen Potentialausgleichsleiter (PE) mit einem Querschnitt von $\geq 4 \text{ mm}^2$ verbunden sein. Beim Installieren des Systems am vorgesehenen Aufstellungsort ist zu prüfen, ob diese Verbindung zur Potenzialausgleichsschiene niederohmig ist. Die Abschirmung der Anschlusskabel ist nur dann für die Erdung zu nutzen, wenn hierdurch keine unzulässige Spannungsdifferenz erzeugt wird und wenn die Abschirmung ggf. in der Lage ist, den Ausgleichsstrom zu führen.
- 6) Wird der Ex-Link Konverter YCO14-Y in Zone 2 installiert, muss die Installation auf eine Weise erfolgen, dass für die YCO04-Y-Platine Verschmutzungsgrad 2 gewährleistet ist.
- 8) In Zone 2 darf der Anschluss „USB Power“ nicht verwendet werden.
- 9) Enthält das Kabel keine Ex ic-Schaltkreise, ist es durch die Sartorius „Zugentlastung für USB-Kabel“, Typ **YSR01**, vor versehentlichem Trennen zu schützen.
- 10) Das Gerät muss so installiert werden, dass es vor UV-Strahlung und dem Eindringen von Festkörpern oder Wasser und einer hierdurch bedingten Beeinträchtigung der Gerätesicherheit geschützt ist. Das Risiko mechanischer Schäden ist auf ein Minimum zu reduzieren.

	28.04.2021	SARTORIUS	Sicherheitshinweise	EVO1X..... / LAB1X..... YCO14-Y	
	Dr. D. Klausgrete		2023040	Revision 03	Blatt 2 /on 3

C. Allgemein

- 2) Das Gerät ist gemäß den geltenden Gesetzen, Regeln und Vorschriften, Verordnungen und Standards zu installieren. Die in den mitgelieferten Handbüchern enthaltenen Installations-, Betriebs-, Wartungs- und Servicehinweise müssen unbedingt befolgt werden.
- 3) Kein Anschluss an Geräte, die mehr als 250 Veff oder 250 V DC verwenden oder erzeugen.
- 7) Wird der Ex-Link Konverter YCO14-Y in Zone 2 installiert, muss er über ein USB-Kabel an ein Gerät mit eigensicherem (Ex ic-)Ausgang angeschlossen werden. Die Eingangsparameter des YCO14-Y in Schutzart Ex ic IIB sind
 $U_i = 17,0 \text{ V}$; $I_i = 2,0 \text{ A}$; $P_i = \text{beliebig}$, $C_i = 5,7 \text{ }\mu\text{F}$; $L_i = 0 \text{ mH}$ oder $U_i = 16,0 \text{ V}$; $I_i = 2,5 \text{ A}$; $P_i = \text{beliebig}$; $C_i = 5,7 \text{ }\mu\text{F}$; $L_i = 0 \text{ mH}$.
- 11) Es ist darauf zu achten, dass das Gerät keinen hohen Temperaturen ausgesetzt ist.
- 12) Das Anschlusskabel der Anzeigeeinheit muss vor Schäden und Zugbelastung geschützt werden.
- 13) Sollte das Gerät nicht einwandfrei arbeiten, ist es unverzüglich von der Netzversorgung zu trennen!
- 14) Der Betreiber des Geräts ist dafür verantwortlich, dass jegliches Risiko bedingt durch statische Elektrizität vermieden wird.
- 15) Halten Sie Chemikalien und andere Mittel, die Korrosion an den Gehäusedichtungen und Kabelummantelungen verursachen können, vom Gerät fern. Hierzu zählen u. a. Öl, Fett, Benzol, Azeton und Ozon. Sofern Zweifel bestehen, ob eine bestimmte Substanz sicher ist, bitte mit dem Hersteller in Verbindung setzen.
- 16) Lassen Sie Ihre Geräteinstallation in angemessenen Abständen von einem geschulten und zertifizierten Techniker auf ordnungsgemäße Funktion und Sicherheit überprüfen.
- 17) Vor dem Öffnen ist das Gerät von der Stromversorgung zu trennen bzw. sicherzustellen, dass in der Umgebung keine explosionsfähige Atmosphäre oder eine sonstige Explosionsgefahr vorhanden ist!
- 18) **WARNHINWEIS: BEIM AUSWECHSELN VON KOMPONENTEN KANN DIE GERÄTESICHERHEIT BEEINTRÄCHTIGT WERDEN.** Sollte eine Reparatur des Geräts erforderlich sein, dürfen nur vom Hersteller gelieferte Originalersatzteile verwendet werden!
- 19) Alle unerlaubten Änderungen am Gerät, außer den von zugelassenen Sartorius-Servicetechnikern vorgenommenen Reparaturen, führen zum Verlust des Explosionsschutzes sowie aller Ansprüche im Rahmen der Herstellergewährleistung. Das Gerät darf nur von qualifizierten Fachkräften gewartet werden.
- 20) Modifikationen, einschließlich derjenigen, die von Sartorius-Mitarbeitern durchgeführt werden, setzen die ausdrückliche schriftliche Genehmigung von Sartorius voraus.

	28.04.2021	SARTORIUS	Sicherheitshinweise EVO1X.....-..... / LAB1X.....-..... YCO14-Y	
	Dr. D. Klausgrete		2023040	Revision 03 Blatt 3 von 3



Nom de l'entreprise	Sartorius Lab Instruments GmbH & Co. KG
Adresse de l'entreprise	Otto-Brenner-Straße 20 37079 Göttingen Allemagne
Certificat ATEX	FM14ATEX0085X (EVO1X/LAB1X) FM16ATEX0029X (YCO14-Y)
Certificat UKEx	FM21UKEX0075X (EVO1X/LAB1X) FM21UKEX0076X (YCO14-Y)
Certificat IECEX	IECEX FME 14.0008X
Marquages	II 2 G Ex ib IIB T4 Gb 0 °C ≤ Ta ≤ 40 °C (EVO1X/LAB1X)
*	II 3 (2)G Ex ic ec [ib Gb] IIB T4 Gc 0 °C ≤ Ta ≤ 40 °C (YCO14-Y)
**	II 3 (2)G Ex ec [ib Gb] IIB T4 Gc 0 °C ≤ Ta ≤ 40 °C (YCO14-Y)

	28/04/2021		Consignes de sécurité		EVO1X.....-..... / LAB1X.....-..... YCO14-Y
	Dr D. Klausgrete		2023040	Révision 03	Feuille 1 de 3


Conditions spécifiques d'utilisation

A. Balance PMA.Evolution et convertisseur de jonction antidéflagrant YCO14-Y

- 1) Le boîtier de la balance PMA.Evolution et du convertisseur de jonction antidéflagrant YCO14-Y n'est pas conducteur et peut générer un niveau de charges électrostatiques inflammables dans certaines conditions extrêmes. L'utilisateur doit s'assurer que l'équipement n'est pas installé dans un endroit où il pourrait être soumis à des conditions externes susceptibles de provoquer une accumulation de charges électrostatiques sur des surfaces non conductrices. En outre, le nettoyage de l'équipement doit être effectué uniquement avec un chiffon humide.
- 5) La balance PMA.Evolution ne doit être utilisée qu'avec le convertisseur de jonction antidéflagrant YCO14-Y et inversement. Le câble CAT6 utilisé entre la balance PMA.Evolution et le convertisseur de jonction antidéflagrant YCO14-Y doit être fourni par Sartorius : Câble de type YCC01-0052Mxx (XX = 10 pour 10 m, 20 pour 20 m, 30 pour 30 m) ; longueur maximum du câble : 100 ft (30,5 m). Le câble de données connecté à la balance (unité de pesage) est considéré comme étant un circuit à sécurité intrinsèque. Vérifiez le bon déroulement du transfert de données avant d'utiliser l'équipement dans une zone à risque. L'opérateur de l'équipement est responsable des câbles utilisés ne provenant pas de Sartorius.

B. Convertisseur de jonction antidéflagrant YCO14-Y

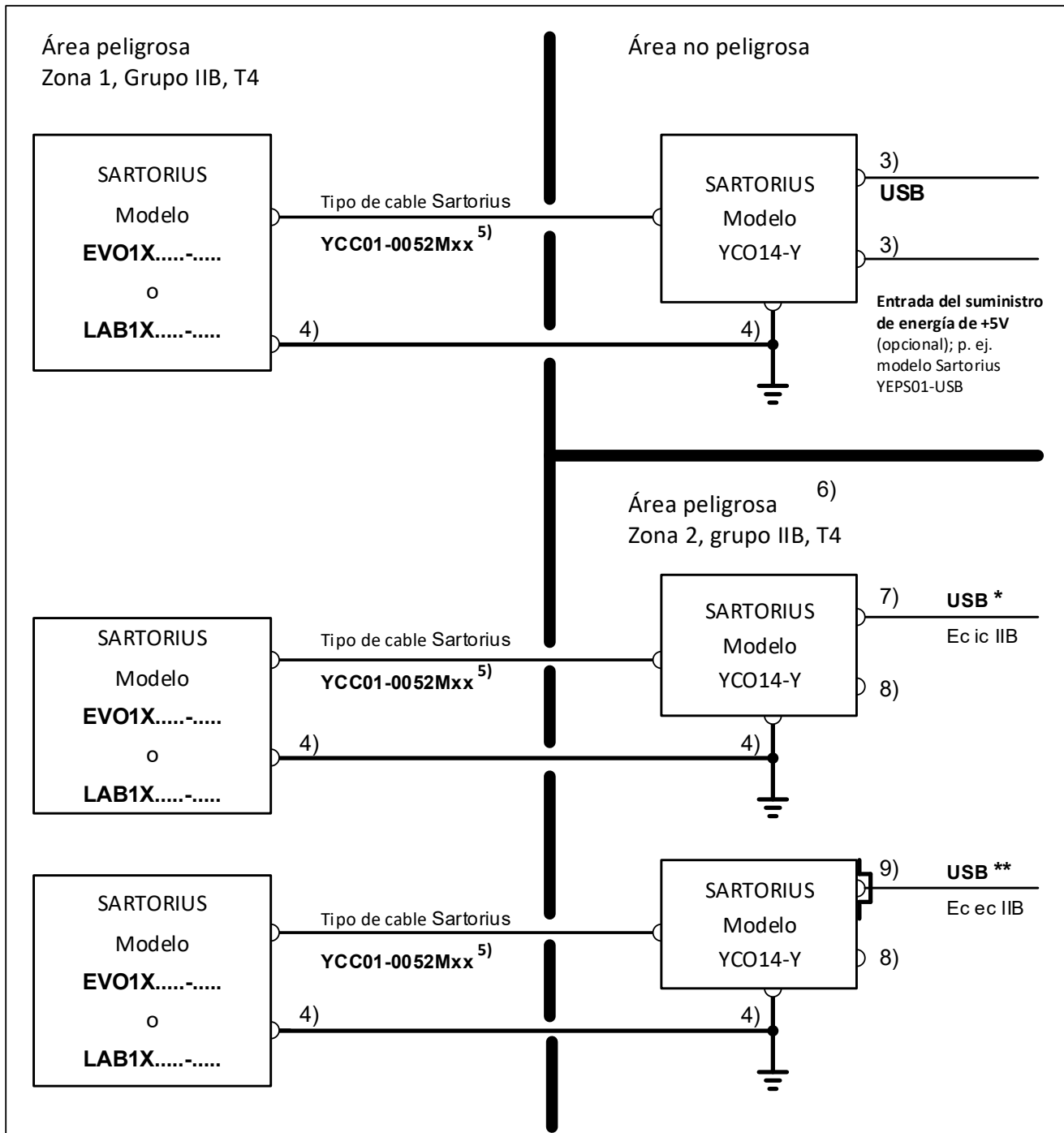
- 4) Les connecteurs de protection de la balance PMA.Evolution et du convertisseur de jonction antidéflagrant YCO14-Y doivent être raccordés ensemble à l'aide d'un conducteur de liaison équipotentielle (PE) d'une section transversale de $\geq 4 \text{ mm}^2$. La faible impédance de cette connexion à la borne d'équipotentialité doit être vérifiée lorsque le système est installé sur le lieu d'utilisation prévu. Le blindage des câbles de raccordement peut être utilisé pour la mise à la terre uniquement lorsqu'aucune différence non admissible de la tension n'est générée et que le blindage peut, si nécessaire, conduire le courant de compensation de potentiel.
- 6) Si le convertisseur de jonction antidéflagrant YCO14-Y est installé en zone 2, l'installation doit être effectuée de manière à ce que le degré de pollution 2 de la carte YCO04-Y soit garanti.
- 8) Dans la zone 2, le port « USB Power » ne doit pas être utilisé.
- 9) Si le câble ne contient pas de circuits Ex ic, le câble doit être protégé contre tout débranchement involontaire par un « dispositif de soulagement de traction pour câble USB » Sartorius de type **YSR01**.
- 10) L'équipement doit être installé de manière à empêcher l'exposition aux rayons UV et l'introduction de corps étrangers solides ou d'eau susceptibles de nuire à la sécurité de l'appareil. Réduisez au minimum les risques de dommages mécaniques.

	28/04/2021	SARTORIUS	Consignes de sécurité		EVO1X..... / LAB1X..... YCO14-Y
	Dr D. Klausgrete		2023040	Révision 03	Feuille 2 de 3

C. Caractéristiques générales

- 2) Installez l'équipement conformément aux lois, règlements, ordonnances et normes en vigueur. Respectez les conseils d'installation, d'utilisation, de maintenance et d'entretien qui se trouvent dans les modes d'emploi fournis avec l'appareil.
- 3) Pas de connexion à des appareils qui utilisent ou génèrent plus de 250 Vrms ou 250 Vdc.
- 7) Si le convertisseur de jonction antidéflagrant YCO14-Y est installé dans la zone 2, il doit être connecté par un câble USB à un appareil avec une sortie à sécurité intrinsèque (Ex ic). Les paramètres d'entrée de l'YCO14-Y dans le type de protection Ex ic IIB sont les suivants :
 $U_i = 17,0 \text{ V}$, $I_i = 2,0 \text{ A}$, $P_i = \text{au choix}$, $C_i = 5,7 \mu\text{F}$, $L_i = 0 \text{ mH}$ ou $U_i = 16,0 \text{ V}$, $I_i = 2,5 \text{ A}$, $P_i = \text{au choix}$, $C_i = 5,7 \mu\text{F}$, $L_i = 0 \text{ mH}$.
- 11) Évitez d'exposer l'équipement à une source de chaleur.
- 12) Il convient de protéger le câble de raccordement de l'unité d'affichage contre les dommages et les contraintes causés par des déformations.
- 13) En cas de dysfonctionnement de l'équipement, débranchez immédiatement ce dernier de la ligne électrique (alimentation secteur).
- 14) L'opérateur de l'équipement doit veiller à éviter les risques liés à l'électricité statique.
- 15) Les produits chimiques et autres agents susceptibles de corroder les joints du boîtier et les gaines des câbles doivent être tenus éloignés de l'équipement. Parmi ces produits, citons notamment l'huile, la graisse, le benzène, l'acétone et l'ozone. En cas de doute sur la dangerosité potentielle d'une substance donnée, contactez le fabricant.
- 16) Faites régulièrement vérifier le bon fonctionnement et la sécurité de votre installation par un technicien formé et agréé.
- 17) Avant d'ouvrir l'équipement, déconnectez l'alimentation électrique ou assurez-vous qu'il n'y a pas d'atmosphère potentiellement explosive ou tout autre risque d'explosion dans la zone avoisinante.
- 18) **AVERTISSEMENT : LA SUBSTITUTION DE COMPOSANTS RISQUE DE NUIRE À LA SÉCURITÉ INTRINSÈQUE.** Si l'équipement doit être réparé, utilisez uniquement des pièces de rechange d'origine fournies par le fabricant !
- 19) Toute modification non autorisée de l'équipement par une personne autre qu'un technicien agréé du Sartorius Service entraîne la perte de la conformité EX et annule la garantie du fabricant. Seuls les spécialistes agréés sont autorisés à ouvrir l'équipement.
- 20) Toute modification, même réalisée par le personnel de Sartorius, ne peut avoir lieu qu'avec l'autorisation écrite expresse de Sartorius.

	28/04/2021	SARTORIUS	Consignes de sécurité		EVO1X.....-..... / LAB1X.....-..... YCO14-Y
	Dr D. Klausgrete		2023040	Révision 03	Feuille 3 de 3



Nombre de la empresa	Sartorius Lab Instruments GmbH & Co. KG		
Domicilio de la empresa	Otto-Brenner Straße 20 37079 Göttingen Alemania		
Certificado ATEX	FM14ATEX0085X (EVO1X/LAB1X) FM16ATEX0029X (YCO14-Y)		
Certificado UKEX	FM21UKEX0075X (EVO1X/LAB1X) FM21UKEX0076X (YCO14-Y)		
Certificado IECEX	IECEX FME 14.0008X		
Marcado	II 2 G	Ex ib IIB T4 Gb	0 °C ≤ Ta ≤ 40 °C (EVO1X/LAB1X)
*	II 3 (2)G	Ex ic ec [ib Gb] IIB T4 Gc	0 °C ≤ Ta ≤ 40 °C (YCO14-Y)
**	II 3 (2)G	Ex ec [ib Gb] IIB T4 Gc	0 °C ≤ Ta ≤ 40 °C (YCO14-Y)

	2021-04-28		Instrucciones de seguridad	EVO1X.....-..... / LAB1X.....-..... YCO14-Y	
	Dr. D. Klausgrete		2023040	Revisión 03	Hoja 1 de 3


Condiciones de uso específicas

A. PMA.Evolution y convertidor YCO14-Y Ex-Link

- 1) Las carcasas de PMA.Evolution y el convertidor YCO14-Y Ex-Link no son conductoras y pueden generar un nivel de carga electrostática con capacidad de ignición bajo ciertas condiciones extremas. El usuario debe asegurarse de que el equipo no esté instalado en una ubicación donde pueda estar sujeto a condiciones externas que puedan causar una acumulación de cargas electrostáticas en superficies no conductoras; además, la limpieza del equipo solo debe hacerse con un paño húmedo.
- 5) PMA.Evolution solo debe usarse con el convertidor YCO14-Y Ex-Link y viceversa. El cable CAT6 utilizado entre PMA.Evolution y el convertidor YCO14-Y Ex-Link debe obtenerse de Sartorius: deberá usarse exclusivamente el tipo de cable YCC01-0052Mxx (xx = 10 significa 10 m, 20 significa 20 m y 30 significa 30 m); máxima longitud del cable: 100 ft (30,5 m). El cable de datos conectado a la báscula (unidad de pesaje) tiene la consideración de circuito de seguridad intrínseca. Antes de utilizar el equipo en una zona peligrosa, verifique el correcto funcionamiento de la transferencia de datos. El operador del equipo asume plena responsabilidad por las consecuencias que puedan derivarse de utilizar cables no originales de Sartorius.



B. Convertidor YCO14-Y Ex-Link

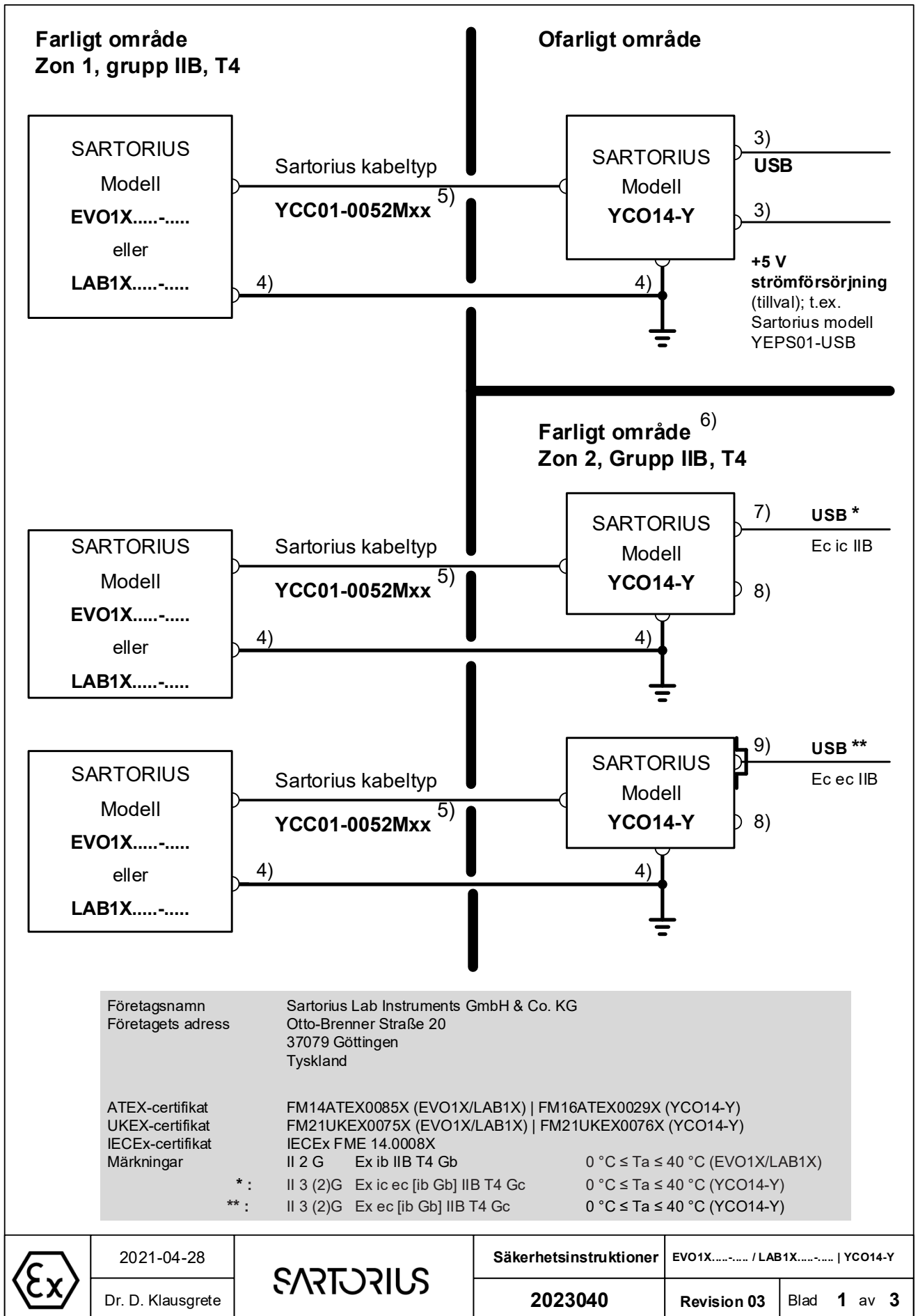
- 4) Los conectores de protección a tierra en PMA.Evolution y el convertidor Ex-Link YCO14-Y deben conectarse entre sí mediante un conductor de equalización de potencial (PE) con un área transversal de $\geq 4 \text{ mm}^2$. Una vez instalado el sistema en el lugar de uso previsto, deberá comprobarse la baja resistencia de esta conexión a la regleta. El blindaje de los cables de conexión solo se podrá emplear como puesta a tierra si con ello no se genera ninguna diferencia de tensión inadmisibles y, si fuese necesario, si dicho blindaje es capaz de conducir la corriente equipotencial.
- 6) Si se instala el convertidor Ex-Link YCO14-Y en la Zona 2, la instalación deberá realizarse de forma que se garantice el nivel de contaminación 2 de la placa YCO04-Y.
- 8) En la Zona 2 no deberá usarse el puerto "alimentación USB".
- 9) Si el cable no contiene ningún circuito Ex ic, deberá protegerse mediante el accesorio "Descargador de tensión para cables USB" Sartorius de tipo **YSR01** para evitar que se suelte accidentalmente.
- 10) El equipo debe instalarse de manera que quede protegido contra la radiación UV y la penetración de cuerpos sólidos extraños y de agua, que podrían comprometer la seguridad del aparato. Reducir al mínimo posible el riesgo de daños mecánicos.

	2021-04-28	SARTORIUS	Instrucciones de seguridad		EVO1X.....-..... / LAB1X.....-..... YCO14-Y
	Dr. D. Klausgrete		2023040	Revisión 03	Hoja 2 de 3

C. General

- 2) Instale el equipo de acuerdo con la legislación, las normativas, los reglamentos, las ordenanzas y las normas vigentes. Asegúrese de seguir las instrucciones de instalación, manejo, mantenimiento y reparación contenidas en los manuales adjuntos.
- 3) No debe conectarse el aparato a ningún dispositivo que utilice o genere una tensión superior a 250 V RMS o 250 V CC.
- 7) Si el convertidor Ex-Link YCO14-Y se instala en una Zona 2, deberá conectarse a través de un cable USB a un aparato con salida de seguridad intrínseca (Ex ic). Los parámetros de entrada del modelo YCO14-Y en cuanto a protección Ex ic IIB son los siguientes:
 $U_i = 17,0 \text{ V}$, $I_i = 2,0 \text{ A}$, $P_i = \text{cualquiera}$, $C_i = 5,7\mu\text{F}$, $L_i = 0 \text{ mH}$ o bien $U_i = 16,0 \text{ V}$, $I_i = 2,5 \text{ A}$, $P_i = \text{cualquiera}$, $C_i = 5,7\mu\text{F}$, $L_i = 0 \text{ mH}$.
- 11) Evite exponer el equipo al calor.
- 12) Proteja el cable de conexión de la unidad de visualización contra daños y tirones.
- 13) ¡Si el equipo dejase de funcionar correctamente, desenchufarlo inmediatamente de la alimentación eléctrica (suministro de red)!
- 14) El operador del equipo será el responsable de evitar los riesgos ocasionados por la electricidad estática.
- 15) Mantenga alejados del equipo todo tipo de productos químicos y demás agentes que puedan corroer los sellos de la carcasa y los blindajes de los cables. Entre estos agentes se cuentan: aceite, grasa, benceno, acetona y ozono. Si desconoce el grado de seguridad de una determinada sustancia, consulte al fabricante.
- 16) Encargue periódicamente a un técnico debidamente cualificado y certificado que compruebe el correcto funcionamiento y la seguridad de la instalación de su equipo.
- 17) Antes de abrir el equipo, desconecte la fuente de alimentación o asegúrese de que no se encuentre en una atmósfera explosiva y de que no exista ningún otro riesgo de explosión en la cercanía.
- 18) **ADVERTENCIA: LA SUSTITUCIÓN DE LOS COMPONENTES PUEDE MERMAR LA SEGURIDAD INTRÍNSECA.** ¡Si el equipo necesitase algún tipo de reparación, utilizar exclusivamente repuestos originales suministrados por el fabricante!
- 19) Cualquier manipulación del equipo por parte de cualquier persona no perteneciente a un servicio técnico autorizado de Sartorius conllevará la pérdida de la conformidad EX y la anulación de la garantía por parte del fabricante.. Solo especialistas debidamente autorizados pueden abrir el equipo.
- 20) Para cualquier modificación, incluso aunque vaya a ser efectuada por empleados de Sartorius, se requiere una autorización expresa, previa y por escrito de Sartorius.

	2021-04-28		Instrucciones de seguridad		EVO1X..... / LAB1X..... YCO14-Y
	Dr. D. Klausgrete		2023040	Revisión 03	Hoja 3 de 3





Specifika användarförhållanden

A. PMA.Evolution och YCO14-Y Ex-länkomvandlare

- 1) Förslutningarna till PMA.Evolution och YCO14-Y Ex-länkomvandlare är inte ledande och kan skapa en antändningsbar nivå av elektrostatiska laddningar under vissa extrema förutsättningar. Användaren ska se till att utrustningen inte är installerad på en plats där den kan utsättas för externa omständigheter som kan orsaka en uppbyggnad av elektrostatiska laddningar på ej ledande ytor, dessutom ska rengöring av utrustningen endast utföras med en fuktig trasa.
- 5) PMA.Evolution ska endast användas med YCO14-Y Ex-länkomvandlaren och vice versa. CAT6-kabeln som används mellan PMA.Evolution och YCO14-Y Ex-länkomvandlaren ska erhållas från Sartorius: Kabeltyp YCC01-0052Mxx (XX = 10 för 10 m, 20 för 20 m; 30 för 30 m); maximal kabellängd: 100 ft (30,5 m). Ansluten datakabel till vägen (vägningsenhet) betraktas som egensäker krets. Kontrollera att dataöverföringen fungerar korrekt innan du använder utrustningen på en farlig plats. Utrustningens operatör är ansvarig för användningen av alla kablar som inte är Sartorius.


B. YCO14-Y Ex-länkomvandlare

- 4) De skyddande jordanslutningarna på PMA.Evolution och YCO14-Y Ex-länkomvandlaren ska vara kopplade tillsammans med en potentialutjämningsledare (PE) med ett tvärsnittsområde på $\geq 4 \text{ mm}^2$. Den låga resistansen på anslutningen till PA-strömskenan måste kontrolleras när systemet är installerat på avsedd användningsplats. Skärmningen av anslutningskablar kan endast användas för jordning när ingen otillåten spänningsskillnad genereras och vid behov kan skärmningen leda den ekvipotentiella strömmen.
- 6) Om Ex-länkomvandlare YCO14-Y är installerad i zon 2 måste installationen göras på ett sådant sätt att föroreningsgraden 2 på YCO04-Y-kretskortet garanteras.
- 8) I zon 2 får "USB-strömporten" inte användas.
- 9) Om kabeln inte har några Ex ic-kretsar måste kabeln skyddas mot oavsiktlig frigöring genom användning av Sartorius "dragavlastning för USB-kabel" typ **YSR01**.
- 10) Utrustningen måste installeras på ett sådant sätt att den är skyddad mot UV-strålning och inträde av främmande föremål eller vatten som kan försämra apparatens säkerhet. Minska risken för mekanisk skada till ett minimum.

	2021-04-28		Säkerhetsinstruktioner	EVO1X..... / LAB1X..... YCO14-Y	
	Dr. D. Klausgrete		2023040	Revision 03	Blad 2 av 3

C. Allmänt

- 2) Installera utrustningen enligt gällande lagar, bestämmelser och regler, förordningar och standarder. Se till så att du följer de anvisningar för installation, drift, underhåll och reparation som anges i tillhandahållna manualer.
- 3) Ingen anslutning till en anordning som använder eller genererar hastigheter över 250 Vrms eller 250 Vdc.7) Om Ex-länkomvandlare YCO14-Y är installerad i zon 2 måste den anslutas via en USB-kabel till en apparat med egensäker (.Ex ic) utgång. Ingångsparametrarna på YCO14-Y som typ av Ex-skydd ic IB är
 $U_i = 17,0 \text{ V}$, $I_i = 2,0 \text{ A}$, $P_i = \text{vilken som helst}$, $C_i = 5,7\mu\text{F}$, $L_i = 0\text{mH}$ eller $U_i = 16,0 \text{ V}$, $I_i = 2,5 \text{ A}$, $P_i = \text{vilken som helst}$, $C_i = 5,7\mu\text{F}$, $L_i = 0\text{mH}$.
- 11) Undvik att exponera utrustningen för hetta.
- 12) Anslutningskabeln på displayenheten måste skyddas mot skador och påfrestning som orsakas av överbelastningen.
- 13) Om utrustningen inte fungerar korrekt, koppla omedelbart bort den från nätspänningen (elnätet)!
- 14) Utrustningens operatör ska hållas ansvarig för att undvika risker som orsakas av statisk elektricitet.
- 15) Håll kemiska medel och andra medel, som kan korrodera husets packningar och kabelmantlar, borta från utrustningen. Dessa medel inkluderar olja, fett, bensen, aceton och ozon. Om du inte är säker på säkerheten av ett visst ämne, kontakta tillverkaren.
- 16) Vid rimliga intervaller, se till att din utrustnings installation kontrolleras för korrekt funktion och säkerhet av en utbildad och behörig tekniker.
- 17) Innan du öppnar utrustningen, stäng av strömförsörjningen eller se till att det inte finns någon potentiell explosiv atmosfär eller någon annan explosionsrisk i omgivningen!
- 18) **VARNING: UTBYTE AV KOMPONENTER KAN FÖRSÄMRA EGENSÄKERHETEN.** Om din utrustning måste repareras, använd endast de originalreservdelar som leverantören tillhandahåller!
- 19) All manipulering på utrustningen, som inte är reparationsarbete av servicetekniker som Sartorius har godkänt, kommer att leda till att EX-efterlevnaden och alla anspråk på tillverkarens garanti annulleras. Endast behöriga specialister får öppna utrustningen.
- 20) Ändringar, inklusive de som Sartorius anställda genomför, kan endast tillåtas efter att skriftligt godkännande har erhållits från Sartorius.

	2021-04-28	SARTORIUS	Säkerhetsinstruktioner	EVO1X..... / LAB1X..... YCO14-Y	
	Dr. D. Klausgrete		2023040	Revision 03	Blad 3 av 3

1 EU-TYPE EXAMINATION CERTIFICATE



2 **Equipment or Protective systems intended for use in Potentially Explosive Atmospheres - Directive 2014/34/EU**

3 **EU-Type Examination Certificate No:** FM14ATEX0085X

4 **Equipment or protective system:** PMA.Evolution EVO1Xab-c and LAB1Xab-c.
(Type Reference and Name)

5 **Name of Applicant:** Sartorius Lab Instruments GmbH & Co. KG

6 **Address of Applicant:** Otto-Brenner-Strasse 20
Goettingen 37079
Germany

7 This equipment or protective system and any acceptable variation thereto is specified in the schedule to this certificate and documents therein referred to.

8 FM Approvals Europe Ltd, notified body number 2809 in accordance with Article 17 of Directive 2014/34/EU of 26th February 2014, certifies that this equipment has been found to comply with the Essential Health and Safety Requirements relating to the design and construction of equipment intended for use in potentially explosive atmospheres given in Annex II to the Directive.

The examination and test results are recorded in confidential report number:

3049987 dated 27th April 2015

9 Compliance with the Essential Health and Safety Requirements, with the exception of those identified in item 15 of the schedule to this certificate, has been assessed by compliance with the following documents:

EN IEC 60079-0:2018 and EN 60079-11:2012

10 If the sign 'X' is placed after the certificate number, it indicates that the equipment is subject to specific conditions of use specified in the schedule to this certificate.

11 This EU-Type Examination certificate relates only to the design, examination and tests of the specified equipment or protective system in accordance to the directive 2014/34/EU. Further requirements of the Directive apply to the manufacturing process and supply of this equipment or protective system. These are not covered by this certificate.

12 The marking of the equipment or protective system shall include:



II 2 G Ex ib IIB T4 Gb Ta = 0°C to +40°C



Richard Zammitt
Certification Manager, FM Approvals Europe Ltd.

Issue date: 20th May 2021

THIS CERTIFICATE MAY ONLY BE REPRODUCED IN ITS ENTIRETY AND WITHOUT CHANGE

FM Approvals Europe Ltd. One Georges Quay Plaza, Dublin. Ireland. D02 E440
T: +353 (0) 1761 4200 E-mail: atex@fmapprovals.com www.fmapprovals.com

F ATEX 020 (Dec/2020)



Page 1 of 3

SCHEDULE



to EU-Type Examination Certificate No. FM14ATEX0085X

13 Description of Equipment or Protective System:

The PMA.Evolution EVO1Xab-c and LAB1Xab-c are designed for the measurement of weight in the hazardous location. The PMA.Evolution contains the processing circuitry and has a touch enable LCD display with backlight facility. Power and data to the non-hazardous location are provided via YCO14-Y Ex-Link Converter (FM16ATEX0029X). All signal outputs to the Ex-Link Converter are in RS232 communications. The PMA.Evolution is housed within non-metallic enclosure. A dedicated potential equalization connection is provided on both the PMA.Evolution and the YCO14-Y Ex-Link Converter. Power and data connections between the YCO14-Y and the PMA.Evolution are made via a multi-conductor CAT6 cable.

The PMA.Evolution is available in two versions the EVO1X and the LAB1X.

PMA.Evolution EVO1Xab-c

a = Up to three letters and/or numbers or blank (not critical to safety)

b = Up to two letters and/or numbers or blank (not critical to safety)

c = Up to five letters and/or numbers or blank (not critical to safety)

PMA.Evolution LAB1Xab-c

a = Up to three letters and/or numbers or blank (not critical to safety)

b = Up to two letters and/or numbers or blank (not critical to safety)

c = Up to five letters and/or numbers or blank (not critical to safety)

14 Specific Conditions of Use:

1. The PMA.Evolution shall only be used with the YCO14-Y Ex-Link Converter (FM16ATEX0029X).
2. The protective ground connectors on the PMA.Evolution and the YCO14-Y Ex-Link Converter shall be connected together using a potential equalisation conductor with a cross-sectional area of $\geq 4\text{mm}^2$.
3. The CAT6 cable used between the PMA.Evolution and the YCO14-Y Ex-Link Converter shall be obtained from Sartorius.
4. The enclosure of the PMA.Evolution is non-conducting and may generate an ignition-capable level of electrostatic charges under certain extreme conditions. The user shall ensure that the equipment is not installed in a location where it may be subjected to external conditions that might cause a build-up of electrostatic charges on non-conducting surfaces, additionally; cleaning of the equipment should be done only with a damp cloth.

15 Essential Health and Safety Requirements:

The relevant EHSRs that have not been addressed by the standards listed in this certificate have been identified and assessed in the confidential report identified in item 8.

16 Test and Assessment Procedure and Conditions:

This EU-Type Examination Certificate is the result of testing of a sample of the product submitted, in accordance with the provisions of the relevant specific standard(s), and assessment of supporting documentation. It does not imply an assessment of the whole production.

Whilst this certificate may be used in support of a manufacturer's claim for CE Marking, FM Approvals Europe Ltd accepts no responsibility for the compliance of the equipment against all applicable Directives in all applications.

This Certificate has been issued in accordance with FM Approvals Europe Ltd's ATEX Certification Scheme.

THIS CERTIFICATE MAY ONLY BE REPRODUCED IN ITS ENTIRETY AND WITHOUT CHANGE

FM Approvals Europe Ltd. One Georges Quay Plaza, Dublin. Ireland. D02 E440
T: +353 (0) 1761 4200 E-mail: atex@fmapprovals.com www.fmapprovals.com

F ATEX 020 (Dec/2020)

Page 2 of 3

SCHEDULE



to EU-Type Examination Certificate No. FM14ATEX0085X

17 **Schedule Drawings**

A list of the significant parts of the technical documentation is annexed to this certificate and a copy has been kept by the Notified Body.

18 **Certificate History**

Details of the supplements to this certificate are described below:

Date	Description
30 th April 2015	Original Issue.
26 th September 2016	<u>Supplement 1:</u> Report Reference: 3057442 dated 22 nd September 2016. Description of the Change: Add reference to Ex-Link Converter, update standards and update certificate to EU format.
27 th April 2017	<u>Supplement 2:</u> Report Reference: RR209172 dated 17 th April 2017. Description of the Change: Minor documentation update.
12 th April 2019	<u>Supplement 3:</u> Report Reference: RR21798 dated 22 nd March 2019. Description of the Change: Removed references to delisted YCO14-Z Ex-Link Converter. Minor documentation update. Certificate transferred from FM Approvals Ltd., notified body no. 1725, to FM Approvals Europe Ltd., notified body no. 2809.
26 th April 2019	<u>Supplement 4:</u> Report Reference: RR216230 dated 17 th April 2019. Description of the Change: Minor documentation updates.
20 th May 2019	<u>Supplement 5:</u> Report Reference: RR218331 dated 06 th May 2019. Description of the Change: Update to safety critical components.
07 th October 2020	<u>Supplement 6:</u> Report Reference: RR224285 dated 05 th October 2020. Description of the Change: Update to most recent version of EN 60079-0.
20 th May 2021	<u>Supplement 7:</u> Report Reference: RR227986 dated 11 th May 2021. Description of the Change: Update to labels and instructions to add UKEX Certification details.

THIS CERTIFICATE MAY ONLY BE REPRODUCED IN ITS ENTIRETY AND WITHOUT CHANGE

FM Approvals Europe Ltd. One Georges Quay Plaza, Dublin. Ireland. D02 E440
T: +353 (0) 1761 4200 E-mail: atex@fmapprovals.com www.fmapprovals.com

F ATEX 020 (Dec/2020)

Page 3 of 3

1 EU-TYPE EXAMINATION CERTIFICATE



2 **Equipment or Protective systems intended for use in Potentially
Explosive Atmospheres - Directive 2014/34/EU**

3 **EU-Type Examination Certificate No: FM16ATEX0029X**

4 **Equipment or protective system:
(Type Reference and Name) YCO14-Y
Ex-Link Converter**

5 **Name of Applicant: Sartorius Lab Instruments GmbH & Co. KG**

6 **Address of Applicant: Otto-Brenner-Strasse 20
Goettingen 37079
Germany**

7 This equipment or protective system and any acceptable variation thereto is specified in the schedule to this certificate and documents therein referred to.

8 FM Approvals Europe Ltd, notified body number 2809 in accordance with Article 17 of Directive 2014/34/EU of 26th February 2014, certifies that this equipment has been found to comply with the Essential Health and Safety Requirements relating to the design and construction of equipment intended for use in potentially explosive atmospheres given in Annex II to the Directive.

The examination and test results are recorded in confidential report number:

3057442 dated 22nd September 2016

9 Compliance with the Essential Health and Safety Requirements, with the exception of those identified in item 15 of the schedule to this certificate, has been assessed by compliance with the following documents:

EN IEC 60079-0:2018, EN 60079-7: 2015+A1:2018, EN 60079-11:2012,
and EN 60529:1991+A1:2000+ A2:2013

10 If the sign 'X' is placed after the certificate number, it indicates that the equipment is subject to specific conditions of use specified in the schedule to this certificate.

11 This EU-Type Examination certificate relates only to the design, examination and tests of the specified equipment or protective system in accordance to the directive 2014/34/EU. Further requirements of the Directive apply to the manufacturing process and supply of this equipment or protective system. These are not covered by this certificate.

12 The marking of the equipment or protective system shall include:



II 3 (2) G Ex ec ic [ib Gb] IIB T4 Gc Ta = 0°C to +40°C

II 3 (2) G Ex ec [ib Gb] IIB T4 Gc Ta = 0°C to +40°C

Digitally signed
by Richard
Zammitt
Foxit
PhantomPDF
Version: 10.0.1

**Richard Zammitt
Certification Manager, FM Approvals Europe Ltd.**

Issue date: 20th May 2021

THIS CERTIFICATE MAY ONLY BE REPRODUCED IN ITS ENTIRETY AND WITHOUT CHANGE

FM Approvals Europe Ltd. One Georges Quay Plaza, Dublin. Ireland. D02 E440
T: +353 (0) 1761 4200 E-mail: atex@fmapprovals.com www.fmapprovals.com

F ATEX 020 (Dec/2020)



Page 1 of 3

SCHEDULE



to EU-Type Examination Certificate No. FM16ATEX0029X

13 Description of Equipment or Protective System:

The YCO14-Y Ex-Link Converter is a dedicated device providing power and data to the PMA.Evolution EVO1X or LAB1X weighing platforms (FM14ATEX0085X). All signal outputs to the PMA.Evolution are available in RS232 communications. The YCO14-Y Ex-Link Converter is housed within non-metallic enclosure. A dedicated potential equalization connection is provided on both the PMA.Evolution and the YCO14-Y Ex-Link Converter. Power and data connections between the YCO14-Y and the PMA.Evolution are made via a multi-conductor CAT6 cable.

Ratings - The PMA.Evolution and the YCO14-Y Ex-Link Converter are designed to be used together as a system. The input voltage to the YCO14-Y Ex-Link Converter is via USB connections a 5 V - 0.25 V/ +0.45V. The ambient operating temperature is 0°C to 40°C.

YCO14-Y "ic" Input Energy Limitation Parameters:

$U_i = 17.0V$, $I_i = 2.0A$, $C_i = 5.7\mu F$, $L_i = 0mH$

$U_i = 16.0V$, $I_i = 2.5A$, $C_i = 5.7\mu F$, $L_i = 0mH$

YCO14-Y with "ec" Input Circuit (increased safety apparatus) or outside hazardous locations:

$U_m = 250V$

14 Specific Conditions of Use:

1. The YCO14-Y Ex-Link Converter shall only be used with the PMA.Evolution.
2. The protective ground connectors on the PMA.Evolution and the YCO14-Y Ex-Link Converter shall be connected together using a potential equalisation conductor with a cross-sectional area of at least 4 mm².
3. The CAT6 cable used between the PMA.Evolution and the YCO14-Y Ex-Link Converter shall be obtained from Sartorius.
4. The enclosure of the YCO14-Y is non-conducting and may generate an ignition-capable level of electrostatic charges under certain extreme conditions. The user shall ensure that the equipment is not installed in a location where it may be subjected to external conditions that might cause a build-up of electrostatic charges on non-conducting surfaces, additionally; cleaning of the equipment should be done only with a damp cloth.
5. The equipment shall be installed in such a way that it is protected against UV radiation and the entry of solid foreign objects or water capable of impairing the safety of the apparatus. Reduce the risk of mechanical damage to a minimum.
6. If the Ex-Link Converter YCO14-Y is installed in Zone 2, the installation must be done in such a way that the pollution degree 2 of the YCO14-Y board is guaranteed.
7. In Zone 2 the "USB Power" port may not be used.
8. If the cable contains no Ex ic circuits, the cable must be protected against unintended release by use of Sartorius "Strain Relief for USB Cord" type YSR01.

15 Essential Health and Safety Requirements:

The relevant EHSRs that have not been addressed by the standards listed in this certificate have been identified and assessed in the confidential report identified in item 8.

16 Test and Assessment Procedure and Conditions:

This EU-Type Examination Certificate is the result of testing of a sample of the product submitted, in accordance with the provisions of the relevant specific standard(s), and assessment of supporting documentation. It does not imply an assessment of the whole production.

THIS CERTIFICATE MAY ONLY BE REPRODUCED IN ITS ENTIRETY AND WITHOUT CHANGE

FM Approvals Europe Ltd. One Georges Quay Plaza, Dublin. Ireland. D02 E440
T: +353 (0) 1761 4200 E-mail: atex@fmapprovals.com www.fmapprovals.com

F ATEX 020 (Dec/2020)

Page 2 of 3

SCHEDULE



to EU-Type Examination Certificate No. FM16ATEX0029X

Whilst this certificate may be used in support of a manufacturer's claim for CE Marking, FM Approvals Europe Ltd accepts no responsibility for the compliance of the equipment against all applicable Directives in all applications.

This Certificate has been issued in accordance with FM Approvals Europe Ltd's ATEX Certification Scheme.

17 **Schedule Drawings**

A list of the significant parts of the technical documentation is annexed to this certificate and a copy has been kept by the Notified Body.

18 **Certificate History**

Details of the supplements to this certificate are described below:

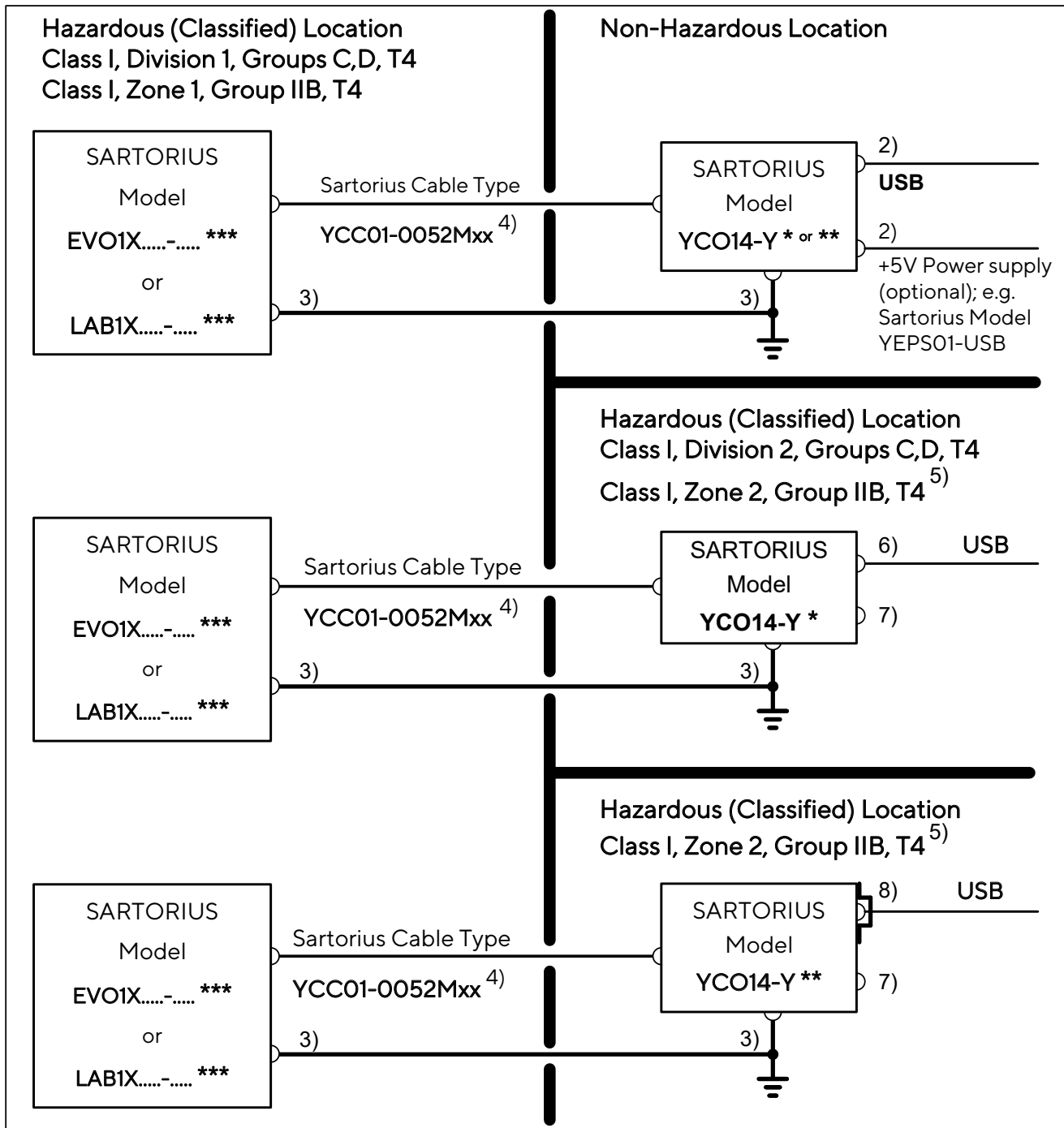
Date	Description
27 th September 2016	Original Issue.
27 th April 2017	<u>Supplement 1:</u> Report Reference: RR209172 dated 17 th April 2017. Description of the Change: Minor documentation update not affecting compliance.
12 th April 2019	<u>Supplement 2:</u> Report Reference: RR217978 dated 22 nd March 2019. Description of the Change: Minor documentation update. Certificate transferred from FM Approvals Ltd., notified body no. 1725, to FM Approvals Europe Ltd., notified body no. 2809.
26 th April 2019	<u>Supplement 3:</u> Report Reference: RR216230 dated 17 th April 2020 Description of the Change: Minor documentation update
07 th October 2020	<u>Supplement 4:</u> Report Reference: RR224285 dated 05 th October 2020. Description of the Change: Update of EN60079-0 to most recent version, Change rating from Ex nA to Ex ec, Minor documentation changes.
20 th May 2021	<u>Supplement 5:</u> Report Reference: RR227986 dated 11 th May 2021. Description of the Change: Update to labels and instructions to add UKEX Certification details. Corrected project number in Section 8.

THIS CERTIFICATE MAY ONLY BE REPRODUCED IN ITS ENTIRETY AND WITHOUT CHANGE

FM Approvals Europe Ltd. One Georges Quay Plaza, Dublin. Ireland. D02 E440
T: +353 (0) 1761 4200 E-mail: atex@fmapprovals.com www.fmapprovals.com

F ATEX 020 (Dec/2020)

Page 3 of 3



Ambient temperature range:
0°C +40°C (+32°F +104°F)

Certificate No:
FM16US0226X (USA)
FM16CA0124X (CA)


Markings:

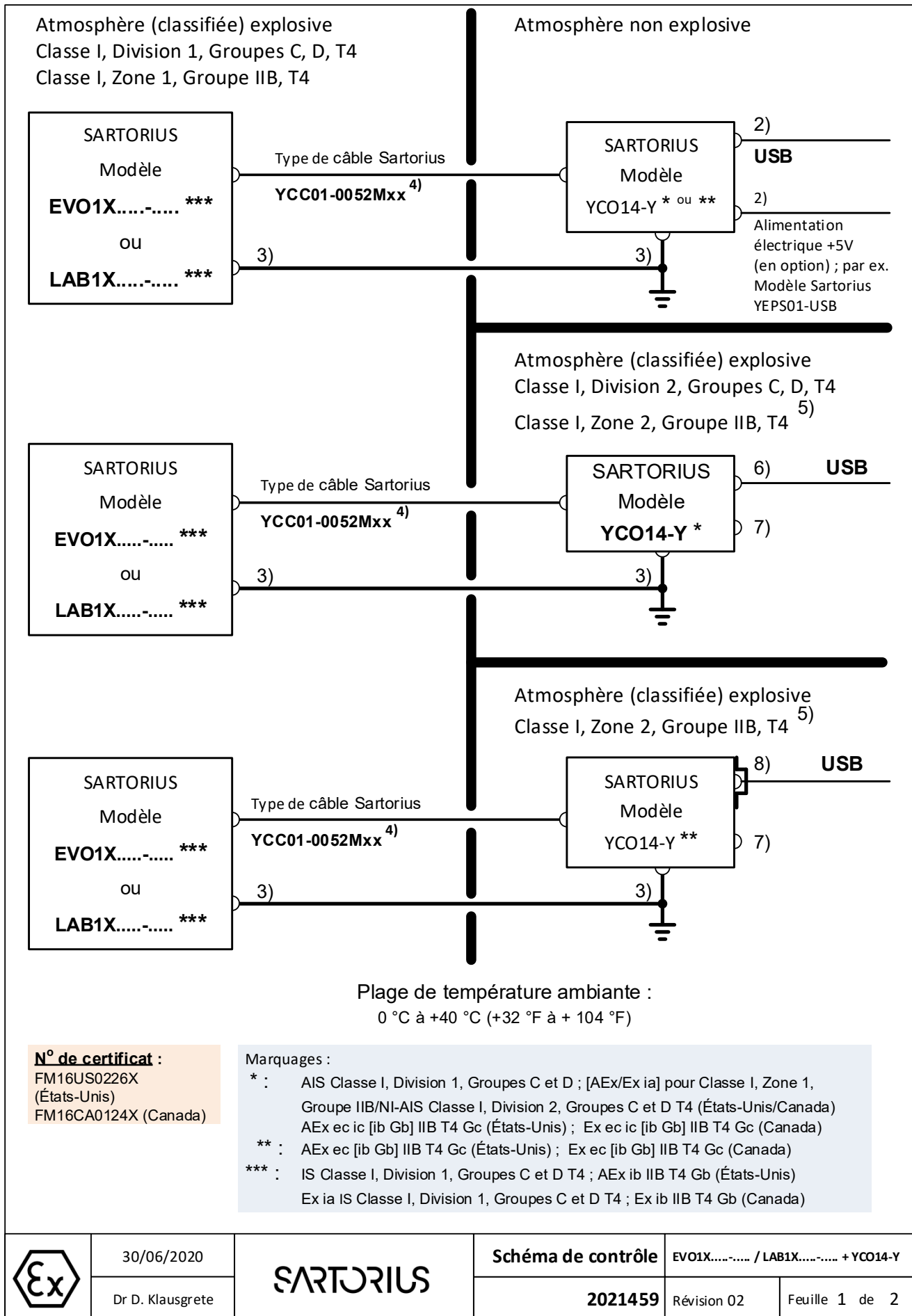
- * : AIS Class I, Division 1, Group C and D; [AEx/Ex ia] for Class I, Zone 1, Group IIB / NI-AIS Class I, Division 2, Group C and D T4 (USA / CA)
AEx ec ic [ib Gb] IIB T4 Gc (USA); Ex ec ic [ib Gb] IIB T4 Gc (CA)
- ** : AEx ec [ib Gb] IIB T4 Gc (USA); Ex ec [ib Gb] IIB T4 Gc (CA)
- *** : IS Class I, Division 1, Group C and D T4; AEx ib IIB T4 Gb (USA)
Ex ia IS Class I, Division 1, Group C and D T4; Ex ib IIB T4 Gb (CA)

	2020-06-30	SARTORIUS	Control Drawing	EVO1X.....-..... / LAB1X.....-..... + YCO14-Y	
	Dr. D. Klausgrete		2021459	Revision 02	Sheet 1 of 2

Be sure to follow the installation, operating, maintenance and servicing instructions given in the manuals supplied.


- 1) The YCO14-Y Ex-Link Converter shall only be used with the PMA.Evolution and the PMA.Evolution shall only be used with the YCO14-Y Ex-Link Converter.
The installation must be in accordance with the National Electrical Code®, NFPA 70, Article 504 or 505 and ANSI / ISA-RP 12.6 (USA) and in accordance with the Canadian Electrical Code®, Section 18 (Canada).
- 2) No connection to any device that uses or generates in excess of 250Vrms or 250Vdc.
- 3) The protective ground connectors on the PMA.Evolution and the YCO14-Y Ex-Link Converter shall be connected together using a potential equalisation conductor with a cross-sectional area of at least 4 mm².
The apparatus must be connected to a suitable ground electrode per National Electrical Code®, NFPA 70, Article 504 or 505 (USA) and per Canadian Electrical Code®, Section 18 (Canada). The resistance of the ground pad must be less than 1 ohm.
- 4) Only the Sartorius CAT6 cable type YCC01-0052Mxx (XX = 10 for 10m, 20 for 20m; 30 for 30m) may be used between the PMA.Evolution and the YCO14-Y Ex-Link Converter. Maximum cable length: 100ft (30.5m).
The equipment operator is responsible for any non-Sartorius cables used.
- 5) If the Ex-Link Converter YCO14-Y is installed in Zone 2, the installation must be done in such a way that the pollution degree 2 of the YCO04-Y board is guaranteed.
- 6) **For use in Division 2:** The Ex-Link Converter YCO14-Y must be connected via an USB cable to a nonincendive apparatus with nonincendive field wiring output. The input parameters of the YCO14-Y are Vmax = 17.0V, Imax = 2.0A, Pmax = any, Ci = 5.7µF, Li = 0mH or Vmax = 16.0V, Imax = 2.5A, Pmax = any, Ci = 5.7µF, Li = 0mH (Entity parameters).
For use in Zone 2: The Ex-Link Converter YCO14-Y must be connected via an USB cable to a apparatus with intrinsically safe (Ex ic) output. The input parameters of the YCO14-Y in type of protection Ex ic IIB are Ui = 17.0V, li = 2.0A, Pi = any, Ci = 5.7µF, Li = 0mH or Ui = 16.0V, li = 2.5A, Pi = any, Ci = 5.7µF, Li = 0mH (Entity parameters).
- 7) In Division 2 and in Zone 2 the „USB Power“ port may not be used.
- 8) If the cable contains no Ex ic circuits, the cable must be protected against unintended release by use of Sartorius „Strain Relief for USB Cord“ type **YSR01**.
- 9) The equipment shall be installed in such a way that it is protected against UV radiation and the entry of solid foreign objects or water capable of impairing the safety of the apparatus. Reduce the risk of mechanical damage to a minimum.
- 10) The connecting cable of the display unit must be prevented against damage and stress caused by strain.
- 11) If the equipment does not operate properly, unplug it immediately from line power (mains supply)!
- 12) The enclosure of the PMA.Evolution and of the YCO14-Y is non-conducting and may generate an ignition-capable level of electrostatic charges under certain extreme conditions. The user shall ensure that the equipment is not installed in a location where it may be subjected to external conditions that might cause a build-up of electrostatic charges on non-conducting surfaces, additionally; cleaning of the equipment should be done only with a damp cloth. The equipment operator shall be responsible for preventing any risks caused by static electricity. Use equipment only in the temperature ranges indicated. Avoid exposing the equipment to heat.
- 13) Keep chemicals and other agents, which can corrode the housing seals and cable sheaths, away from the equipment. These agents include oil, grease, benzene, acetone and ozone. If you are not sure about the safety of a certain substance, please contact the manufacturer.
- 14) At reasonable intervals, have your equipment installation checked for proper functioning and safety by a trained and certified technician.
- 15) Prior to opening the equipment, disconnect the power supply or make sure that there is no potentially explosive atmosphere or any other explosion hazard in the surrounding area!
- 16) **WARNING: SUBSTITUTION OF COMPONENTS MAY IMPAIR INTRINSIC SAFETY.**
Use only original spare parts supplied by the manufacturer! Any tampering with the equipment by anyone, other than repair work done by authorized Sartorius service technicians, will result in the loss of EX conformity and in the forfeiture of all claims under the manufacturer's warranty. Only authorized specialists may open the equipment. Modifications, including those to be carried out by Sartorius employees, may be permitted only after the express written authorization has been obtained from Sartorius.

	2020-06-30	SARTORIUS	Control Drawing	EVO1X.....-..... / LAB1X.....-..... + YCO14-Y	
	Dr. D. Klausgrete		2021459	Revision 02	Sheet 2 of 2



Respectez les conseils d'installation, d'utilisation, de maintenance et d'entretien qui se trouvent dans les modes d'emploi fournis avec l'appareil.

- 1) **Le convertisseur de jonction antidéflagrant YCO14-Y ne doit être installé qu'avec la balance PMA.Evolution et cette dernière ne doit être utilisée qu'avec le convertisseur de jonction antidéflagrant YCO14-Y.**
L'installation doit être conforme au National Electrical Code[®], NFPA 70, article 504 ou 505 et ANSI/ISA-RP 12.6 (États-Unis) et conforme au Canadian Electrical Code[®], section 18 (Canada).
- 2) Pas de connexion à des appareils qui utilisent ou génèrent plus de 250 Vrms ou 250 Vdc.
- 3) **Les connecteurs de protection de la balance PMA.Evolution et du convertisseur de jonction antidéflagrant YCO14-Y doivent être raccordés ensemble à l'aide d'un conducteur de liaison équipotentielle d'une section transversale minimale de 4 mm².**
L'appareil doit être connecté à une électrode de masse adaptée au National Electrical Code[®], NFPA 70, article 504 ou 505 (États-Unis) et adaptée au Canadian Electrical Code[®], section 18 (Canada). La résistance du tampon conducteur doit être inférieure à 1 ohm.
- 4) **Seul le câble Sartorius CAT6 de type YCC01-0052Mxx (XX = 10 pour 10 m, 20 pour 20 m, 30 pour 30 m) doit être utilisé entre la balance PMA.Evolution et le convertisseur de jonction antidéflagrant YCO14-Y. Longueur maximum du câble : 100 ft (30,5 m). L'opérateur de l'équipement est responsable des câbles utilisés ne provenant pas de Sartorius.**
- 5) **Si le convertisseur de jonction antidéflagrant YCO14-Y est installé en zone 2, l'installation doit être effectuée de manière à ce que le degré de pollution 2 de la carte YCO04-Y soit garanti.**
- 6) **Pour une utilisation dans la Division 2 :** le convertisseur de jonction antidéflagrant YCO14-Y doit être connecté par un câble USB à un appareil non inflammable avec une sortie de câblage de terrain non inflammable. Les paramètres d'entrée de l'YCO14-Y sont les suivants :
Vmax = 17,0 V, Imax = 2,0 A, Pmax = au choix, Ci = 5,7 µF, Li = 0 mH ou Vmax = 16,0 V, Imax = 2,5 A, Pmax = au choix, Ci = 5,7 µF, Li = 0 mH (paramètres d'entité).
Pour une utilisation dans la Zone 2 : le convertisseur de jonction antidéflagrant YCO14-Y doit être connecté par un câble USB à un appareil avec une sortie à sécurité intrinsèque (Ex ic). Les paramètres d'entrée de l'YCO14-Y dans le type de protection Ex ic IIB sont les suivants :
Ui = 17,0 V, Ii = 2,0 A, Pi = au choix, Ci = 5,7 µF, Li = 0 mH ou Ui = 16,0 V, Ii = 2,5 A, Pi = au choix, Ci = 5,7 µF, Li = 0 mH (paramètres d'entité).
- 7) **Dans la Division 2 et la Zone 2, le port « USB Power » ne doit pas être utilisé.**
- 8) Si le câble ne contient pas de circuits Ex ic, le câble doit être protégé contre tout débranchement involontaire par un « dispositif de soulagement de traction pour câble USB » Sartorius de type YSR01.
- 9) **L'équipement doit être installé de manière à empêcher l'exposition aux rayons UV et l'introduction de corps étrangers solides ou d'eau susceptibles de nuire à la sécurité de l'appareil. Réduisez au minimum les risques de dommages mécaniques.**
- 10) Il convient de protéger le câble de raccordement de l'unité d'affichage contre les dommages et les contraintes causés par des déformations.
- 11) En cas de dysfonctionnement de l'équipement, débranchez immédiatement ce dernier de la ligne électrique (alimentation secteur).
- 12) **Le boîtier de la balance PMA.Evolution et du convertisseur de jonction antidéflagrant YCO14-Y-n n'est pas conducteur et peut générer un niveau de charges électrostatiques inflammables dans certaines conditions extrêmes. L'utilisateur doit s'assurer que l'équipement n'est pas installé dans un endroit où il pourrait être soumis à des conditions externes susceptibles de provoquer une accumulation de charges électrostatiques sur des surfaces non conductrices. En outre, le nettoyage de l'équipement doit être effectué uniquement avec un chiffon humide. L'opérateur de l'équipement doit veiller à éviter les risques liés à l'électricité statique. Utilisez l'équipement uniquement dans les plages de températures indiquées. Évitez d'exposer l'équipement à une source de chaleur.**
- 13) Les produits chimiques et autres agents susceptibles de corroder les joints du boîtier et les gaines des câbles doivent être tenus éloignés de l'équipement. Parmi ces produits, citons notamment l'huile, la graisse, le benzène, l'acétone et l'ozone. En cas de doute sur la dangerosité potentielle d'une substance donnée, contactez le fabricant.
- 14) Faites régulièrement vérifier le bon fonctionnement et la sécurité de votre installation par un technicien formé et agréé.
- 15) Avant d'ouvrir l'équipement, déconnectez l'alimentation électrique ou assurez-vous qu'il n'y a pas d'atmosphère potentiellement explosive ou tout autre risque d'explosion dans la zone avoisinante.
- 16) **AVERTISSEMENT : LA SUBSTITUTION DE COMPOSANTS RISQUE DE NUIRE À LA SÉCURITÉ INTRINSÈQUE.** Utilisez uniquement des pièces de rechange d'origine fournies par le fabricant ! Toute modification non autorisée de l'équipement par toute personne autre qu'un technicien agréé du Sartorius Service, Sartorius, entraînera la perte de la conformité EX et l'invalidité des demandes déposées au titre de la garantie du fabricant. Seuls les spécialistes agréés sont autorisés à ouvrir l'équipement. Toute modification, même effectuée par un membre de la société Sartorius, n'est autorisée qu'après obtention de l'autorisation écrite expresse de Sartorius.

	30/06/2020	SARTORIUS	Schéma de contrôle		EVO1X.....-..... / LAB1X.....-..... + YCO14-Y	
	Dr D. Klausgrete		2021459	Révision 02	Feuille 2 de 2	

CERTIFICATE OF CONFORMITY

- HAZARDOUS (CLASSIFIED) LOCATION ELECTRICAL EQUIPMENT PER US REQUIREMENTS**
- Certificate No:** FM16US0226X
- Equipment:** PMA.Evolution EVO1X.....-..... and LAB1X.....-.....
(Type Reference and Name) Weighing Unit
Type YCO14-Y Ex-Link Converter
- Name of Listing Company:** Sartorius Lab Instruments GmbH & Co. KG
- Address of Listing Company:** Otto-Brenner-Strasse 20
Goettingen
37079
Germany
- The examination and test results are recorded in confidential report number:
3049987 dated 27th April 2016
- FM Approvals LLC, certifies that the equipment described has been found to comply with the following Approval standards and other documents:
FM Class 3600:2018, FM Class 3610: 2018, FM Class 3611:2018, FM Class 3810:2018,
ANSI/ISA 60079-0:2019, ANSI/UL 60079-7:2017, ANSI/ISA 60079-11:2011, ANSI/IEC 60529:2004
- If the sign 'X' is placed after the certificate number, it indicates that the equipment is subject to specific conditions of use specified in the schedule to this certificate.
- This certificate relates to the design, examination and testing of the products specified herein. The FM Approvals surveillance audit program has further determined that the manufacturing processes and quality control procedures in place are satisfactory to manufacture the product as examined, tested and Approved.
- Equipment Ratings:
YCO14-Y Ex-Link Converter
Associated Intrinsically Safe apparatus for connection to Class I, Division 1, Groups C and D; Associated Intrinsically Safe for connection to Class I, Zone 1, Group IIB; Non-incendive for use in Class I, Division 2, Group C and D with Intrinsically Safe outputs for connection to Class I, Division 1, Groups C and D; Increased Safety and Intrinsically Safe apparatus for Class 1, Zone 2, AEx ec ic [ib Gb] IIB Gc with

Certificate issued by:



J.E. Marquedant
VP, Manager - Electrical Systems

5 October 2020
Date

To verify the availability of the Approved product, please refer to www.approvalguide.com

THIS CERTIFICATE MAY ONLY BE REPRODUCED IN ITS ENTIRETY AND WITHOUT CHANGE

FM Approvals LLC, 1151 Boston-Providence Turnpike, Norwood, MA 02062 USA
T: +1 (1) 781 762 4300 F: +1 (1) 781 762 9375 E-mail: information@fmaprovals.com www.fmaprovals.com

SCHEDULE



US Certificate Of Conformity No: FM16US0226X

connection to Class 1, Zone 1, Group IIB; Increased Safety apparatus for Class 1, Zone 2, AEx ec [ib Gb] IIB Gc for connection to Class 1, Zone 1, Group IIB hazardous (classified) locations in accordance with drawing 2021459. Ambient temperature range 0°C to 40°C. Indoor locations only.

PMA.Evolution EVO1Xab-c

PMA.Evolution LAB1Xab-c

Intrinsically Safe for Class I, Division 1, Groups C and D, hazardous (classified) locations in accordance with drawing 2021459, Intrinsically Safe for Class I, Zone 1, AEx ib IIB Gb hazardous (classified) locations in accordance with drawing 2021459. Temperature class T4 at an ambient temperature of 0°C to 40°C. Indoor locations only.

11. The marking of the equipment shall include:

YCO14-Y Ex-Link Converter

AIS Class I, Division 1, Groups C and D; [AEx ia] for Class I, Zone 1, Group IIB;
NI-AIS Class I, Division 2, Group C and D T4;
AEx ec ic [ib Gb] IIB T4 Gc
AEx ec [ib Gb] IIB T4 Gc
in accordance with drawing 2021459
Ambient temperature range 0°C to 40°C

PMA.Evolution EVO1Xab-c

PMA.Evolution LAB1Xab-c

IS Class I, Division 1, Groups C and D T4; AEx ib IIB T4 Gb
in accordance with drawing 2021459
Ambient temperature range 0°C to 40°C.

12. **Description of Equipment:**

The PMA.Evolution is designed for the measurement of weight in the hazardous location. The PMA.Evolution contains the processing circuitry and has a touch enable LCD display with backlight facility. Power and data to the non-hazardous or unclassified location are provided via the YCO14-Y Ex-Link Converter. All signal outputs to the YCO14-Y Ex-Link Converter are available in RS232 communications. Both the PMA.Evolution and the YCO14-Y Ex-Link Converter are housed within non-metallic enclosures. A dedicated potential equalization connection is provided on both the PMA.Evolution and the YCO14-Y Ex-Link Converter. Power and data connections between the YCO14-Y Ex-Link Converter and the PMA.Evolution are made via a multi-conductor CAT6 cable.

Ratings - The PMA.Evolution and the YCO14-Y. Ex-Link Converter are designed to be used together as a system. The input voltage to the YCO14-Y. Ex-Link Converter is via USB connections a 5 V - 0.25 V / +0.45V. The ambient operating temperature range of the PMA.Evolution and YCO14-Y. is 0°C to 40°C.

YCO14-Y Non-incendive Field Wiring Parameters:

V_{max} = 17.0V, I_{max} = 2.0A, C_i = 5.7µF, L_i = 0mH
V_{max} = 16.0V, I_i I_{max} = 2.5A, C_i = 5.7µF, L_i = 0mH

YCO14-Y "ic" Input Entity Parameters:

U_i = 17.0V, I_i = 2.0A, C_i = 5.7µF, L_i = 0mH
U_i = 16.0V, I_i = 2.5A, C_i = 5.7µF, L_i = 0mH

THIS CERTIFICATE MAY ONLY BE REPRODUCED IN ITS ENTIRETY AND WITHOUT CHANGE

FM Approvals LLC, 1151 Boston-Providence Turnpike, Norwood, MA 02062 USA
T: +1 (1) 781 762 4300 F: +1 (1) 781 762 9375 E-mail: information@fmapprovals.com www.fmapprovals.com

F 347 (Mar 16)

Page 2 of 4

SCHEDULE



US Certificate Of Conformity No: FM16US0226X

YCO14-Y with "ec" Input Circuit (increased safety apparatus) or outside hazardous locations:
Um = 250V

YCO14-Y Ex-Link Converter

PMA.Evolution EVO1Xab-c

- a = Up to three letters and/or numbers or blank (not critical to safety)
- b = Up to two letters and/or numbers or blank (not critical to safety)
- c = Up to five letters and/or numbers or blank (not critical to safety)

PMA.Evolution LAB1Xab-c

- a = Up to three letters and/or numbers or blank (not critical to safety)
- b = Up to two letters and/or numbers or blank (not critical to safety)
- c = Up to five letters and/or numbers or blank (not critical to safety)

13. **Specific Conditions of Use:**

YCO14-Y:

1. *The YCO14-Y Ex-Link Converter shall only be used with the PMA.Evolution.*
2. *The protective ground connectors on the PMA.Evolution and the YCO14-Y Ex-Link Converter shall be connected together using a potential equalization conductor with a cross-sectional area of at least 4 mm².*
3. *The CAT6 cable used between the PMA.Evolution and the YCO14-Y Ex-Link Converter shall be obtained from Sartorius.*
4. *The enclosure of the YCO14-Y is non-conducting and may generate an ignition-capable level of electrostatic charges under certain extreme conditions. The user shall ensure that the equipment is not installed in a location where it may be subjected to external conditions that might cause a build-up of electrostatic charges on non-conducting surfaces, additionally; cleaning of the equipment should be done only with a damp cloth.*
5. *The equipment shall be installed in such a way that it is protected against UV radiation and the entry of solid foreign objects or water capable of impairing the safety of the apparatus. Reduce the risk of mechanical damage to a minimum.*
6. *If the Ex-Link Converter YCO14-Y is installed in Zone 2, the installation must be done in such a way that the pollution degree 2 of the YCO14-Y board is guaranteed.*
7. *In Zone 2 the „USB Power“ port may not be used.*
8. *If the cable contains no Ex ic circuits, the cable must be protected against unintended release by use of Sartorius "Strain Relief for USB Cord" type YSR01.*

PMA.Evolution:

1. *The PMA.Evolution shall only be used with the YCO14-Y Ex-Link Converter*
2. *The protective ground connectors on the PMA.Evolution and the YCO14-Y Converter shall be connected together using a potential equalization conductor with a cross-sectional area of at least 4mm².*
3. *The CAT6 cable used between the PMA.Evolution and the YCO14-Y Converter shall be obtained from Sartorius.*
4. *The enclosure of the PMA.Evolution is non-conducting and may generate an ignition-capable level of electrostatic charges under certain extreme conditions. The user shall ensure that the equipment is not installed in a location where it may be subjected to external conditions that might cause a build-up of electrostatic charges on non-conducting surfaces, additionally; cleaning of the equipment should be done only with a damp cloth.*

THIS CERTIFICATE MAY ONLY BE REPRODUCED IN ITS ENTIRETY AND WITHOUT CHANGE

FM Approvals LLC. 1151 Boston-Providence Turnpike, Norwood, MA 02062 USA
T: +1 (1) 781 762 4300 F: +1 (1) 781 762 9375 E-mail: information@fmapprovals.com www.fmapprovals.com

F 347 (Mar 16)

Page 3 of 4

SCHEDULE



US Certificate Of Conformity No: FM16US0226X

Test and Assessment Procedure and Conditions:

This Certificate has been issued in accordance with FM Approvals US Certification Requirements.

Schedule Drawings

A copy of the technical documentation has been kept by FM Approvals.

Certificate History

Details of the supplements to this certificate are described below:

Date	Description
27 th April 2015	Original Issue.
22 nd September 2016	<u>Supplement 1:</u> Report Reference: 3057442 dated 22 nd September 2016. Description of the Change: Add YCO14-Y Ex-Line Converter
22 nd March 2019	<u>Supplement 2:</u> Report Reference: RR218025 dated 22 nd March 2019. Description of the Change: Delist of YCO14-Z Ex-Link Converter. Updated FM Class 3600 from 2011.
5 th October 2020	<u>Supplement 3:</u> Report Reference: RR224285 dated 5 th October 2020. Description of the Change: Change of rating of YCO14-Y Ex-Link Converter from nA to ec type protection, Label updates, Minor manual updates, Update of standards ANSI/UL 60079-0, 3610, 3611, and 3810. Changed input voltage from -0.25V to -0.25V / +0.45V.

THIS CERTIFICATE MAY ONLY BE REPRODUCED IN ITS ENTIRETY AND WITHOUT CHANGE

FM Approvals LLC, 1151 Boston-Providence Turnpike, Norwood, MA 02062 USA
T: +1 (1) 781 762 4300 F: +1 (1) 781 762 9375 E-mail: information@fmapprovals.com www.fmapprovals.com

F 347 (Mar 16)

Page 4 of 4

CERTIFICATE OF CONFORMITY

- HAZARDOUS LOCATION ELECTRICAL EQUIPMENT PER CANADIAN REQUIREMENTS**
- Certificate No:** FM16CA0124X
- Equipment:** PMA.Evolution EVO1X.....-..... and LAB1X.....-.....
(Type Reference and Name) Weighing Unit
Type YCO14-Y Ex-Link Converter
- Name of Listing Company:** Sartorius Lab Instruments GmbH & Co KG
- Address of Listing Company:** Otto-Brenner-Strasse 20
Goettingen
37079
Germany
- The examination and test results are recorded in confidential report number:
3049987 dated 27th April 2016
- FM Approvals LLC, certifies that the equipment described has been found to comply with the following Approval standards and other documents:
CSA-C22.2 No. 61010.1:R2012,
CAN/CSA-C22.2 No. 60079-0:2019, CAN/CSA C22.2 No. 60079-7:2018,
CAN/CSA-C22.2 No. 60079-11:2014
- If the sign 'X' is placed after the certificate number, it indicates that the equipment is subject to specific conditions of use specified in the schedule to this certificate.
- This certificate relates to the design, examination and testing of the products specified herein. The FM Approvals surveillance audit program has further determined that the manufacturing processes and quality control procedures in place are satisfactory to manufacture the product as examined, tested and Approved.
- Equipment Ratings:
YCO14-Y Ex-Link Converter
Associated Intrinsically Safe apparatus for connection to Class I, Division 1, Groups C and D; Associated Intrinsically Safe for connection to Class I, Zone 1, Group IIB; Non-incendive for use in Class I, Division 2,

Certificate issued by:



J.E. Marquedant
VP, Manager - Electrical Systems

5 October 2020
Date

To verify the availability of the Approved product, please refer to www.approvalguide.com

THIS CERTIFICATE MAY ONLY BE REPRODUCED IN ITS ENTIRETY AND WITHOUT CHANGE

FM Approvals LLC, 1151 Boston-Providence Turnpike, Norwood, MA 02062 USA
T: +1 (1) 781 762 4300 F: +1 (1) 781 762 9375 E-mail: information@fmapprovals.com www.fmapprovals.com

SCHEDULE



Canadian Certificate Of Conformity No: FM16CA0124X

Group C and D with Intrinsically Safe outputs for connection to Class I, Division 1, Groups C and D; Increased Safety and Intrinsically Safe apparatus for Class 1, Zone 2, Ex ec ic [ib Gb] IIB Gc with connection to Class 1, Zone 1, Group IIB; Increased safety apparatus for Class 1, Zone 2, Ex ec [ib Gb] IIB Gc for connection to Class 1, Zone 1, Group IIB hazardous locations in accordance with drawing 2021459. Ambient temperature range 0°C to 40°C. Indoor locations only.

PMA.Evolution EVO1Xab-c

PMA.Evolution LAB1Xab-c

Intrinsically Safe for Class I, Division 1, Groups C and D, hazardous locations in accordance with drawing 2021459, Intrinsically Safe for Class I, Zone 1, Ex ib IIB Gb hazardous locations in accordance with drawing 2021459. Temperature class T4 at an ambient temperature of 0°C to 40°C. Indoor locations only.

11. The marking of the equipment shall include:

YCO14-Y Ex-Link Converter

AIS Class I, Division 1, Groups C and D; [Ex ia] for Class I, Zone 1, Group IIB; NI-AIS Class I, Division 2, Group C and D T4; Ex ec ic [ib Gb] IIB T4 Gc
Ex ec [ib Gb] IIB T4 Gc
in accordance with drawing 2021459
Ambient temperature range 0°C to 40°C

PMA.Evolution EVO1Xab-c

PMA.Evolution LAB1Xab-c

Ex ia IS Class I, Division 1, Groups C and D T4; Ex ib IIB T4 Gb
in accordance with drawing 2021459
Ambient temperature range 0°C to 40°C.

12. **Description of Equipment:**

The PMA.Evolution is designed for the measurement of weight in the hazardous location. The PMA.Evolution contains the processing circuitry and has a touch enable LCD display with backlight facility. Power and data to the non-hazardous location are provided via the YCO14-Y Ex-Link Converter. All signal outputs to the YCO14-Y Ex-Link Converter are available in RS232 communications. Both the PMA.Evolution and the YCO14-Y Ex-Link Converter are housed within non-metallic enclosures. A dedicated potential equalization connection is provided on both the PMA.Evolution and the YCO14-Y Ex-Link Converter. Power and data connections between the YCO14-Y Ex-Link Converter and the PMA.Evolution are made via a multi-conductor CAT6 cable.

Ratings - The PMA.Evolution and the YCO14-Y Ex-Link Converter are designed to be used together as a system. The input voltage to the YCO14-Y Ex-Link Converter is via USB connections a 5 V - 0.25 V / +0.45V. The ambient operating temperature range of the PMA.Evolution and YCO14-Y is 0°C to 40°C.

YCO14-Y Non-incendive Field Wiring Parameters:

Vmax = 17.0V, Imax = 2.0A, Ci = 5.7µF, Li = 0mH
Vmax = 16.0V, Ii Imax = 2.5A, Ci = 5.7µF, Li = 0mH

YCO14-Y "ic" Input Entity Parameters:

THIS CERTIFICATE MAY ONLY BE REPRODUCED IN ITS ENTIRETY AND WITHOUT CHANGE

FM Approvals LLC, 1151 Boston-Providence Turnpike, Norwood, MA 02062 USA
T: +1 (1) 781 762 4300 F: +1 (1) 781 762 9375 E-mail: information@fmapprovals.com www.fmapprovals.com

SCHEDULE



Canadian Certificate Of Conformity No: FM16CA0124X

Ui = 17.0V, li = 2.0A, Ci = 5.7 μ F, Li = 0mH
Ui = 16.0V, li = 2.5A, Ci = 5.7 μ F, Li = 0mH

YCO14-Y Ex-Link Converter

PMA.Evolution EVO1Xab-c

a = Up to three letters and/or numbers or blank (not critical to safety)
b = Up to two letters and/or numbers or blank (not critical to safety)
c = Up to five letters and/or numbers or blank (not critical to safety)

PMA.Evolution LAB1Xab-c

a = Up to three letters and/or numbers or blank (not critical to safety)
b = Up to two letters and/or numbers or blank (not critical to safety)
c = Up to five letters and/or numbers or blank (not critical to safety)

13. Specific Conditions of Use:

YCO14-Y:

1. The YCO14-Y Ex-Link Converter shall only be used with the PMA.Evolution.
2. The protective ground connectors on the PMA.Evolution and the YCO14-Y Ex-Link Converter shall be connected together using a potential equalization conductor with a cross-sectional area of at least 4 mm².
3. The CAT6 cable used between the PMA.Evolution and the YCO14-Y Ex-Link Converter shall be obtained from Sartorius.
4. The enclosure of the YCO14-Y is non-conducting and may generate an ignition-capable level of electrostatic charges under certain extreme conditions. The user shall ensure that the equipment is not installed in a location where it may be subjected to external conditions that might cause a build-up of electrostatic charges on non-conducting surfaces, additionally; cleaning of the equipment should be done only with a damp cloth.
5. The equipment shall be installed in such a way that it is protected against UV radiation and the entry of solid foreign objects or water capable of impairing the safety of the apparatus. Reduce the risk of mechanical damage to a minimum.
6. If the Ex-Link Converter YCO14-Y is installed in Zone 2, the installation must be done in such a way that the pollution degree 2 of the YCO14-Y board is guaranteed.
7. In Zone 2 the "USB Power" port may not be used.
8. If the cable contains no Ex ic circuits, the cable must be protected against unintended release by use of Sartorius "Strain Relief for USB Cord" type YSR01.

PMA.Evolution:

1. The PMA.Evolution shall only be used with the YCO14-Y Ex-Link Converter
2. The protective ground connectors on the PMA.Evolution and the YCO14-Y Converter shall be connected together using a potential equalisation conductor with a cross-sectional area of at least 4 mm².
3. The CAT6 cable used between the PMA.Evolution and the YCO14-Y Converter shall be obtained from Sartorius.
4. The enclosure of the PMA.Evolution is non-conducting and may generate an ignition-capable level of electrostatic charges under certain extreme conditions. The user shall ensure that the equipment is not installed in a location where it may be subjected to external conditions that might cause a build-up of electrostatic charges on non-conducting surfaces, additionally; cleaning of the equipment should be done only with a damp cloth.

THIS CERTIFICATE MAY ONLY BE REPRODUCED IN ITS ENTIRETY AND WITHOUT CHANGE

FM Approvals LLC. 1151 Boston-Providence Turnpike, Norwood, MA 02062 USA
T: +1 (1) 781 762 4300 F: +1 (1) 781 762 9375 E-mail: information@fmapprovals.com www.fmapprovals.com

F 348 (Mar 16)

Page 3 of 4

SCHEDULE



Canadian Certificate Of Conformity No: FM16CA0124X

14. Test and Assessment Procedure and Conditions:

This Certificate has been issued in accordance with FM Approvals Canadian Certification Scheme.

15. Schedule Drawings

A copy of the technical documentation has been kept by FM Approvals.

16. Certificate History

Details of the supplements to this certificate are described below:

Date	Description
27 th April 2015	Original Issue.
22 nd September 2016	<u>Supplement 1:</u> Report Reference: 3057442 dated 22 nd September 2016. Description of the Change: Add YCO14-Y Ex-Line Converter
22 nd March 2019	<u>Supplement 2:</u> Report Reference: RR218025 dated 22 nd March 2019. Description of the Change: Delist of YCO14-Z Ex-Link Converter.
5 th October 2020	<u>Supplement 3:</u> Report Reference: RR224285 dated 5 th October 2020. Description of the Change: Change listing of YCO14-Y from nA to ec type protection. Minor manual and label updates. Update of standards CAN /CSA C22.2 No. 60079-0, CAN/CSA 60079-11 and CSA C22.2No. 61010.1 removal of CSA C22.2No.157, CSA C22.2No. 142 and CAN/CSA 60079-15.

THIS CERTIFICATE MAY ONLY BE REPRODUCED IN ITS ENTIRETY AND WITHOUT CHANGE

FM Approvals LLC. 1151 Boston-Providence Turnpike, Norwood, MA 02062 USA
T: +1 (1) 781 762 4300 F: +1 (1) 781 762 9375 E-mail: information@fmaprovals.com www.fmaprovals.com

F 348 (Mar 16)

Page 4 of 4



IECEX Certificate of Conformity

INTERNATIONAL ELECTROTECHNICAL COMMISSION IEC Certification System for Explosive Atmospheres

for rules and details of the IECEX Scheme visit www.iecex.com

Certificate No.:	IECEX FME 14.0008X	Page 1 of 4	<u>Certificate history:</u>
Status:	Current	Issue No: 7	Issue 6 (2020-10-07)
Date of Issue:	2021-05-18		Issue 5 (2019-05-16)
Applicant:	Sartorius Lab Instruments GmbH & Co. KG Otto-Brenner-Strasse 20 Goettingen Germany		Issue 4 (2019-04-25)
Equipment:	PMA.Evolution Paint Mixing Scale EVO1Xab-c and LAB1Xab-c, YCO14-Y Ex-Link Converter		Issue 3 (2019-04-11)
Optional accessory:			Issue 2 (2017-04-28)
Type of Protection:	Intrinsic Safety, Increased Safety		Issue 1 (2016-09-27)
Marking:	Ex ib IIB T4 Gb 0°C ≤ Ta ≤ 40°C – PMA. Evolution		Issue 0 (2015-04-30)
	Ex ec ic [ib Gb] IIB T4 Gc 0°C ≤ Ta ≤ 40°C – YCO14-Y Ex-Link Converter		
	Ex ec [ib Gb] IIB T4 Gc 0°C ≤ Ta ≤ 40°C – YCO14-Y Ex-Link Converter		

Approved for issue on behalf of the IECEX
Certification Body:

Andrew Was

Position:

Certification Manager

Signature:
(for printed version)

Date:

1. This certificate and schedule may only be reproduced in full.
2. This certificate is not transferable and remains the property of the issuing body.
3. The Status and authenticity of this certificate may be verified by visiting www.iecex.com or use of this QR Code.



Certificate issued by:

FM Approvals Ltd
Voyager Place
Maidenhead
Berkshire
SL6 2PJ
United Kingdom





IECEX Certificate of Conformity

Certificate No.: **IECEX FME 14.0008X**

Page 2 of 4

Date of issue: 2021-05-18

Issue No: 7

Manufacturer: **Sartorius Lab Instruments GmbH & Co. KG**
Otto-Brenner-Strasse 20
Goettingen
Germany

Additional
manufacturing
locations:

This certificate is issued as verification that a sample(s), representative of production, was assessed and tested and found to comply with the IEC Standard list below and that the manufacturer's quality system, relating to the Ex products covered by this certificate, was assessed and found to comply with the IECEX Quality system requirements. This certificate is granted subject to the conditions as set out in IECEX Scheme Rules, IECEX 02 and Operational Documents as amended

STANDARDS :

The equipment and any acceptable variations to it specified in the schedule of this certificate and the identified documents, was found to comply with the following standards

IEC 60079-0:2017 Explosive atmospheres - Part 0: Equipment - General requirements
Edition:7.0

IEC 60079-11:2011 Explosive atmospheres - Part 11: Equipment protection by intrinsic safety "i"
Edition:6.0

IEC 60079-7:2017 Explosive atmospheres - Part 7: Equipment protection by increased safety "e"
Edition:5.1

This Certificate **does not** indicate compliance with safety and performance requirements other than those expressly included in the Standards listed above.

TEST & ASSESSMENT REPORTS:

A sample(s) of the equipment listed has successfully met the examination and test requirements as recorded in:

Test Reports:

[GB/FME/ExTR14.0009/00](#)
[GB/FME/ExTR14.0009/03](#)
[GB/FME/ExTR14.0009/06](#)

[GB/FME/ExTR14.0009/01](#)
[GB/FME/ExTR14.0009/04](#)
[GB/FME/ExTR14.0009/07](#)

[GB/FME/ExTR14.0009/02](#)
[GB/FME/ExTR14.0009/05](#)

Quality Assessment Report:

[GB/FME/QAR13.0020/05](#)



IECEX Certificate of Conformity

Certificate No.: **IECEX FME 14.0008X**

Page 3 of 4

Date of issue: 2021-05-18

Issue No: 7

EQUIPMENT:

Equipment and systems covered by this Certificate are as follows:

The PMA.Evolution is designed for the measurement of weight in the hazardous location. The PMA.Evolution contains the processing circuitry and has a touch enable LCD display with backlight facility. Power and data to the non-hazardous location are provided via the YCO14-Y Ex-Link Converter. All signal outputs to the PMA.Evolution are available in RS232 communications. Both the PMA.Evolution and the Ex-Link Converters are housed within non-metallic enclosures. A dedicated potential equalization connection is provided on both the PMA.Evolution and the Ex-Link Converter. Power and data connections between the Ex-Link Converter and the PMA. Evolution are made via a multi-conductor CAT6 cable.

The PMA.Evolution is available in two versions the EVO1X and the LAB1X.

Input voltage via USB connections a 5 V - 0.25 V/ +0.45V.

Um = 250 V.

"ic" Input Entity Parameters:

Ui = 17.0V, Ii = 2.0A, Ci = 5.7µF, Li = 0mH

Ui = 16.0V, Ii = 2.5A, Ci = 5.7µF, Li = 0mH

0°C ≤ Ta ≤ 40°C

SPECIFIC CONDITIONS OF USE: YES as shown below:

YCO14-Y Link Converter and PMA. Evolution Paint Mixing Scale EVO1Xab-c and LAB1Xab.

1. The PMA.Evolution shall only be used with the YCO14-Y Ex-Link Converter.
2. The protective ground connectors on the PMA.Evolution and the YCO14-Y Ex-Link Converter shall be connected together using a potential equalisation conductor with a cross-sectional area of at least 4 mm².
3. The CAT6 cable used between the PMA.Evolution and the YCO14-Y Ex-Link Converter shall be obtained from Sartorius.

PMA. Evolution Paint Mixing Scale EVO1Xab-c and LAB1Xab.

1. The enclosure of the PMA.Evolution is non-conducting and may generate an ignition-capable level of electrostatic charges under certain extreme conditions. The user shall ensure that the equipment is not installed in a location where it may be subjected to external conditions that might cause a build-up of electrostatic charges on non-conducting surfaces, additionally; cleaning of the equipment should be done only with a damp cloth.

YCO14-Y Link Converter.

1. The enclosure of the YCO14-Y is non-conducting and may generate an ignition-capable level of electrostatic charges under certain extreme conditions. The user shall ensure that the equipment is not installed in a location where it may be subjected to external conditions that might cause a build-up of electrostatic charges on non-conducting surfaces, additionally; cleaning of the equipment should be done only with a damp cloth.
2. The YCO14-Y shall be installed in such a way that it is protected against UV radiation and the entry of solid foreign objects or water capable of impairing the safety of the apparatus. Reduce the risk of mechanical damage to a minimum.
3. If the Ex-Link Converter YCO14-Y is installed in Zone 2, the installation must be done in such a way that the pollution degree 2 of the YCO14-Y board is guaranteed.
4. In Zone 2 the "USB Power" port may not be used.
5. If the cable contains no Ex ic circuits, the cable must be protected against unintended release by use of Sartorius "Strain Relief for USB Cord" type YSR01.



IECEX Certificate of Conformity

Certificate No.: **IECEX FME 14.0008X**

Page 4 of 4

Date of issue: 2021-05-18

Issue No: 7

DETAILS OF CERTIFICATE CHANGES (for issues 1 and above)

Update to labels and safety instructions to add UKCA certification details. No other changes.



IECEX Certificate of Conformity

INTERNATIONAL ELECTROTECHNICAL COMMISSION IEC Certification System for Explosive Atmospheres

for rules and details of the IECEx Scheme visit www.iecex.com

Certificate No.:	IECEX FME 15.0004X	Page 1 of 4	<u>Certificate history:</u>
Status:	Current	Issue No: 6	Issue 5 (2020-10-07)
Date of Issue:	2021-05-19		Issue 4 (2020-06-04)
Applicant:	Sartorius Lab Instruments GmbH & Co. KG Otto-Brenner-Straße 20 Göttingen 37079 Germany		Issue 3 (2019-04-17)
Equipment:	PMA. Evolution Paint Mixing Scale - EVO1Yab-c and LAB1Yab-c		Issue 2 (2017-07-25)
Optional accessory:			Issue 1 (2016-02-18)
Type of Protection:	increased safety 'ec' & Intrinsic safety 'ic'		Issue 0 (2015-07-20)
Marking:	Ex ec ic IIB T4 Gc 0°C ≤ Ta ≤ 40°C		

Approved for issue on behalf of the IECEx
Certification Body:

Andrew Was

Position:

Certification Manager

Signature:
(for printed version)

Date:

1. This certificate and schedule may only be reproduced in full.
2. This certificate is not transferable and remains the property of the issuing body.
3. The Status and authenticity of this certificate may be verified by visiting www.iecex.com or use of this QR Code.



Certificate issued by:

FM Approvals Ltd
Voyager Place
Maidenhead
Berkshire
SL6 2PJ
United Kingdom





IECEX Certificate of Conformity

Certificate No.: **IECEX FME 15.0004X**

Page 2 of 4

Date of issue: 2021-05-19

Issue No: 6

Manufacturer: **Sartorius Lab Instruments GmbH & Co. KG**
Otto-Brenner-Straße 20
Göttingen 37079
Germany

Additional
manufacturing
locations:

This certificate is issued as verification that a sample(s), representative of production, was assessed and tested and found to comply with the IEC Standard list below and that the manufacturer's quality system, relating to the Ex products covered by this certificate, was assessed and found to comply with the IECEx Quality system requirements. This certificate is granted subject to the conditions as set out in IECEx Scheme Rules, IECEx 02 and Operational Documents as amended

STANDARDS :

The equipment and any acceptable variations to it specified in the schedule of this certificate and the identified documents, was found to comply with the following standards

IEC 60079-0:2017 Explosive atmospheres - Part 0: Equipment - General requirements
Edition:7.0

IEC 60079-11:2011 Explosive atmospheres - Part 11: Equipment protection by intrinsic safety "i"
Edition:6.0

IEC 60079-7:2017 Explosive atmospheres - Part 7: Equipment protection by increased safety "e"
Edition:5.1

This Certificate **does not** indicate compliance with safety and performance requirements other than those expressly included in the Standards listed above.

TEST & ASSESSMENT REPORTS:

A sample(s) of the equipment listed has successfully met the examination and test requirements as recorded in:

Test Reports:

[GB/FME/ExTR15.0002/00](#)
[GB/FME/ExTR15.0002/03](#)
[GB/FME/ExTR15.0002/06](#)

[GB/FME/ExTR15.0002/01](#)
[GB/FME/ExTR15.0002/04](#)

[GB/FME/ExTR15.0002/02](#)
[GB/FME/ExTR15.0002/05](#)

Quality Assessment Report:

[GB/FME/QAR13.0020/05](#)



IECEX Certificate of Conformity

Certificate No.: **IECEX FME 15.0004X**

Page 3 of 4

Date of issue: 2021-05-19

Issue No: 6

EQUIPMENT:

Equipment and systems covered by this Certificate are as follows:

The PMA.Evolution Weigh Scale Platform is designed for the measurement of weight in the hazardous location. The PMA.Evolution contains the processing circuitry and has a touch enable LCD display with backlight facility. Power and data are provided via a USB cable.

$U_{in} = +5V_{dc}$

$U_m = 20 V_{dc}$.

SPECIFIC CONDITIONS OF USE: YES as shown below:

1. The enclosure of the PMA. Evolution EVO1Yab-c and LAB1Yab-c are non-metallic and shall not be used where UV light or radiation may impinge on the enclosure.
2. The PMA. Evolution EVO1Yab-c and LAB1Yab-c shall be installed in such a way that it is protected against the entry of solid foreign objects or water capable of impairing the safety of the apparatus. Reduce the risk of mechanical damage to a minimum.
3. The enclosure of the PMA. Evolution EVO1Yab-c and LAB1Yab-c are non-conducting and may generate an ignition-capable level of electrostatic charges under certain extreme conditions. The user shall ensure that the equipment is not installed in a location where it may be subjected to external conditions that might cause a build-up of electrostatic charges on non-conducting surfaces, additionally; cleaning of the equipment should be done only with a damp cloth.



IECEX Certificate of Conformity

Certificate No.: **IECEX FME 15.0004X**

Page 4 of 4

Date of issue: 2021-05-19

Issue No: 6

DETAILS OF CERTIFICATE CHANGES (for issues 1 and above)

Update to labels and safety instructions to add UKCA certification details. No other changes

Sartorius Lab Instruments GmbH & Co. KG
Otto-Brenner-Strasse 20
37079 Goettingen, Germany

Phone: +49 551 308 0
www.sartorius.com

The information and figures contained in these instructions correspond to the version date specified below.

Sartorius reserves the right to make changes to the technology, features, specifications and design of the equipment without notice.

Masculine or feminine forms are used to facilitate legibility in these instructions and always simultaneously denote all genders.

Copyright notice:

These instructions, including all components, are protected by copyright.

Any use beyond the limits of the copyright law is not permitted without our approval.

This applies in particular to reprinting, translation and editing irrespective of the type of media used.

Last updated:

11 | 2022

© 2022
Sartorius Lab Instruments GmbH & Co. KG
Otto-Brenner-Str. 20
37079 Goettingen, Germany

JW | Publication No.: WEV6003db22111