

PMA.Quality for Ex zone 2 (Model PMA7501-Y)

Paint Mixing Scales



- Display lock function | communication symbol | Scrolling text function
- Integrated hardware test
- Recalculation (Correction of formulation over-pours)
- Calculation by factor function (0.25 – 5.0 liter)
- Housing resistant to solvents
- Round stainless steel pan, wrap around design
- Protected against overload
- Raised display adjustable (removable)
- May be used in areas exposed to the risk of fire (TÜV NORD CERT)

Technical Data

Weighing capacity
999.95 g | 7500 g

Readability
0.05 g | 0.1 g

Tara range (subtractive)
-999.95 g | -7500 g

Data interface
RS232

Data output
9-pin socket

Display
Large 14-segment LCD display

Housing (WxDxH)
233 x 340 x 385 mm

Weight
approx. 3.2 kg

Allowable operating temperature
0 ... +40 °C

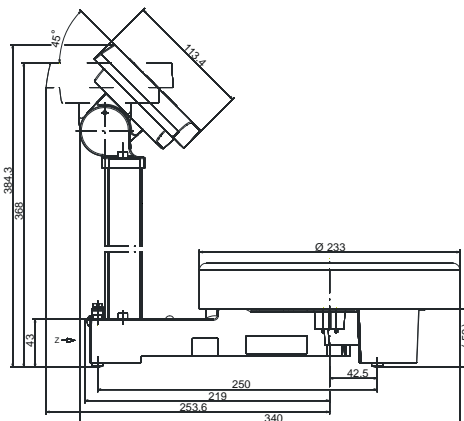
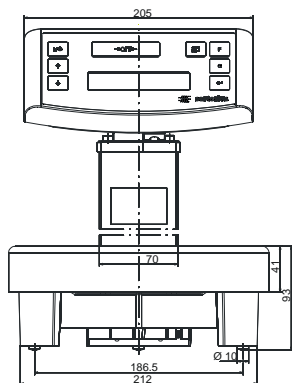
Power voltage
Power supply provided with rating for specific countries 100-240 V, 50-60 Hz

Consists of
Sartorius PMA.Quality Ex Zone 2, Power supply

Optional equipment
In-use cover for display,
In-use cover for pan

Other Models
Non ex

Dimension drawing



Specifications subject to change without notice

Current status: October 2011