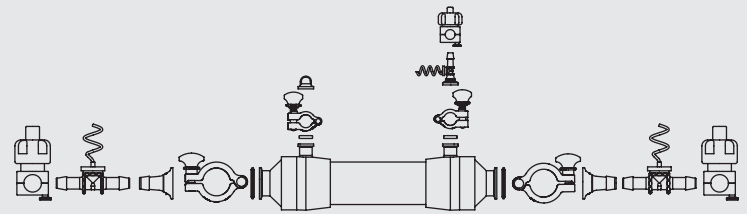


Sartorius Hollow Fiber TFF Flow Connector Kit | Mini Bioproducer

Hardware Selected to Connect Your Specific Sartorius Hollow Fiber TFF Module to a Crossflow Assembly



Executive Summary

Hollow Fiber TFF Flow Connector Kit | Mini Bioproducer connects your Hollow Fiber TFF Module | Mini Bioproducer to your assembly tubing. The kits come with PendoTECH pressure sensors that enable monitoring of transmembrane pressure (TMP).

Unique Selling Points

Hardware selected to connect your Hollow Fiber TFF Module | Mini Bioproducer to a crossflow assembly. The kits include, as needed:

- Clamps
- Pinch valves
- Reducers
- Silicone gaskets
- Caps
- Single-use pressure sensors to enable monitoring of transmembrane pressure (TMP)

Relevant Applications

Sartorius Hollow Fiber TFF Modules are designed for biopharmaceutical processing. They can be used for the following applications:

Upstream

- Cell harvest
- Cell or lysate clarification

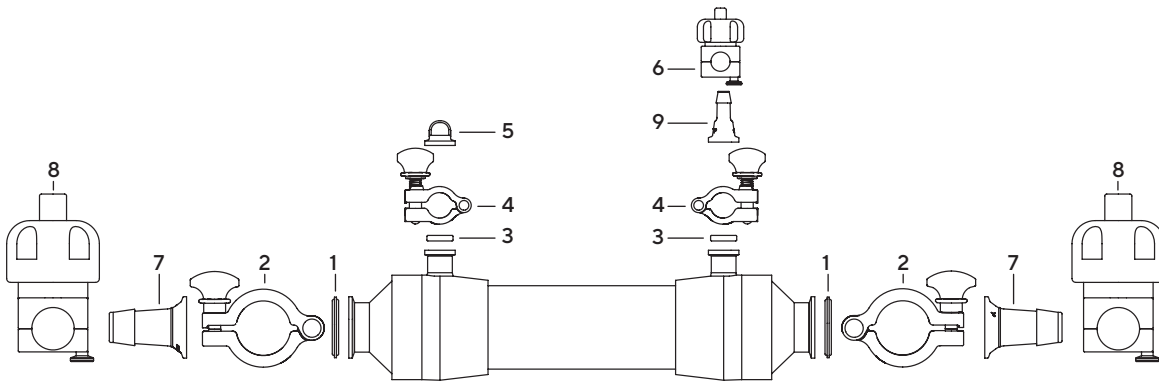
Downstream

- Concentration
- Diafiltration

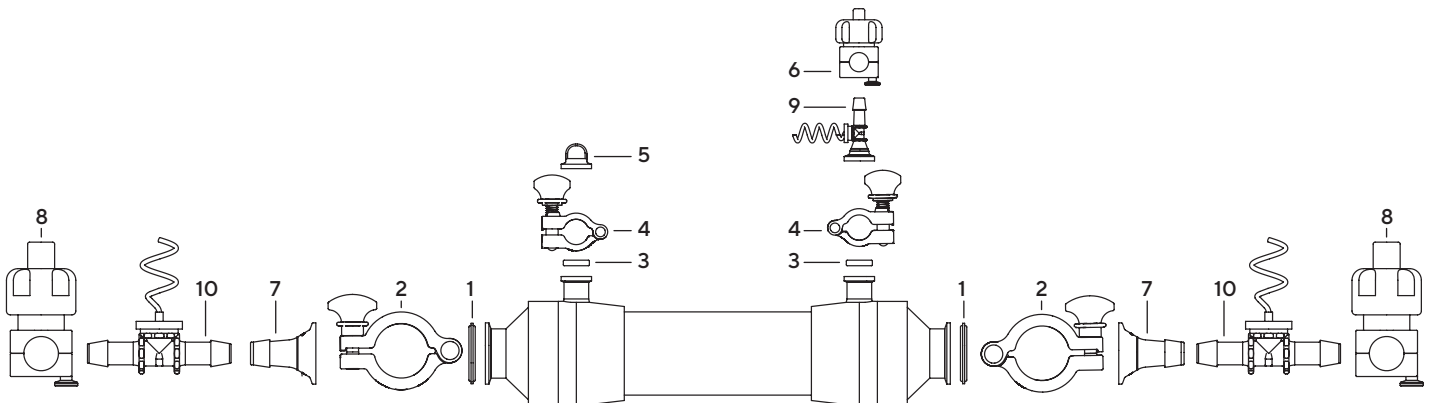
Technical Specifications

Attribute	Item	Material
In fluid contact	Gaskets	Platinum-cured silicone
In fluid contact	Reducers and caps	Polypropylene AF
In fluid contact	Sensors	Polysulfone
Not in fluid contact	Pinch Valves	Stainless steel
Not in fluid contact	Clamps	Glass Reinforced White Nylon

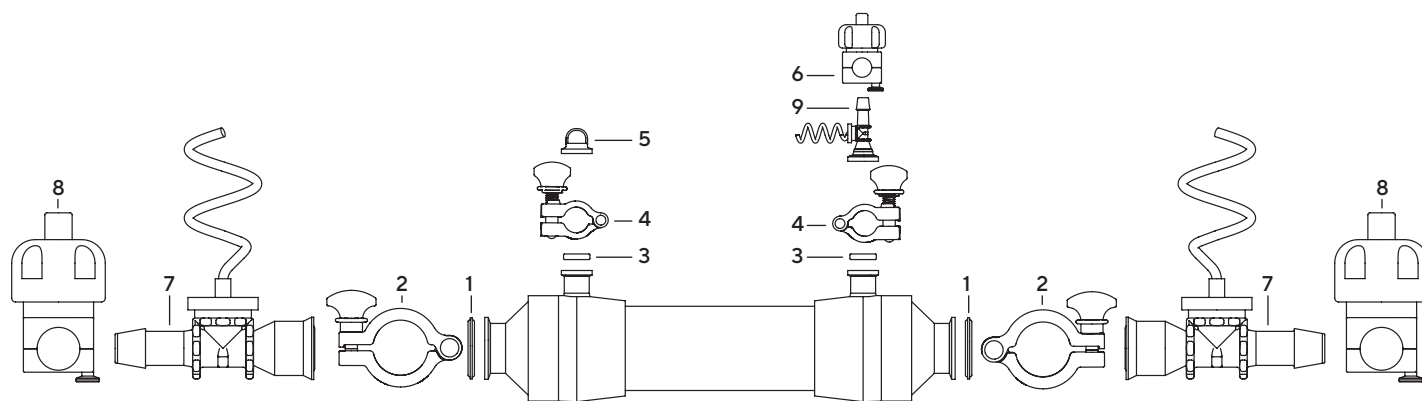
Sartorius Hollow Fiber Flow Connector Kit | Mini Bioproducer Without Sensors



Sartorius Hollow Fiber Flow Connector Kit | Mini Bioproducer With Sensors 20 L/min



Sartorius Hollow Fiber Flow Connector Kit | Mini Bioproducer With Sensors 40 L/min



Specification	Item Number	Description	Use	Quantity
Without Sensors	1	1.5 inch TC Silicone Gaskets	For Retentate Feed	2
	2	1.5 inch TC Clamps	For Retentate Feed	2
	3	0.75 inch TC Silicone Gaskets	For Permeate	2
	4	0.75 inch TC Clamps	For Permeate	2
	5	0.75 inch TC Cap	For Permeate	1
	6	0.375 inch Pinch Valve	For Permeate	1
	7	1.5 inch TC x 1 inch Barb (Reducers)	For Retentate Feed	2
	8	1 inch Pinch Valve	For Retentate	2
	9	0.75 inch TC x 0.375 inch Barb (Reducers)	For Permeate	1
With Sensors 20 L/min	1	1.5 inch TC Silicone Gaskets	For Retentate Feed	2
	2	1.5 inch TC Clamps	For Retentate Feed	2
	3	0.75 inch TC Silicone Gaskets	For Permeate	2
	4	0.75 inch TC Clamps	For Permeate	2
	5	0.75 inch TC Cap	For Permeate	1
	6	0.375 inch Pinch Valve	For Permeate	1
	7	1.5 inch TC x 0.75 inch Barb (Reducers)	For Retentate Feed	2
	8	0.75 inch Pinch Valve	For Retentate Feed	2
	9	Single-use Pressure Sensor, 0.75 inch TC to TC to 0.375 inch Barb	For Permeate	1
	10	Single-use Pressure Sensors, 0.75 inch Barb	For Retentate Feed	2
With Sensors 40 L/min	1	1.5 inch TC Silicone Gaskets	For Retentate Feed	2
	2	1.5 inch TC Clamps	For Retentate Feed	2
	3	0.75 inch TC Silicone Gaskets	For Permeate	2
	4	0.75 inch TC Clamps	For Permeate	2
	5	0.75 inch TC Cap	For Permeate	1
	6	0.375 inch Pinch Valve	For Permeate	1
	7	Single-use Pressure Sensors 1 inch TC x 1 inch Barb	For Retentate Feed	2
	8	1 inch Pinch Valve	For Retentate Feed	2
	9	Single-use Pressure Sensors 0.75 inch TC x 0.375 inch Barb	For Permeate	1

Note

May use retentate Pinch Valve to generate back pressure during operation of Hollow Fiber TFF Module.

Caution

Do not operate Hollow Fiber TFF Module without pressure monitoring capabilities.

Recommendation

Contact Pressure Sensor manufacturer, PendoTECH, for pressure monitor requirements.

Ordering Information


	Single-use Line, Steamer Line, Re-use Line		
Specification	Without Sensors	With Sensors 20 L/min	With Sensors 40 L/min
Order Code	FCMPRKIT-00001	FCMPRKIT-S2001	FCMPRKIT-S4001

Germany

Sartorius Stedim Biotech GmbH
August-Spindler-Strasse 11
37079 Goettingen
Phone +49 551 308 0

USA

Sartorius Stedim North America Inc.
565 Johnson Avenue
Bohemia, NY 11716
Toll-Free +1 800 368 7178

 For further contacts, visit
www.sartorius.com