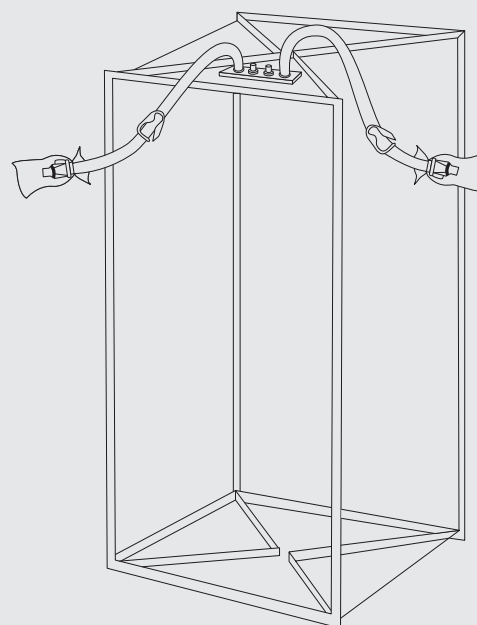


Standard Flexel[®] 3D Bioprocessing Bags for Drums

For US and Canada



Product Information

Flexel[®] 3D standard bags are designed for processing, storage and transport of large volume biopharmaceutical solutions in drums. They provide a single-use alternative to traditional stainless steel vessels in a large variety of applications.

Cost reduction and Risk reduction

Single-use Systems used in biopharmaceutical manufacturing improve process sterility as they reduce the risk of cross contamination from batch-to-batch and product-to-product. Costly and time consuming CIP & SIP operations are minimized. This results not only in significant cost savings within the entire manufacturing process, but also in the optimization of capacity utilization.

Applications

The multi-layer film construction of different materials provides a strong structure with low gas permeability and high chemical resistance for the reliable processing of a wide range of biopharmaceutical fluids in a variety of applications such as:

- Buffers and Media filtration & storage
- Bulk harvest
- Product pooling
- Fraction collection
- Sample collection
- Bulk intermediate filtration & hold
- Final product storage and transport

Flexibility

Standard Flexel® bags for drums are available as stand-alone bags with Silicone tubing, stand-alone bags with C-Flex® tubing and Filter & Bag assemblies incorporating a variety of filter and bag sizes allowing easy adoption to process volume and media. Multiple configurations that also integrate thermoweldable TPE tubing are provided for flexible incorporation into your process. Thus, sterile connection and disconnection devices like the Biowelder® and the Biosealer® can be used to allow aseptic connections and disconnections from and to another process step.

Female luer fittings with a needle free sampling port may be used for easy and convenient sampling, quick connects may be attached directly or adapted to a variety of connections and tri-clamps that are widely used in a production environment assure maximum flexibility.

Security of Supply

Sartorius Stedim Biotech has established multiple manufacturing sites with consistent industrial processes. The expertise of designing Single-Use solutions combined with collaborative supplier management and customer demand planning assures a state of the art product supported by a robust supply chain that can cope with strong market growth.

Validation

Flexel® bags have been qualified applying the most comprehensive and innovative test regimes. Biological, chemical and physical tests combined with extensive extractable testing provide users of Flexel® with data representing an exceptionally wide range of fluids in a variety of processing conditions.

Full compliance with ISO11137 allows for a validated claim of sterility on all Sartorius Stedim Biotech single use products with a sterility assurance level of 10^{-6} over the shelf life.

Quality Assurance

Sartorius Stedim Biotech Quality Systems for Single Use Products follow applicable ISO and FDA regulations for Medical Devices. Design, Manufacture and Sterilization processes are conducted under conditions that mirror biopharmaceutical operations and meet cGMP requirements.

Flexel® 3D bags are tested for compliance to:

- USP <87>: Biological reactivity tests, in Vitro
- USP <88>: Biological reactivity tests, in Vivo
- USP <661>: Tests for plastic
- USP <788> and E.P. 2.9.19: Particulate
- ISO 11737: Bioburden
- ISO 11137: Sterilization of Medical devices

Supply Chain

The majority of Standard Flexel® 3D bags for drum systems are available from stock.

Features and Benefits

| | |
|---------------------------------------|-----------------------------------------------|
| Multiple manufacturing sites | High security of supply |
| All connections extensively qualified | Reliable and robust |
| Full compliance with ISO11137 | Meets stringent sterility assurance standards |
| Standard design | Most designs available from stock |
| Various bag & filter sizes | High flexibility |

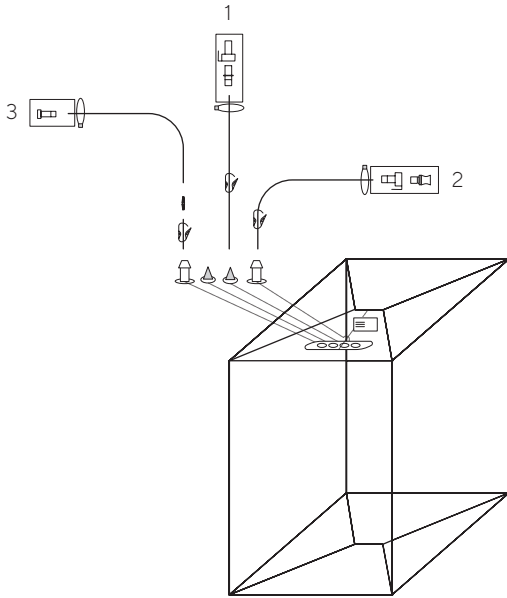
Technical Specifications

Standard Flexel® 3D for Drum

| | |
|---------------|------------------------------------------------------------------------------------------|
| Bag chamber | Multiple layer film construction, including EVOH gas barrier layer, LLDPE Contact Layer |
| Tubing | Silicone, TPE |
| Fittings | MPX Couplings, Female Luer Lock, MPC Male Coupling, Tri-Clamp, Needle free sampling port |
| Filters | Sartopore® 2 Gamma Capsule |
| Volumes | 50 L – 560 L |
| Sterilization | by Gamma Irradiation |

Ordering Information

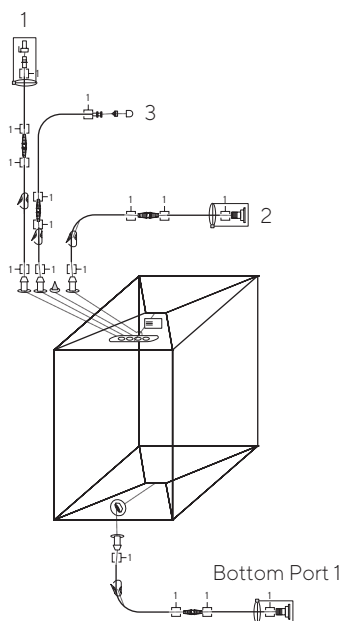
1. Standard Flexel® 3D Bags for Drum With Silicone Tubes



| Part Number | Description | Tubing | Top Port 1 | Top Port 2 | Top Port 3 | Top Port 4 | Qty Box |
|-------------|--------------------------------------|----------|--------------------------------------------------------|-----------------------------------------------------------|----------------------------------------------|------------|-----------|
| FXB207614 | Flexel® 50 L for Drum - Silicone | Silicone | ½" × ¾" × 0.75 m (30") ½" MPX male + sealing cap | ½" × ¾" × 0.75 m (30") ½" MPX female + sealing plug | ⅛" × ¼" × 0.45 m (30") TPE + sealing plug | Plug | 10 |
| FXB207615 | Flexel® 100 L for Drum - Silicone | Silicone | ½" × ¾" × 0.75 m (30") ½" MPX male + sealing cap | ½" × ¾" × 0.75 m (30") ½" MPX female + sealing plug | ⅛" × ¼" × 0.45 m (30") TPE + sealing plug | Plug | 10 |
| FXB207616 | Flexel® 200 L for Drum - Silicone | Silicone | ½" × ¾" × 0.75 m (30") ½" MPX male + sealing cap | ½" × ¾" × 0.75 m (30") ½" MPX female + sealing plug | ⅛" × ¼" × 0.45 m (30") TPE + sealing plug | Plug | 5 |
| FXB207630 | Flexel® 560 L for Drum - Silicone | Silicone | ½" × ¾" × 0.75 m (30") ½" MPX male + sealing cap | ½" × ¾" × 0.75 m (30") ½" MPX female + sealing plug | ⅛" × ¼" × 0.45 m (30") TPE + sealing plug | Plug | 4 |

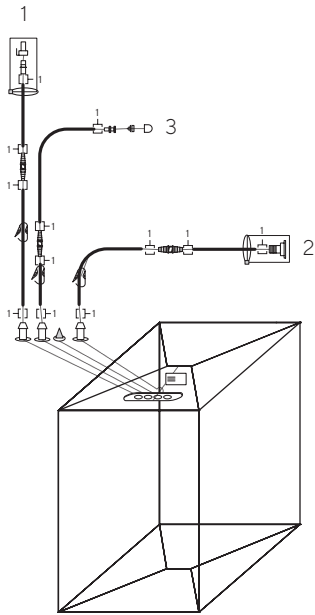
2. Standard Flexel® 3D Bags for Drum With Silicone & TPE Tubes

2.1. Standard Flexel® 3D bags for drum with silicone & TPE tubes with side bottom drain



| Part Number | Description | Tubing | Top Port 1 | Top Port 2 | Top Port 3 | Bottom Port 1 | Qty Box |
|-------------|---------------------------------|------------------------------------|-------------------------------------------------------|-----------------------------------------|-------------------------------------------------------------------|-----------------------------------------|-----------|
| FXB110917 | Flexel® 50 L for Drum - TPE | Silicone + Clear C-Flex® 374 | ½" × ¾" × 1.5 m (60") ½" MPX male + sealing cap | ½" × ¾" × 1.5 m (60") 1-½" Tri-Clamp | ⅝" × ¼" × 1.1 m (40") LL female + needle free sampling port | ½" × ¾" × 1.5 m (60") 1-½" Tri-Clamp | 5 |
| FXB110919 | Flexel® 100 L for Drum - TPE | Silicone + Clear C-Flex® 374 | ½" × ¾" × 1.5 m (60") ½" MPX male + sealing cap | ½" × ¾" × 1.5 m (60") 1-½" Tri-Clamp | ⅝" × ¼" × 1.1 m (40") LL female + needle free sampling port | ½" × ¾" × 1.5 m (60") 1-½" Tri-Clamp | 5 |
| FXB110920 | Flexel® 200 L for Drum - TPE | Silicone + Clear C-Flex® 374 | ½" × ¾" × 1.5 m (60") ½" MPX male + sealing cap | ½" × ¾" × 1.5 m (60") 1-½" Tri-Clamp | ⅝" × ¼" × 1.1 m (40") LL female + needle free sampling port | ½" × ¾" × 1.5 m (60") 1-½" Tri-Clamp | 5 |
| FXB111626 | Flexel® 300 L for Drum - TPE | Silicone + Clear C-Flex® 374 | ½" × ¾" × 1.5 m (60") ½" MPX male + sealing cap | ½" × ¾" × 1.5 m (60") 1-½" Tri-Clamp | ⅝" × ¼" × 1.1 m (40") LL female + needle free sampling port | ½" × ¾" × 1.5 m (60") 1-½" Tri-Clamp | 5 |
| FXB111631 | Flexel® 370 L for Drum - TPE | Silicone + Clear C-Flex® 374 | ½" × ¾" × 1.5 m (60") ½" MPX male + sealing cap | ½" × ¾" × 1.5 m (60") 1-½" Tri-Clamp | ⅝" × ¼" × 1.1 m (40") LL female + needle free sampling port | ½" × ¾" × 1.5 m (60") 1-½" Tri-Clamp | 5 |
| FXB110921 | Flexel® 560 L for Drum - TPE | Silicone + Clear C-Flex® 374 | ½" × ¾" × 1.5 m (60") ½" MPX male + sealing cap | ½" × ¾" × 1.5 m (60") 1-½" Tri-Clamp | ⅝" × ¼" × 1.1 m (40") LL female + needle free sampling port | ½" × ¾" × 1.5 m (60") 1-½" Tri-Clamp | 2 |

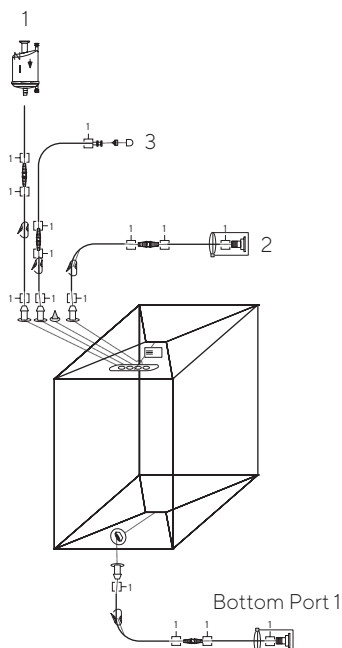
2.2. Standard Flexel® 3D bags for drum with silicone & TPE tubes



| Part Number | Description | Tubing | Top Port 1 | Top Port 2 | Top Port 3 | Bottom Port 1 | Qty Box |
|-------------|---------------------------------|------------------------------------|------------------------------------------------------------------------------------------------------------|-----------------------------------------------------------------------------------------------|-----------------------------------------------------------------------------------------------------------|-----------------|-----------|
| FXB110922 | Flexel® 50 L for Drum - TPE | Silicone + Clear C-Flex® 374 | $\frac{1}{2}$ " \times $\frac{3}{4}$ " \times 1.5 m (60") $\frac{1}{2}$ " MPX male + sealing cap | $\frac{1}{2}$ " \times $\frac{3}{4}$ " \times 1.5 m (60") 1- $\frac{1}{2}$ " Tri-Clamp | $\frac{1}{8}$ " \times $\frac{1}{4}$ " \times 1.1 m (40") LL female + needle free sampling port | No bottom drain | 5 |
| FXB110923 | Flexel® 100 L for Drum - TPE | Silicone + Clear C-Flex® 374 | $\frac{1}{2}$ " \times $\frac{3}{4}$ " \times 1.5 m (60") $\frac{1}{2}$ " MPX male + sealing cap | $\frac{1}{2}$ " \times $\frac{3}{4}$ " \times 1.5 m (60") 1- $\frac{1}{2}$ " Tri-Clamp | $\frac{1}{8}$ " \times $\frac{1}{4}$ " \times 1.1 m (40") LL female + needle free sampling port | No bottom drain | 5 |
| FXB110924 | Flexel® 200 L for Drum - TPE | Silicone + Clear C-Flex® 374 | $\frac{1}{2}$ " \times $\frac{3}{4}$ " \times 1.5 m (60") $\frac{1}{2}$ " MPX male + sealing cap | $\frac{1}{2}$ " \times $\frac{3}{4}$ " \times 1.5 m (60") 1- $\frac{1}{2}$ " Tri-Clamp | $\frac{1}{8}$ " \times $\frac{1}{4}$ " \times 1.1 m (40") LL female + needle free sampling port | No bottom drain | 5 |

3. Standard Flexel® 3D Bags for Drum With Silicone & TPE Tubes & Sartopore® 2 Gamma Midicaps®

3.1. Standard Flexel® 3D bags for drum with silicone & TPE tubes with side bottom drain & Sartopore® 2 Gamma Midicaps® 0.2 µm (50 L to 370 L)

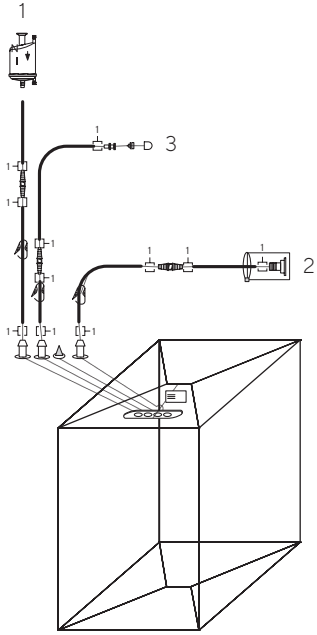


| Part Number | Description | Tubing | Top Port 1 | Top Port 2 | Top Port 3 | Bottom Port 1 | Qty Box |
|-------------|--------------------------------------------------------------------------------------------------------------|---------------------------------|-----------------------------------------------------------------------------------------------------------------------------------------------|-----------------------|-------------------------------------------------------------------|-----------------------------------------|-----------|
| FXB110954 | Flexel® 50 L for Drum <ul style="list-style-type: none"> ▪ TPE ▪ Sartopore® 2 Gamma | Silicone + Clear C-Flex® 374 | ½" x ¾" x 1.5 m (60") Sartopore® 2 Gamma, 1-½" Tri-Clamp Midicaps® size 7, 0.2 µm; filter inlet 1.5" sanitary flange 500 cm² | ½" x ¾" x 1.5 m (60") | ⅝" x ¼" x 1.1 m (40") LL female + needle free sampling port | ½" x ¾" x 1.5 m (60") 1-½" Tri-Clamp | 5 |
| FXB110958 | Flexel® 100 L for Drum <ul style="list-style-type: none"> ▪ TPE ▪ Sartopore® 2 Gamma | Silicone + Clear C-Flex® 374 | ½" x ¾" x 1.5 m (60") Sartopore® 2 Gamma, 1-½" Tri-Clamp Midicaps® size 8, 0.2 µm; filter inlet 1.5" sanitary flange 1,000 cm² | ½" x ¾" x 1.5 m (60") | ⅝" x ¼" x 1.1 m (40") LL female + needle free sampling port | ½" x ¾" x 1.5 m (60") 1-½" Tri-Clamp | 5 |
| FXB110960 | Flexel® 200 L for Drum <ul style="list-style-type: none"> ▪ TPE ▪ Sartopore® 2 Gamma | Silicone + Clear C-Flex® 374 | ½" x ¾" x 1.5 m (60") Sartopore® 2 Gamma, 1-½" Tri-Clamp Midicaps® size 9, 0.2 µm; filter inlet 1.5" sanitary flange 2,000 cm² | ½" x ¾" x 1.5 m (60") | ⅝" x ¼" x 1.1 m (40") LL female + needle free sampling port | ½" x ¾" x 1.5 m (60") 1-½" Tri-Clamp | 5 |
| FXB111629 | Flexel® 300 L for Drum <ul style="list-style-type: none"> ▪ TPE ▪ Sartopore® 2 Gamma | Silicone + Clear C-Flex® 374 | ½" x ¾" x 1.5 m (60") Sartopore® 2 Gamma, 1-½" Tri-Clamp Midicaps® size 9, 0.2 µm; filter inlet 1.5" sanitary flange 2,000 cm² | ½" x ¾" x 1.5 m (60") | ⅝" x ¼" x 1.1 m (40") LL female + needle free sampling port | ½" x ¾" x 1.5 m (60") 1-½" Tri-Clamp | 2 |
| FXB111633 | Flexel® 370 L for Drum <ul style="list-style-type: none"> ▪ TPE ▪ Sartopore® 2 Gamma | Silicone + Clear C-Flex® 374 | ½" x ¾" x 1.5 m (60") Sartopore® 2 Gamma, 1-½" Tri-Clamp Midicaps® size 9, 0.2 µm; filter inlet 1.5" sanitary flange 2,000 cm² | ½" x ¾" x 1.5 m (60") | ⅝" x ¼" x 1.1 m (40") LL female + needle free sampling port | ½" x ¾" x 1.5 m (60") 1-½" Tri-Clamp | 2 |

3.2. Standard Flexel® 3D bags for drum with silicone & TPE tubes with side bottom drain
& Sartopore® 2 Gamma Midicaps® 0.1 µm (50 L to 370 L)

| Part Number | Description | Tubing | Top Port 1 | Top Port 2 | Top Port 3 | Bottom Port 1 | Qty Box |
|-------------|-----------------------------------------------------------------------------------------------------------------|---------------------------------|--------------------------------------------------------------------------------------------------------------------------------|-----------------------------------------|-------------------------------------------------------------------|-----------------------------------------|-----------|
| FXB110969 | Flexel® 50 L for Drum <ul style="list-style-type: none"> ▪ TPE ▪ Sartopore® 2 Gamma | Silicone + Clear C-Flex® 374 | ½" × ¾" × 1.5 m (60") filter inlet 1.5" sanitary flange Sartopore® 2 Gamma, Midicaps® size 7, 0.1 µm; 500 cm² | ½" × ¾" × 1.5 m (60") 1-½" Tri-Clamp | ⅝" × ¼" × 1.1 m (40") LL female + needle free sampling port | ½" × ¾" × 1.5 m (60") 1-½" Tri-Clamp | 5 |
| FXB110971 | Flexel® 100 L for Drum <ul style="list-style-type: none"> ▪ TPE ▪ Sartopore® 2 Gamma | Silicone + Clear C-Flex® 374 | ½" × ¾" × 1.5 m (60") filter inlet 1.5" sanitary flange Sartopore® 2 Gamma, Midicaps® size 8, 0.1 µm; 1,000 cm² | ½" × ¾" × 1.5 m (60") 1-½" Tri-Clamp | ⅝" × ¼" × 1.1 m (40") LL female + needle free sampling port | ½" × ¾" × 1.5 m (60") 1-½" Tri-Clamp | 5 |
| FXB110973 | Flexel® 200 L for Drum <ul style="list-style-type: none"> ▪ TPE ▪ Sartopore® 2 Gamma | Silicone + Clear C-Flex® 374 | ½" × ¾" × 1.5 m (60") filter inlet 1.5" sanitary flange Sartopore® 2 Gamma, Midicaps® size 9, 0.1 µm; 2,000 cm² | ½" × ¾" × 1.5 m (60") 1-½" Tri-Clamp | ⅝" × ¼" × 1.1 m (40") LL female + needle free sampling port | ½" × ¾" × 1.5 m (60") 1-½" Tri-Clamp | 5 |
| FXB111630 | Flexel® 300 L for Drum <ul style="list-style-type: none"> ▪ TPE ▪ Sartopore® 2 Gamma | Silicone + Clear C-Flex® 374 | ½" × ¾" × 1.5 m (60") filter inlet 1.5" sanitary flange Sartopore® 2 Gamma, Midicaps® size 9, 0.1 µm; 2,000 cm² | ½" × ¾" × 1.5 m (60") 1-½" Tri-Clamp | ⅝" × ¼" × 1.1 m (40") LL female + needle free sampling port | ½" × ¾" × 1.5 m (60") 1-½" Tri-Clamp | 2 |
| FXB111634 | Flexel® 370 L for Drum <ul style="list-style-type: none"> ▪ TPE ▪ Sartopore® 2 Gamma | Silicone + Clear C-Flex® 374 | ½" × ¾" × 1.5 m (60") filter inlet 1.5" sanitary flange Sartopore® 2 Gamma, Midicaps® size 9, 0.1 µm; 2,000 cm² | ½" × ¾" × 1.5 m (60") 1-½" Tri-Clamp | ⅝" × ¼" × 1.1 m (40") LL female + needle free sampling port | ½" × ¾" × 1.5 m (60") 1-½" Tri-Clamp | 2 |

3.3. Standard Flexel® 3D bags for drum with silicone & TPE tubes & Sartopore® 2 Gamma Midicaps® 0.2 µm (50 L to 200 L)



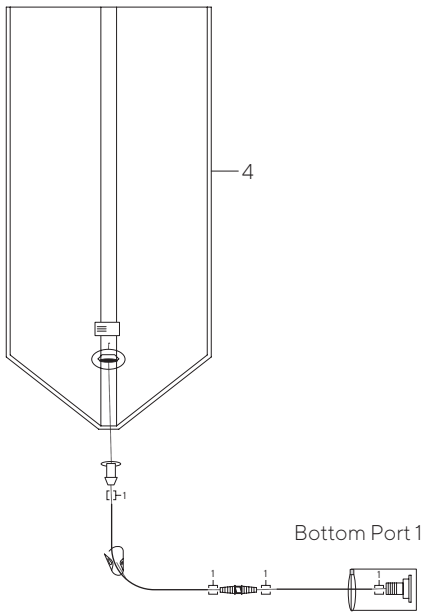
| Part Number | Description | Tubing | Top Port 1 | Top Port 2 | Top Port 3 | Bottom Port 1 | Qty Box |
|-------------|--------------------------------------------------------------------------------------------------------------|---------------------------------|-----------------------------------------------------------------------------------------------------------------------------------------------|-----------------------|-------------------------------------------------------------------|-----------------|-----------|
| FXB110955 | Flexel® 50 L for Drum <ul style="list-style-type: none"> ▪ TPE ▪ Sartopore® 2 Gamma | Silicone + Clear C-Flex® 374 | ½" × ¾" × 1.5 m (60") Sartopore® 2 Gamma, 1-½" Tri-Clamp Midicaps® size 7, 0.2 µm; filter inlet 1.5" sanitary flange 500 cm² | ½" × ¾" × 1.5 m (60") | ⅝" × ¼" × 1.1 m (40") LL female + needle free sampling port | No bottom drain | 5 |
| FXB110959 | Flexel® 100 L for Drum <ul style="list-style-type: none"> ▪ TPE ▪ Sartopore® 2 Gamma | Silicone + Clear C-Flex® 374 | ½" × ¾" × 1.5 m (60") Sartopore® 2 Gamma, 1-½" Tri-Clamp Midicaps® size 8, 0.2 µm; filter inlet 1.5" sanitary flange 1,000 cm² | ½" × ¾" × 1.5 m (60") | ⅝" × ¼" × 1.1 m (40") LL female + needle free sampling port | No bottom drain | 5 |
| FXB110961 | Flexel® 200 L for Drum <ul style="list-style-type: none"> ▪ TPE ▪ Sartopore® 2 Gamma | Silicone + Clear C-Flex® 374 | ½" × ¾" × 1.5 m (60") Sartopore® 2 Gamma 1-½" Tri-Clamp Midicaps® size 9, 0.2 µm; filter inlet 1.5" sanitary flange 2,000 cm² | ½" × ¾" × 1.5 m (60") | ⅝" × ¼" × 1.1 m (40") LL female + needle free sampling port | No bottom drain | 5 |

3.3. Standard Flexel® 3D bags for drum with silicone & TPE tubes & Sartopore® 2 Gamma Midicaps® 0.1 µm (50 L to 200 L)

| Part Number | Description | Tubing | Top Port 1 | Top Port 2 | Top Port 3 | Bottom Port 1 | Qty Box |
|-------------|-----------------------------------------------------------------------------------------------------------------|---------------------------------|-----------------------------------------------------------------------------------------------------------------------------------------------|-----------------------|-------------------------------------------------------------------|-----------------|-----------|
| FXB110970 | Flexel® 50 L for Drum <ul style="list-style-type: none"> ▪ TPE ▪ Sartopore® 2 Gamma | Silicone + Clear C-Flex® 374 | ½" × ¾" × 1.5 m (60") Sartopore® 2 Gamma, 1-½" Tri-Clamp Midicaps® size 7, 0.1 µm; filter inlet 1.5" sanitary flange 500 cm² | ½" × ¾" × 1.5 m (60") | ½" × ¼" × 1.1 m (40") LL female + needle free sampling port | No bottom drain | 5 |
| FXB110972 | Flexel® 100 L for Drum <ul style="list-style-type: none"> ▪ TPE ▪ Sartopore® 2 Gamma | Silicone + Clear C-Flex® 374 | ½" × ¾" × 1.5 m (60") Sartopore® 2 Gamma, 1-½" Tri-Clamp Midicaps® size 8, 0.1 µm; filter inlet 1.5" sanitary flange 1,000 cm² | ½" × ¾" × 1.5 m (60") | ½" × ¼" × 1.1 m (40") LL female + needle free sampling port | No bottom drain | 5 |
| FXB110974 | Flexel® 200 L for Drum <ul style="list-style-type: none"> ▪ TPE ▪ Sartopore® 2 Gamma | Silicone + Clear C-Flex® 374 | ½" × ¾" × 1.5 m (60") Sartopore® 2 Gamma 1-½" Tri-Clamp Midicaps® size 9, 0.1 µm; filter inlet 1.5" sanitary flange 2,000 cm² | ½" × ¾" × 1.5 m (60") | ½" × ¼" × 1.1 m (40") LL female + needle free sampling port | No bottom drain | 5 |

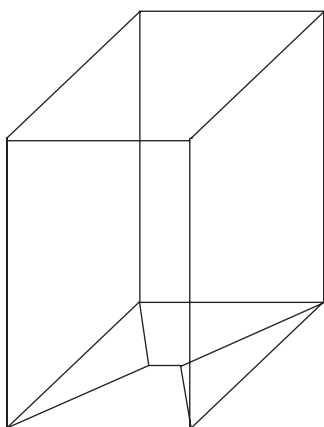
4. Standard Flexel® Tank Liners for Drum

4.1. Standard Sterile Flexel® tank liners for drum with side bottom drain



| Part Number | Description | Tubing | Bottom Port 1 | Qty Box |
|-------------|-----------------------------|------------------------------|-----------------------------------------|-----------|
| FXB110931 | Flexel® 30 L liner - TPE | Silicone + Clear C-Flex® 374 | ½" × ¾" × 1.5 m (60") 1-½" Tri-Clamp | 10 |
| FXB110934 | Flexel® 50 L liner - TPE | Silicone + Clear C-Flex® 374 | ½" × ¾" × 1.5 m (60") 1-½" Tri-Clamp | 10 |
| FXB110936 | Flexel® 100 L liner - TPE | Silicone + Clear C-Flex® 374 | ½" × ¾" × 1.5 m (60") 1-½" Tri-Clamp | 10 |
| FXB110937 | Flexel® 200 L liner - TPE | Silicone + Clear C-Flex® 374 | ½" × ¾" × 1.5 m (60") 1-½" Tri-Clamp | 10 |
| FXB111636 | Flexel® 300 L liner - TPE | Silicone + Clear C-Flex® 374 | ½" × ¾" × 1.5 m (60") 1-½" Tri-Clamp | 10 |
| FXB111637 | Flexel® 370 L liner - TPE | Silicone + Clear C-Flex® 374 | ½" × ¾" × 1.5 m (60") 1-½" Tri-Clamp | 10 |
| FXB110939 | Flexel® 560 L liner - TPE | Silicone + Clear C-Flex® 374 | ½" × ¾" × 1.5 m (60") 1-½" Tri-Clamp | 5 |
| FXB110940 | Flexel® 1,000 L liner - TPE | Silicone + Clear C-Flex® 374 | ½" × ¾" × 1.5 m (60") 1-½" Tri-Clamp | 5 |

4.2. Standard Flexel® tank liners for drum




| Part Number | Description | Sterility | Qty Box |
|-------------|-----------------------|-------------|-----------|
| FXB207551 | Flexel® 50 L liner | Non sterile | 20 |
| FXB207552 | Flexel® 100 L liner | Non sterile | 20 |
| FXB207553 | Flexel® 200 L liner | Non sterile | 20 |
| FXB207554 | Flexel® 300 L liner | Non sterile | 20 |
| FXB207555 | Flexel® 370 L liner | Non sterile | 20 |
| FXB207556 | Flexel® 560 L liner | Non sterile | 10 |
| FXB207557 | Flexel® 750 L liner | Non sterile | 10 |
| FXB207051 | Flexel® 1,000 L liner | Non sterile | 10 |
| FXB207559 | Flexel® 50 L liner | Sterile | 20 |
| FXB207560 | Flexel® 100 L liner | Sterile | 20 |
| FXB207561 | Flexel® 200 L liner | Sterile | 20 |
| FXB207562 | Flexel® 300 L liner | Sterile | 20 |
| FXB207563 | Flexel® 370 L liner | Sterile | 20 |
| FXB207564 | Flexel® 560 L liner | Sterile | 10 |
| FXB207565 | Flexel® 750 L liner | Sterile | 10 |
| FXB207084 | Flexel® 1,000 L liner | Sterile | 10 |

Germany

Sartorius Stedim Biotech GmbH
August-Spindler-Strasse 11
37079 Goettingen
Phone +49 551 308 0

USA

Sartorius Stedim North America Inc.
565 Johnson Avenue
Bohemia, NY 11716
Toll-Free +1 800 368 7178

 For further contacts, visit
www.sartorius.com

Specifications subject to change without notice.

© 2023 Sartorius Stedim FMT S.A.S., Avenue de Jouques - Zone Industrielle Les Paluds - C.S. 91051, 13781 Aubagne Cedex, France

Publication No.: SPT2010am | Order No.: 85034-535-08 | Status: 05 | 04 | 2023