

TakeOne®

Simplified Sampling Solutions for Stainless Steel Equipment



Product Information

TakeOne® aseptic sampling solutions have been designed to integrate seamlessly with stainless steel processes and collect perfectly representative samples with no risk of false-positives for each process step and scale. TakeOne® products are delivered fully assembled, in individual packs, gamma sterilized, integrity tested and ready for immediate use allowing you to bypass parts washing, equipment prep and assembly with confidence.

Features and Benefits

- Ensures representative sampling, avoiding dead-leg zones
- Cost-effective with a ready-to-use, single-use design
- Suitable for all stages, from R&D to GMP manufacturing
- Offers a diverse range of collection containers for different assays, including bags, bottles, tubes, and valves for syringe access
- Available in a variety of fluid contact materials and container sizes
- Designed for ease of use and ergonomic handling

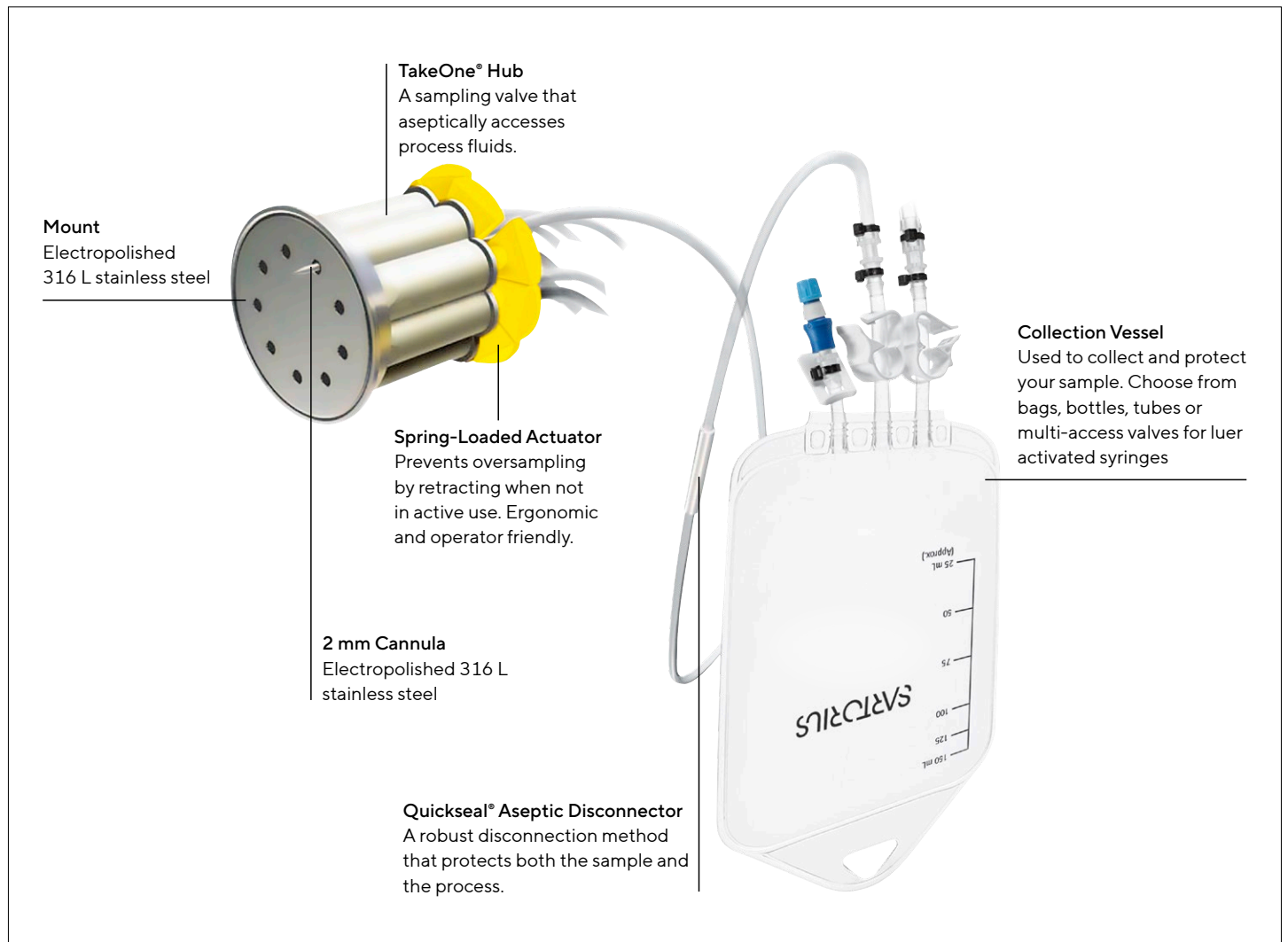
Introduction

TakeOne® Aseptic Sampling Solutions for Stainless Steel Equipment

Aseptic sampling is a principal component of an effective microbial control program. Not all samples are equal and we don't treat them that way. Whether it is sterility, bioburden, endotoxin testing or routine process monitoring, TakeOne® has been designed to meet your processes demands.

This aseptic sampling solution has been engineered to take representative samples, giving exact results with no risk of false-positives thanks to its pre-assembled, sterile and closed design. It collects samples for analysis while protecting the process fluid from adventitious agents.

Figure 1: Key Components



Robust, Safe for Operators And Protective of Process Integrity

Careful selection of the materials of construction means TakeOne® sampling solutions are engineered to perform. TakeOne® connects to the sampling point with a 316L stainless steel tank mount that was selected to optimize safety and robustness. Steel-to-steel fittings are secure and trusted during thermal cycling and high pressure, especially steam-in-place. Any other material would be a compromise on safety, susceptible to leaking and be difficult to validate.

Figure 2: Three Fitting Formats



25 mm* | up to 3 sampling lines



1.5" TC | up to 5 sampling lines

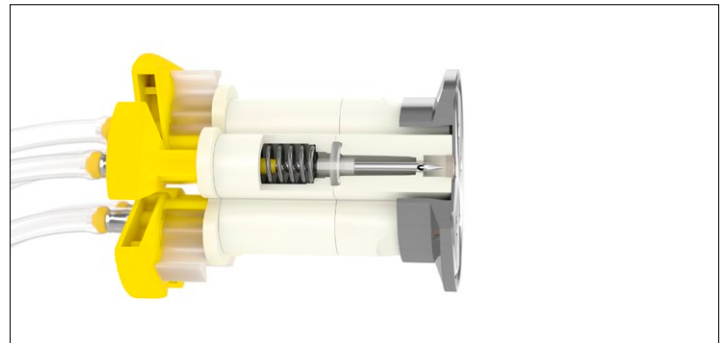


2" TC | up to 9 sampling lines

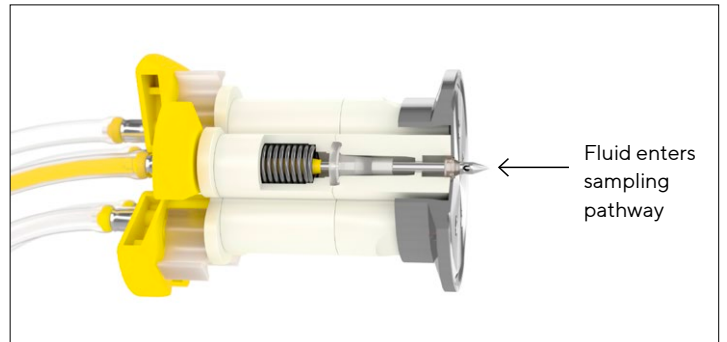
Completely single-use which eliminate the risk of contamination from improper or ineffective cleaning and incorrect assembly of reusable parts.

- Ready-to-use and has no spare, reused parts and is easy to install, manage and use. Eliminate the risk of production delays or batch contaminations from lost or damaged parts.
- TakeOne® sampling solutions are assembled in ISO 7 certified cleanrooms in accordance with applicable cGMP guidelines. Each unit undergoes a variety of in-process quality inspections including 100% visual inspection and 100% leak testing (pressure decay) of each sampling line ensures proper assembly and integrity of the internal aseptic chamber.
- The cleverly designed, internal aseptic chamber houses the sampling needle and remains intact, preserving the aseptic sampling pathway, after dozens of actuations, protecting the production process from contamination.

Figure 3: Aseptic Chamber



Before | after actuation



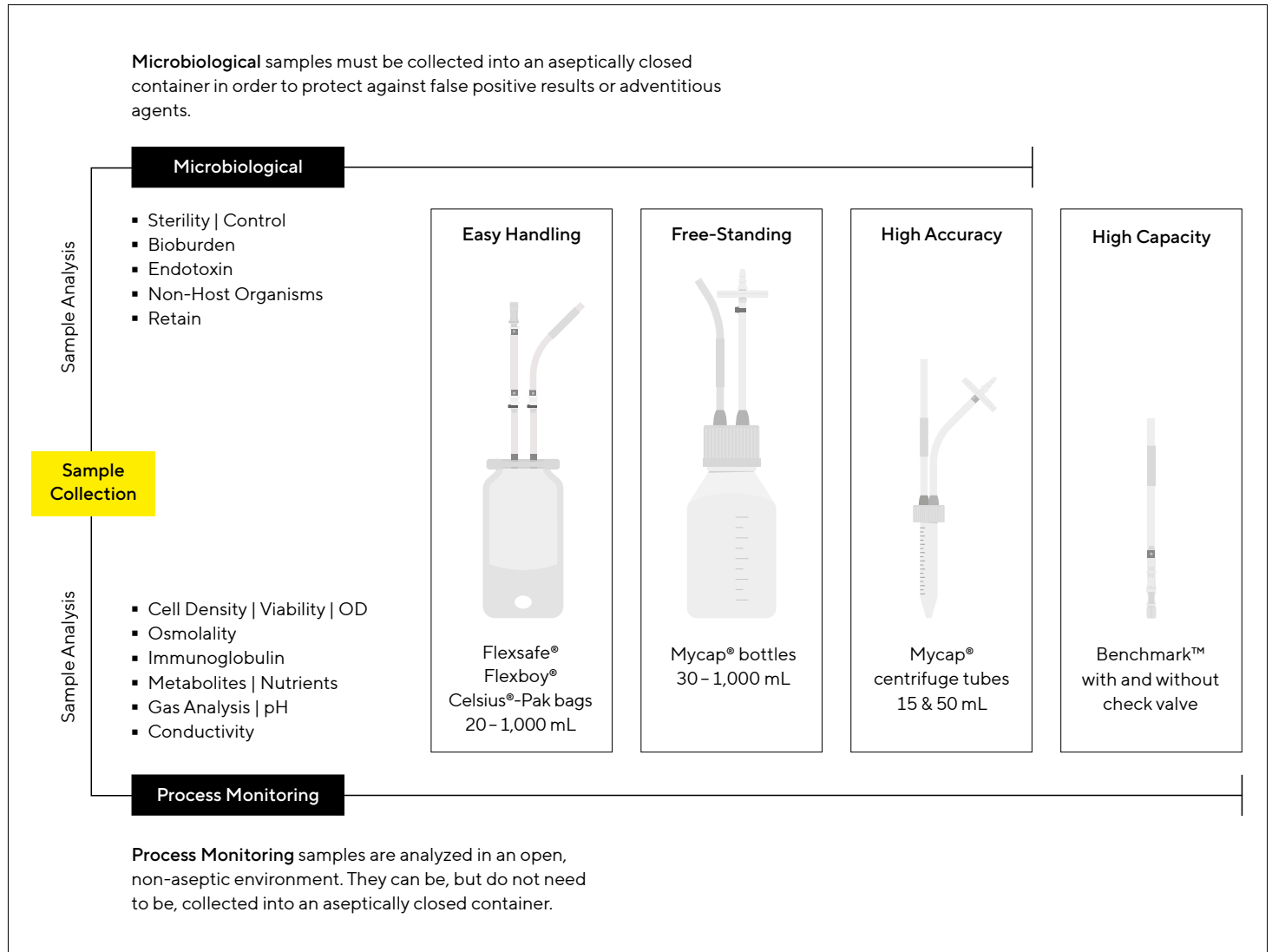
During actuation

*25 mm TakeOne® fitting requires an accessory to adapt the vessel's native, threaded port to make it tri clamp compatible. Our adaptors are 316L stainless steel. Once installed, they can remain in place through use and cleaning | sanitization procedures.

Simply Smarter Sampling

Categorization by sample type reveals the ideal balance between cost per sample and sampling capacity.

Figure 4: Sampling Container Selection Based on Assay Type





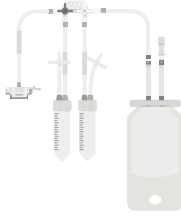
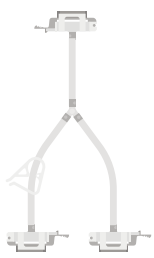


Collection Container Types

TakeOne® products are available with a diverse variety of container types in different fluid contact materials, volumes and formats to accommodate various process fluids, assay types and handling preferences.

Sartorius' wide range includes bags in 3 different films, multi-access sampling valves, as well as, bottles and tubes that feature Mycap®, a robust aseptic closure suitable for all biopharmaceutical applications. Designs are available in both TPE and silicone tubing variations.

Table 1: TakeOne® Flex Is Available in a Wide Range of Types, Materials, and Volumes

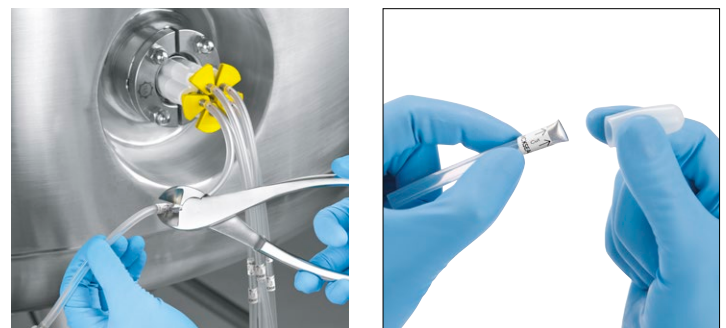
					
Flexsafe®, Flexboy®, Celsius® Bags*	Mycap® Centrifuge Tubes	Mycap® Bottles	Benchmark™ Needleless Access Site	Stopcock Manifolds, incl. Purge Bag	2-Way Splitter
20 30 50 100 150 250 500 1,000 mL	15 50 mL	30 60 125 250 500 1,000 mL	With without check valve	2 5 collection vessels	Aseptic connections
PE EVA	PS PP	PETG (other materials available upon request)	SIL PP SAN	Per your selection	TPE SIL

*Per your bag brand selection

Quick and Easy Disconnect

Each TakeOne® sampling line includes a Quickseal® aseptic disconnect. Once the sample has been collected, operators easily cut the aluminum collar with a light and portable hand-held cutting tool. Quickseal® patented technology protects the sample and process vessel from contamination. A Quickseal® silicone protective cap then shields the cut collar.

Figure 5: How to Use Quickseal®



Integrating TakeOne® Into Your Processes

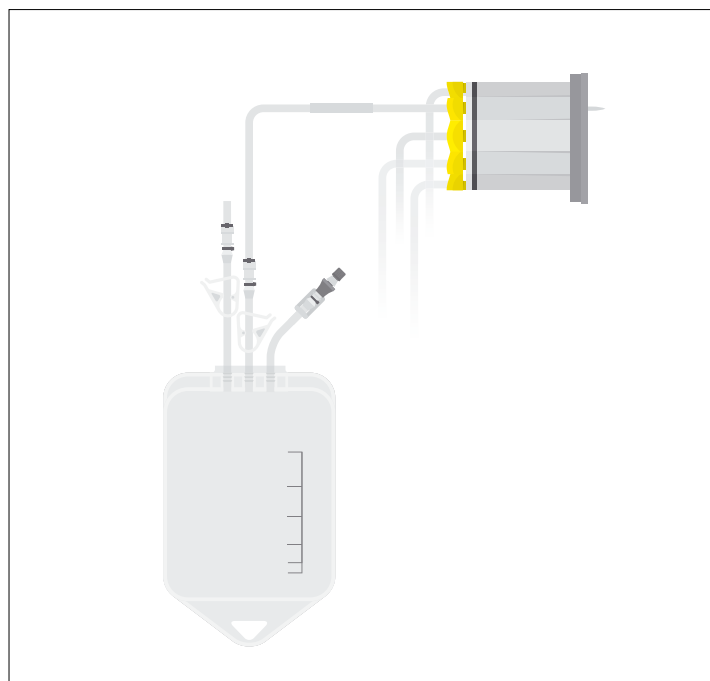
TakeOne® sampling solutions for stainless steel equipment are available in two flexible families to ensure all of your varied process needs are met from R&D to Process Development and full scale GMP production.

1 TakeOne® Standard to Order – Pre-Designed Configurations – A Complete Sampling Solution

TakeOne® Pre-Designed Configurations. Select and go, with aseptic sampling solutions that have sampling lines and collection containers preinstalled to the hub and ready for immediate installation on your vessel. You can save time, avoid handling needles and benefit from factory installed and pressure tested assemblies.

Our broad portfolio of individual and manifolded collection containers is available across a wide variety of standard Sartorius designs you can select from. We also offer custom configurations tailored to meet the exact needs of your sampling program. Please contact your local Sartorius representative for a custom configuration from our design services offerings.

Figure 6: TakeOne® Standard to Order



2 TakeOne® Flex – A modular Approach to Sampling

Sartorius recognizes that sampling can be complex and process-specific. TakeOne® Flex was created to meet these widely varied process demands and take the complexity out of sample planning by offering a modular range of container formats, volumes, and fluid contact materials and sampling hubs. Plan and adapt to any process situation by maintaining just a few part numbers (PN), and create tens or thousands of different sampling solutions while still optimizing for the most accurate and repeatable results using the precise volume the sample requires.

This plug and play approach allows you to quickly react on demand with point-of-use configuration that provide an ideal solution for unplanned or variable sampling needs. React with TakeOne® Flex by simply selecting and connecting the appropriate sample collection container at the moment the sample is required.

Sampling Hubs

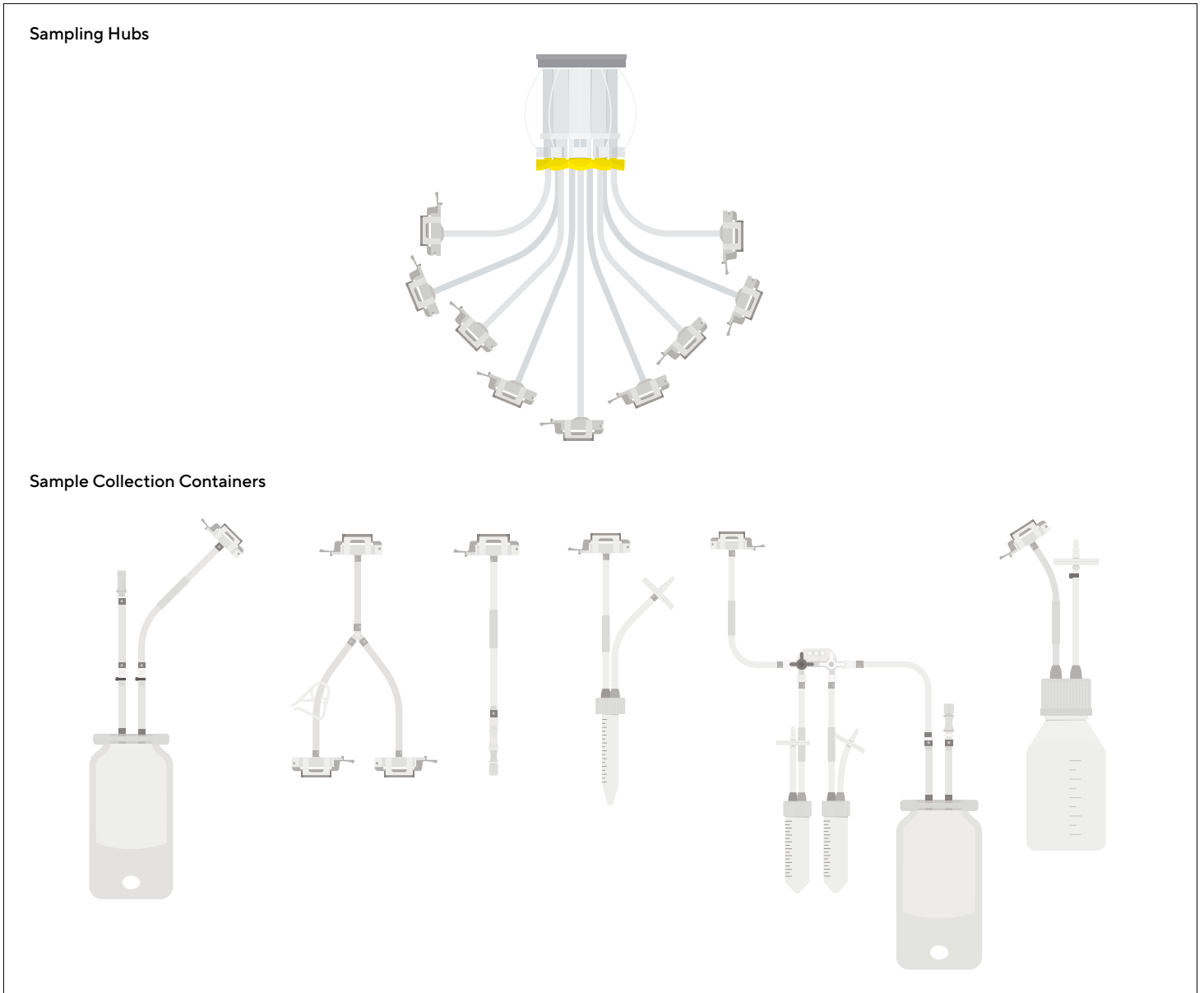
Sartorius offers the TakeOne® aseptic sampling hubs with aseptic connectors to provide configuration flexibility at your point-of-use.

Save time and avoid handling needles – sampling lines have already been pre-assembled in the body of the device which is ready for immediate installation on your vessel. The genderless AseptiQuik® connectors ensure you a fast and easy sampling container assembly.

Sample Collection Containers

Our complete portfolio of individual or manifolded collection containers are available decoupled, so they can be aseptically connected to sampling hubs when and as needed, providing near endless flexibility to your sampling program.

Figure 7: Example of TakeOne® Flex Products



Easily Reduce and Expand

Avoid overwhelming your inventory management program. Maintain just a PN's and configure tens or thousands of different sampling solutions right at the point-of-use.

TakeOne® Flex Unique Configuration Possibilities

With just a few sample container part numbers, you can create a multitude of different sampling configurations for each sampling hub used:

The number of different sampling container arrangements that can be configured with a sampling hub based on the number of sampling lines available, per fitting size, and the number of different sampling containers ordered.

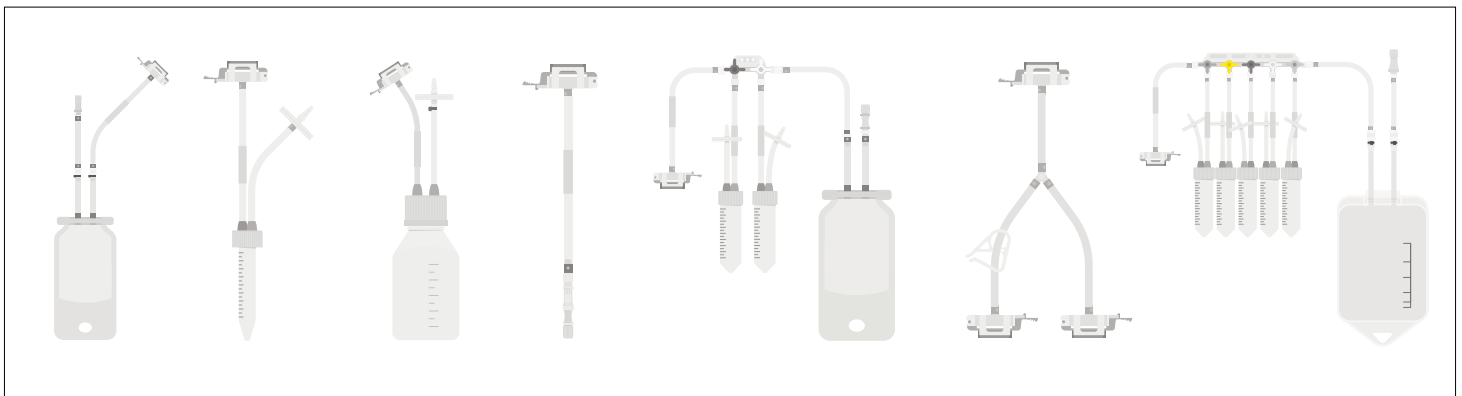
Example: 2 different sampling container PN's and 1 × 3-line 25 mm hub allows you to configure up to 6 different sampling solutions.

10 different sampling containers PN's and 1 × 9-line 2" hub PN- allows you to configure up to 92,377 different sampling solutions.

Table 2: Possible Configuration Variations

Quantity of unique collection container PN's on-hand	25 mm 3 Lines	1.5" TC 5 Lines	2" TC 9 Lines
2	6	20	54
4	24	125	714
6	120	461	5,004
8	336	1,286	24,309
10	720	3,002	92,377

Figure 10: Examples of Collection Container PN's



3 Design Services

When you need something fine-tuned to your exact needs, we also offer custom configurations tailored to meet the exact needs of your sampling program.

Configured to Order

Easily configure a sampling device with your Sartorius representative.

- Qualified design space
- Select from well characterized components
- Tubing materials
- Fitting types
- Collection containers

Engineered to Order

Fully engineered solutions tailored to your needs.

- Application-based expertise to help optimize your process
- Modify standard features or build completely customized designs
- A wider variety of components offered:
 - Alternative tube materials
 - Collection vessels
 - Fittings
 - Etc.

Technical Specifications

Equipment Interface | Mounting Mechanism

25 mm port Ingold® port	Up to 3 sampling lines
1.5" Sanitary TC close coupled	Up to 5 sampling lines
2" Sanitary TC close coupled	Up to 9 sampling lines

Operating Parameters

Max SIP	1 cycle @60 mins at 43 psi 3 bar 143.7 °C
SIP cycles after actuation	10 cycles @60 mins at 29 psi 2 bar 134 °C
Actuations per line	40
Temperature range	-55 °C to 300 °C
Operating temperature range	-20 °C to 50 °C (configuration dependent)
Device burst pressure	129 psi 8.9 bar before actuation 105 psi 7.3 bar after actuation
Recommended max operating pressure	45 psi 3.1 bar at 25 °C (do not overfill or pressurize collection vessels)

Manufacturing

Manufacturing environment	ISO 7
Sterilization method	Gamma irradiation (25 kGy - 45 kGy)
Device release criteria	100% leak-tested (pressure decay)

Materials of Contact (Device Only)

Septum	Platinum-cured silicone
Equipment interface	316L stainless steel, electropolished (< 15 µin Ra)
2 mm cannula	316L stainless steel, electropolished (< 15 µin Ra)
Tubing material	Silicone (Pt) or C-Flex® (374)

Ordering Information

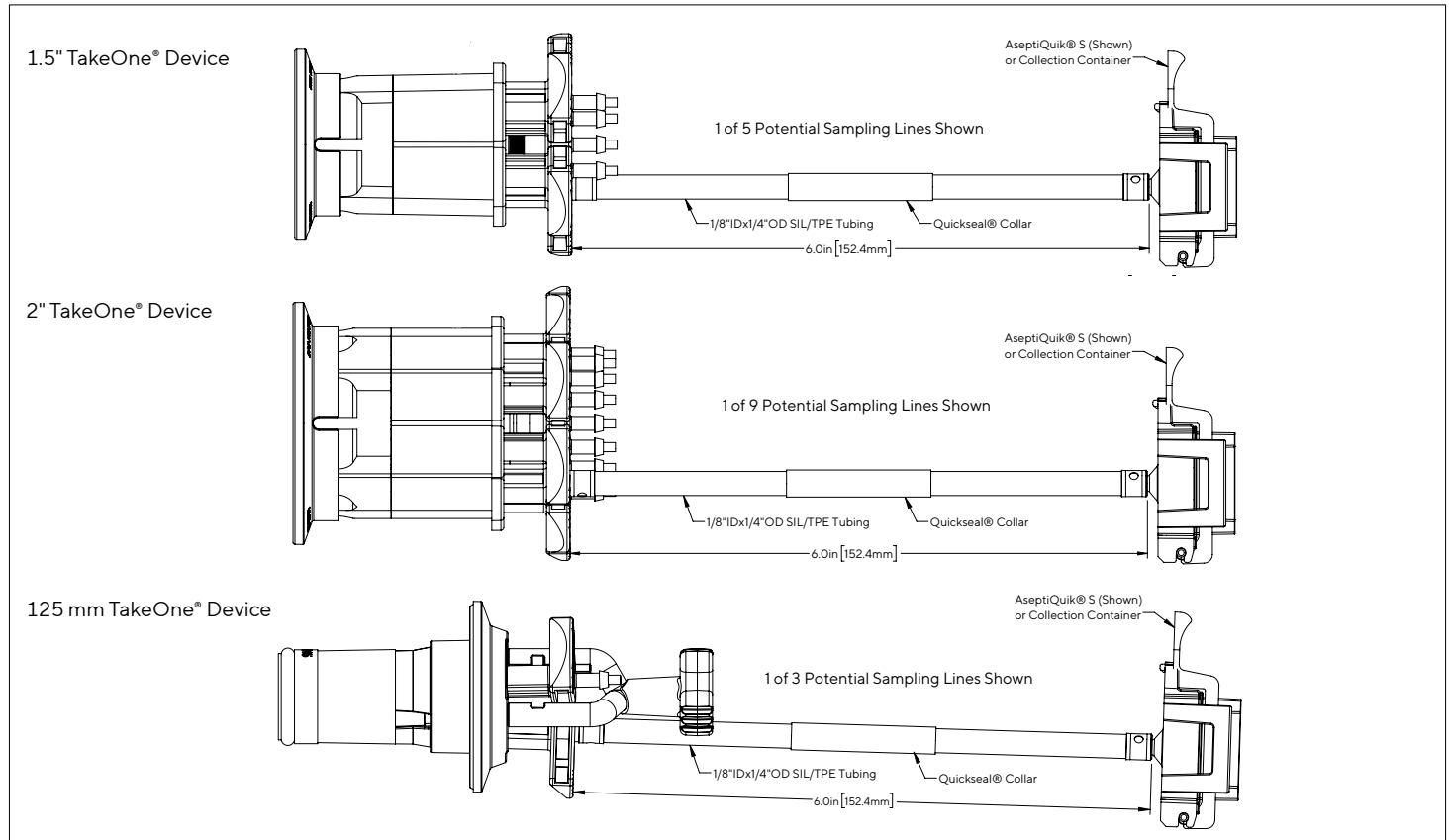
TakeOne® STO – Pre-Designed Configurations*

For nominal assembly dimensions please refer to the illustrations for TakeOne® Flex sampling hubs (omit tubing) and to the illustrations for the appropriate TakeOne® Flex Sample Collection Containers (omit aseptic connector). In combination you can assess the preconfigured assembly's approximate overall footprint.

Hub Size and Fitting	Sampling Lines	Description	Fluid Contact Materials	Catalog Number
25 mm port (Ingold®)	3	TakeOne® STO, 25 mm, 3 × 60 mL PETG bottle, Tuflux® TPE	316 L stainless steel, silicone (Pt), high density polyethylene (HDPE), polyethylene terephthalate glycol-modified (PETG), Tuflux® TPE	INGP03STOT0001
		TakeOne® STO, 25 mm, 3 × 15 mL centrifuge tube, Tuflux® TPE	316 L stainless steel, silicone (Pt), polystyrene, high density polyethylene (HDPE), Tuflux® TPE	INGP03STOT0002
		TakeOne® STO, 25 mm, 3 × 250 mL Flexsafe® bag, Tuflux® TPE	316 L stainless steel, silicone (Pt), polycarbonate, polyethylene (PE S80), Tuflux® TPE	INGP03STOT0003
		TakeOne® STO, 25 mm, 3 × (2 × 50 mL Flexsafe® bag), Tuflux® TPE	316 L stainless steel, silicone (Pt), polycarbonate, polyethylene (PE S80), high density polyethylene (HDPE), Tuflux® TPE	INGP03STOT0004
		TakeOne® STO, 25 mm, 3 × (2 × 60 mL PETG bottle), Tuflux® TPE	316 L stainless steel, silicone (Pt), polycarbonate, high density polyethylene (HDPE), polyethylene terephthalate glycol-modified (PETG), Tuflux® TPE	INGP03STOT0005
1.5" Sanitary TC	5	TakeOne® STO, 1.5", 5 × 50 mL Flexsafe® bag, Tuflux® TPE	316 L stainless steel, silicone (Pt), polycarbonate, polyethylene (PE S80), Tuflux® TPE	24TC05STOT0001
		TakeOne® STO, 1.5", 5 × 250 mL Flexsafe® bag, Tuflux® TPE	316 L stainless steel, silicone (Pt), polycarbonate, polyethylene (PE S80), Tuflux® TPE	24TC05STOT0002
		TakeOne® STO, 1.5", 5 × 60 mL PETG bottle, Tuflux® TPE	316 L stainless steel, silicone (Pt), high density polyethylene (HDPE), polyethylene terephthalate glycol-modified (PETG), Tuflux® TPE	24TC05STOT0003
		TakeOne® STO, 1.5", 5 × 15 mL centrifuge tube, Tuflux® TPE	316 L stainless steel, silicone (Pt), polystyrene, high density polyethylene (HDPE), Tuflux® TPE	24TC05STOT0004
		TakeOne® STO, 1.5", 5 × (2 × 50 mL Flexsafe® bag), Tuflux® TPE	316 L stainless steel, silicone (Pt), polycarbonate, polyethylene (PE S80), high density polyethylene (HDPE), Tuflux® TPE	24TC05STOT0005
		TakeOne® STO, 1.5", 5 × (2 × 60 mL PETG bottle), Tuflux® TPE	316 L stainless steel, silicone (Pt), polycarbonate, high density polyethylene (HDPE), polyethylene terephthalate glycol-modified (PETG), Tuflux® TPE	24TC05STOT0006
2" Sanitary TC	9	TakeOne® STO, 2", 9 × 50 mL Flexsafe® bag, Tuflux® TPE	316 L stainless steel, silicone (Pt), polycarbonate, polyethylene (PE S80), Tuflux® TPE	32TC09STOT0001
		TakeOne® STO, 2", 9 × 250 mL Flexsafe® bag, Tuflux® TPE	316 L Stainless steel, Silicone (Pt), polycarbonate, polyethylene (PE S80), Tuflux® TPE	32TC09STOT0002
		TakeOne® STO, 2", 9 × 15 mL centrifuge tube, Tuflux® TPE	316 L stainless steel, silicone (Pt), polystyrene, high density polyethylene (HDPE), Tuflux® TPE	32TC09STOT0003
		TakeOne® STO, 2", 9 × 60 mL PETG bottle, Tuflux® TPE	316 L stainless steel, silicone (Pt), high density polyethylene (HDPE), polyethylene terephthalate glycol-modified (PETG), Tuflux® TPE	32TC09STOT0004
		TakeOne® STO, 2", 9 × (2 × 50 mL Flexsafe® bag), Tuflux® TPE	316 L stainless steel, silicone (Pt), polycarbonate, high density polyethylene (HDPE), polyethylene (PE S80), Tuflux® TPE	32TC09STOT0005
		TakeOne® STO, 2", 9 × (2 × 60 mL PETG bottle), Tuflux® TPE	316 L stainless steel, silicone (Pt), polycarbonate, high density polyethylene (HDPE), polyethylene terephthalate glycol-modified (PETG), Tuflux® TPE	32TC09STOT0006

*Products come individually double bagged
Ingold® is a registered trademark of Mettler-Toledo

TakeOne® Flex - Point-of-Use Configuration



Sampling Hub Bodies | Silicone (Pt)*

Hub Size and Fitting	Sampling Lines	Tube Material	Sampling Line Connection Type	Fluid Contact Materials	Catalog Number
1.5" Sanitary TC	3	Silicone (Pt) 1/8" x 1/4" Length 6"	AseptiQuik® S	316L stainless steel, silicone (Pt), polycarbonate	24TC03PASQLT01
1.5" Sanitary TC	5				24TC05PASQLT01
2" Sanitary TC	5				32TC05PASQLT01
2" Sanitary TC	9				32TC09PASQLT01
25 mm port (Ingold®)	3				INGP03PASQLT01

* Products come individually bagged with 5 units in an outer sealed bag

Sampling Hub Bodies | TPE

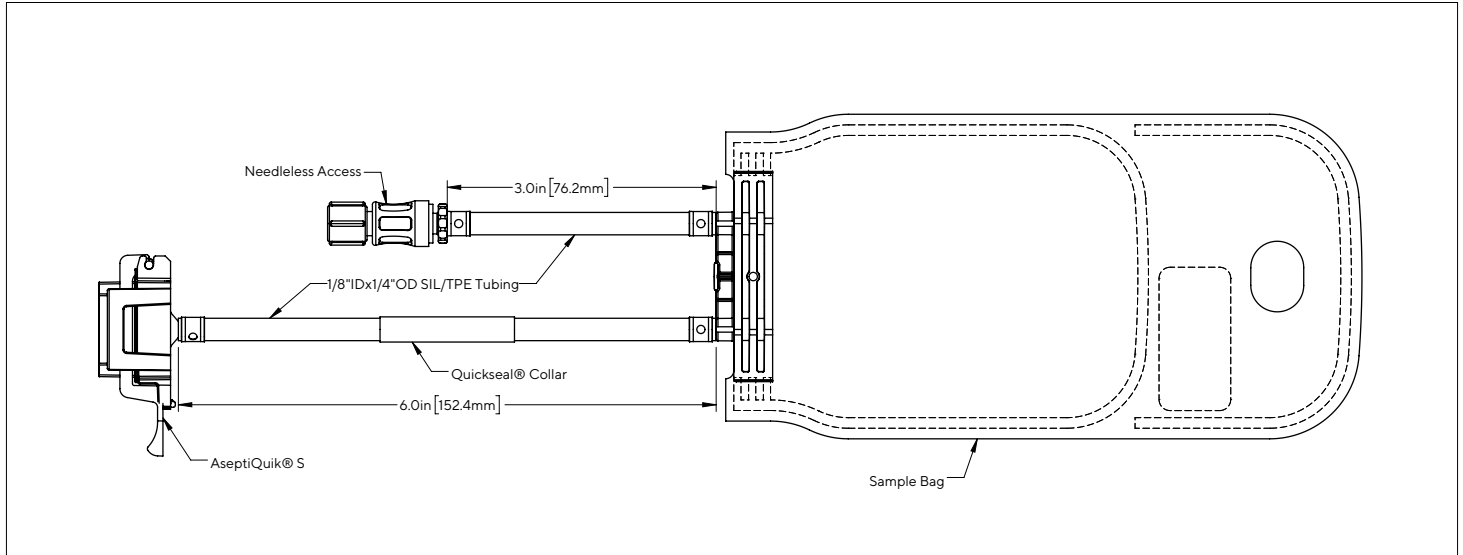
Hub Size and Fitting	Sampling Lines	Tube Material	Sampling Line Connection Type	Fluid Contact Materials	Catalog Number
1.5" Sanitary TC	3	C-Flex® 1/8" x 1/4" Length 6"	AseptiQuik® S	316L stainless steel, silicone (Pt), polycarbonate, C-Flex® (374)	24TC03CASQLT01
	5				24TC05CASQLT01
2" Sanitary TC	5				32TC05CASQLT01
	9				32TC09CASQLT01
25 mm port (Ingold®)	3				INGP03CASQLT01

* Products come individually bagged with 5 units in an outer sealed bag

Ingold® is a registered trademark of Mettler-Toledo

TakeOne® Flex | Sample Containers

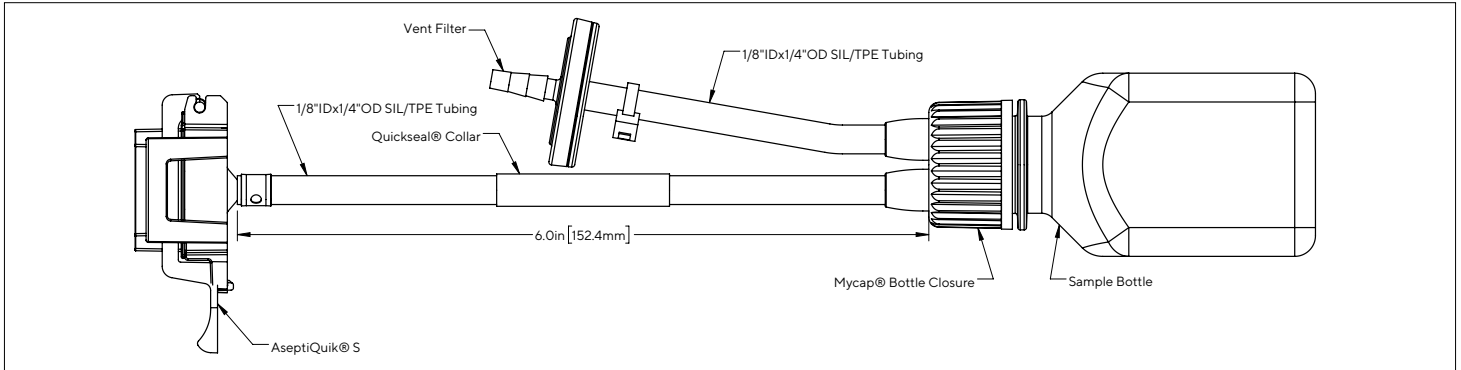
Individual Collection Containers*



Bags

Container Type	Volume [mL]	Container Inlet	Container Outlet	Container Material	Other Fluid Contact Materials*	Catalog Number TPE Tube	Catalog Number Silicone (Pt) Tube
Flexsafe® bag	20	AseptiQuik® S	Benchmark® (for needle-free syringes)	Polyethylene (S80)	Polycarbonate, polypropylene (PP), silicone (Pt)	FLS0021CASQLT	FLS0021PASQLT
	50	½" x ¼"				FLS0051CASQLT	FLS0051PASQLT
	150	Length 6"				FLS0151CASQLT	FLS0151PASQLT
	250	Quickseal® 3"				FLS0251CASQLT	FLS0251PASQLT
	500					FLS0501CASQLT	FLS0501PASQLT
	1,000					FLS1001CASQLT	FLS1001PASQLT
Flexboy® bag	50	AseptiQuik® S	Benchmark® (for needle-free syringes)	Ethylene-vinyl acetate (EVA S71)	Polycarbonate, polypropylene (PP), silicone (Pt)	FBY0051CASQLT	FBY0051PASQLT
	150	½" x ¼"				FBY0151CASQLT	FBY0151PASQLT
	250	Length 6"				FBY0251CASQLT	FBY0251PASQLT
	500	Quickseal® 3"				FBY0501CASQLT	FBY0501PASQLT
	1,000					FBY1001CASQLT	FBY1001PASQLT
Celsius® Pak bag	30	AseptiQuik® S	Luer fitting	Ethylene-vinyl acetate (EVA S71-360 µm)	Polycarbonate, polypropylene (PP), silicone (Pt)	CSP0031CASQLT	—
	100	½" x ¼"				CSP0101CASQLT	—

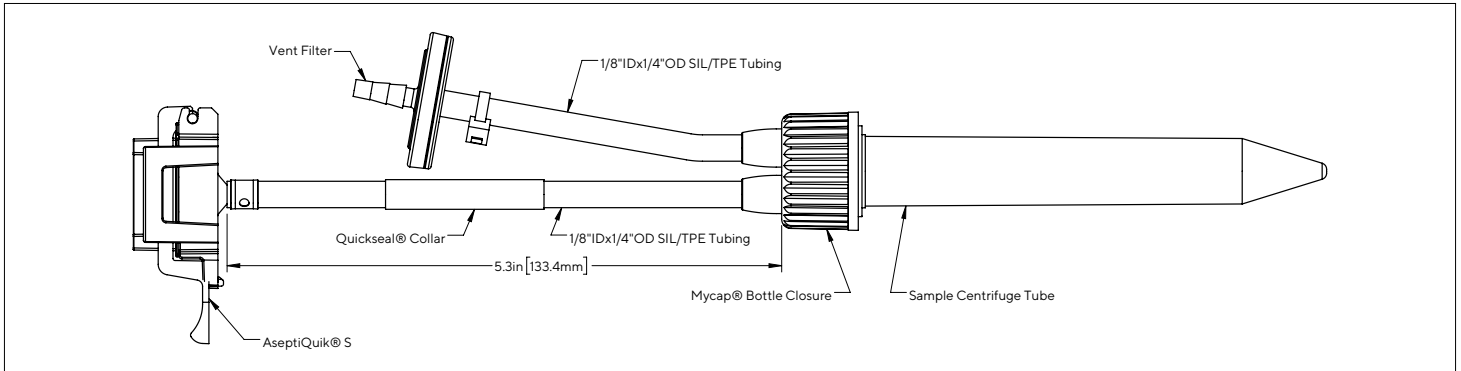
*Each piece is individually bagged with 10 units in an outer poly bag



Bottles

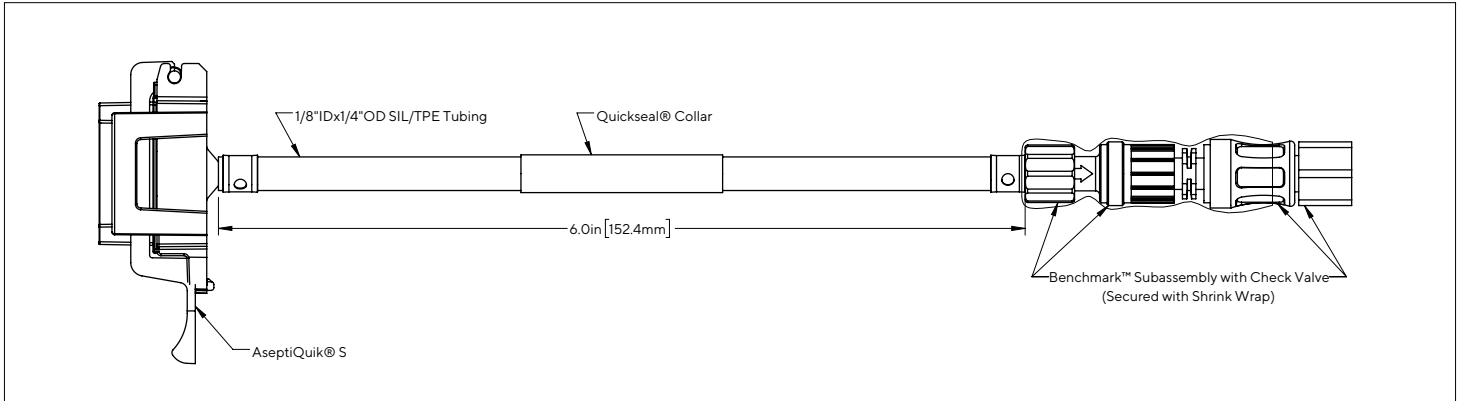
Container Type	Volume [mL]	Container Inlet	Container Outlet	Container Material	Other Fluid Contact Materials**	Catalog Number TPE Tube	Catalog Number Silicone (Pt) Tube
Square bottle	30	AseptiQuik® S	Minisart®	Polyethylene terephthalate glycol-modified (PETG)**	Polycarbonate, silicone (Pt)	PTG0031CASQLT	PTG0031PASQLT
	60	1/8" x 1/4" Length 6"	Vent Filter			PTG0061CASQLT	PTG0061PASQLT
	125	Quickseal® 3"				PTG0121CASQLT	PTG0121PASQLT
	250					PTG0251CASQLT	PTG0251PASQLT
	500					PTG0501CASQLT	PTG0501PASQLT
	1,000			PTG1001CASQLT	PTG1001PASQLT		

**Other materials available upon request



Centrifuge Tubes

Container Type	Volume [mL]	Container Inlet	Container Outlet	Container Material	Other Fluid Contact Materials**	Catalog Number TPE Tube	Catalog Number Silicone (Pt) Tube
Centrifuge tube	15	AseptiQuik® S	Minisart®	Polystyrene	Polycarbonate, high-density polyethylene (HDPE), silicone (Pt)	PSCT0151CASQLT	PSCT0151PASQLT
	50	1/8" x 1/4" Length 6"	Vent Filter				
		Quickseal® 3"	Minisart®	Polypropylene (PP)	Polycarbonate, silicone (Pt)	PPCT0051CASQLT	PPCT0051PASQLT

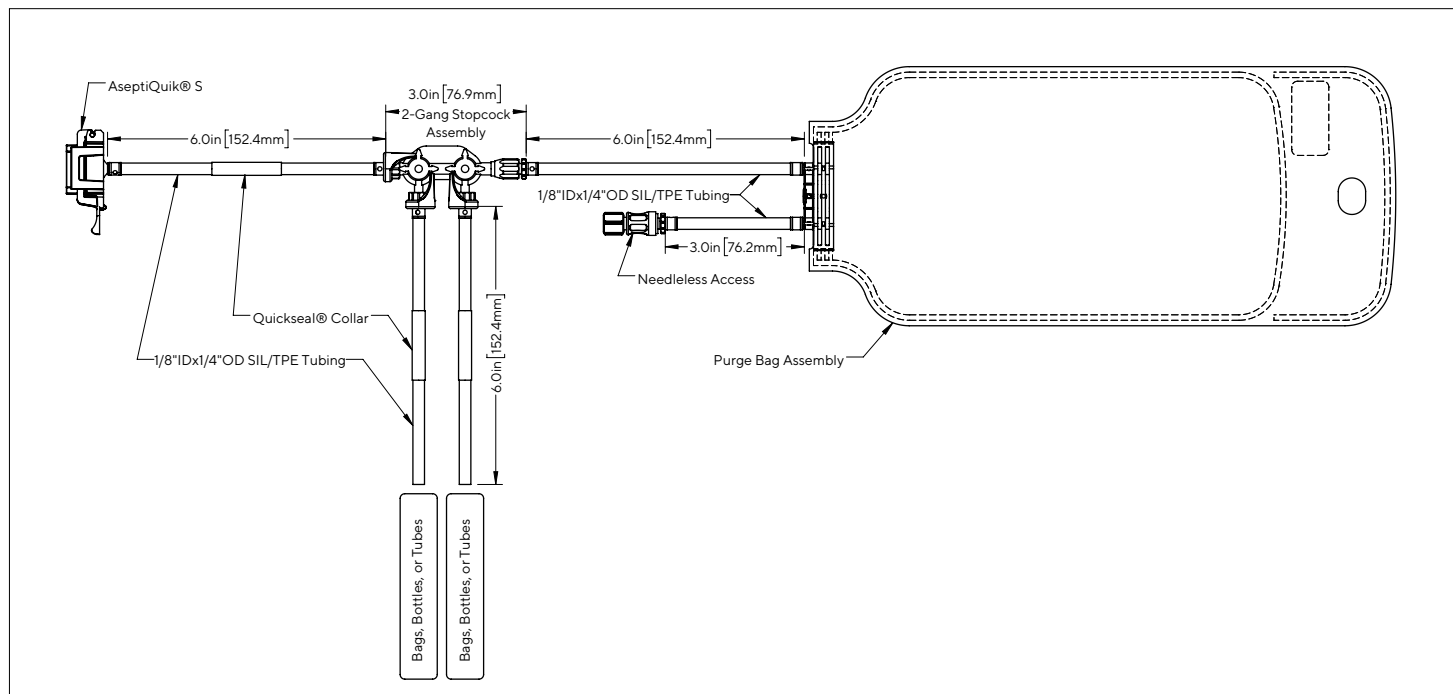


Benchmark® Needleless Access Site

	Container Inlet	Container Outlet	Container Material	Other Fluid Contact Materials*	Catalog Number TPE Tube	Catalog Number Silicone (Pt) Tube
Benchmark® with check valve	AseptiQuik® S 1/8" x 1/4" Length 6" Quickseal® 3"	—	As selected	Polycarbonate, polypropylene (PP), styrene acrylonitrile (SAN), silicone (Pt)	BNCHCV1CASQLT	BNCHCV1PASQLT
Benchmark® w/out check valve	AseptiQuik® S 1/8" x 1/4" Length 6" Quickseal® 3"	—	As selected	Polycarbonate, silicone (Pt)	BNCH1CASQLT	BNCH1PASQLT
Benchmark® with check valve	1/4" x 1/4" TPE tube, 12" long with tube plug	—	As selected	Polycarbonate, polypropylene (PP), styrene acrylonitrile (SAN), silicone (Pt)	BNCHSSBH0004**	

**Bulk packaged 10 pieces per bag

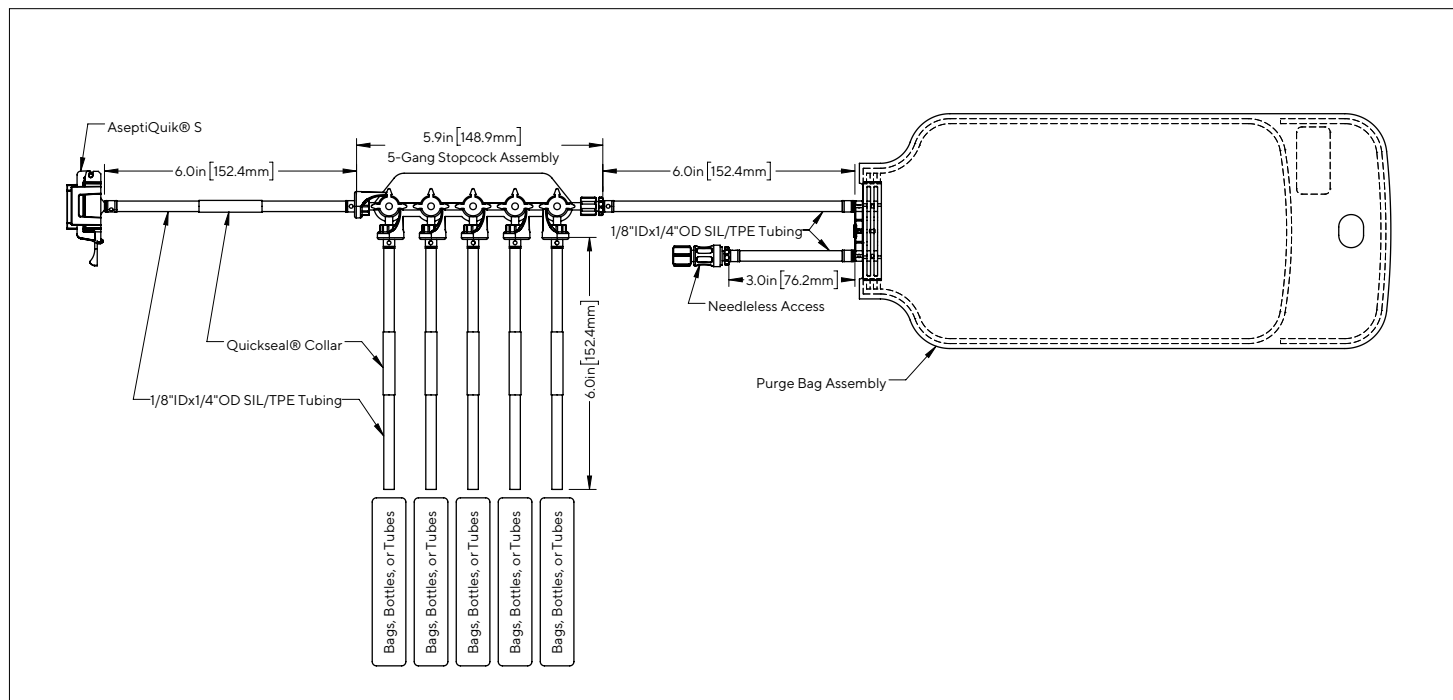
Manifolded Collection Containers



2-Gang Manifold*

Container Type	Volume	Container Inlet	Container Outlet	Fluid Contact Materials*	Catalog Number TPE Tube	Catalog Number Silicone (Pt) Tube
Flexsafe® bags on stopcock manifold	2 × 20 mL	AseptiQuik® S ⅝" × ¼"	Benchmark® (for needle-free syringes)	Polycarbonate, high-density polyethylene (HDPE), polyethylene (PE S80), polypropylene (PP), silicone (Pt)	FLS0022CASQLT	FLS0022PASQLT
	2 × 50 mL	Length 6"			FLS0052CASQLT	FLS0052PASQLT
	2 × 150 mL	Quickseal® 3"			FLS0152CASQLT	FLS0152PASQLT
	2 × 250 mL				FLS0252CASQLT	FLS0252PASQLT
	2 × 500 mL				FLS0502CASQLT	FLS0502PASQLT
	2 × 1,000 mL		FLS1002CASQLT	FLS1002PASQLT		
Flexboy® bags on stopcock manifold	2 × 50 mL	AseptiQuik® S ⅝" × ¼"	Benchmark® (for needle-free syringes)	Polycarbonate, high-density polyethylene (HDPE), ethylene-vinyl acetate (EVA S71), polypropylene (PP), silicone (Pt)	FBY0052CASQLT	FBY0052PASQLT
	2 × 250 mL	Length 6"			FBY0252CASQLT	FBY0252PASQLT
	2 × 1,000 mL	Quickseal® 3"			FBY1002CASQLT	FBY1002PASQLT
Centrifuge tube on stopcock manifold	2 × 15 mL	AseptiQuik® S ⅝" × ¼"	Minisart® Vent Filter	Polycarbonate, polystyrene, high density polyethylene (HDPE), silicone (Pt)	PSCT0152CASQLT	PSCT0152PASQLT
	2 × 50 mL	Length 6" Quickseal® 3"			PPCT0052CASQLT	PPCT0052PASQLT
Bottle on stopcock manifold	2 × 60 mL	AseptiQuik® S ⅝" × ¼" Length 6" Quickseal® 3"	Minisart® Vent Filter	Polycarbonate, high density polyethylene (HDPE), polyethylene terephthalate glycol-modified (PETG), silicone (Pt)	PTG0062CASQLT	PTG0062PASQLT
2-way splitter		AseptiQuik® S ⅝" × ¼" Length 6"	AseptiQuik® S (× 2) ⅝" × ¼" Length 6"	Polycarbonate, high density polyethylene (HDPE), silicone (Pt)	2WAY001CASQLT	2WAY001PASQLT

*Each piece is individually bagged with 5 units in an outer poly bag



5-Gang Manifold with Purge Vessel*

Container Type	Volume	Container Inlet	Container Outlet	Fluid Contact Materials*	Catalog Number TPE Tube	Catalog Number Silicone (Pt) Tube
Flexsafe® bags on stopcock manifold	5 × 20 mL	AseptiQuik® S ½" × ¼"	Benchmark® (for needle-free syringes)	Polycarbonate, high density polyethylene (HDPE), polyethylene (PE S80), polypropylene (PP), silicone (Pt)	FLS0025CASQLT	FLS0025PASQLT
	5 × 50 mL	Length 6"			FLS0055CASQLT	FLS0055PASQLT
	5 × 150 mL	Quickseal® 3"			FLS0155CASQLT	FLS0155PASQLT
	5 × 250 mL				FLS0255CASQLT	FLS0255PASQLT
	5 × 500 mL				FLS0505CASQLT	FLS0505PASQLT
	5 × 1,000 mL			FLS1005CASQLT	FLS1005PASQLT	
Flexboy® bags on stopcock manifold	5 × 50 mL	AseptiQuik® S ½" × ¼"	Benchmark® (for needle-free syringes)	Polycarbonate, high-density polyethylene (HDPE), ethylene-vinyl acetate (EVA S71), polypropylene (PP), silicone (Pt)	FBY0055CASQLT	FBY0055PASQLT
	5 × 250 mL	Length 6"			FBY0255CASQLT	FBY0255PASQLT
	5 × 1,000 mL	Quickseal® 3"			FBY1005CASQLT	FBY1005PASQLT
Centrifuge tube on stopcock manifold	5 × 15 mL	AseptiQuik® S ½" × ¼"	Minisart® Vent Filter	Polycarbonate, polystyrene, high-density polyethylene (HDPE), silicone (Pt)	PSCT0155CASQLT	PSCT0155PASQLT
	5 × 50 mL	Length 6" Quickseal® 3"			PPCT0055CASQLT	PPCT0055PASQLT
Bottle on stopcock manifold	2 × 60 mL	AseptiQuik® S ½" × ¼"	Minisart® Vent Filter	Polycarbonate, high-density polyethylene (HDPE), polyethylene terephthalate glycol-modified (PETG), silicone (Pt)	PTG0062CASQLT	PTG0062PASQLT
	5 × 125 mL	Length 6"			PTG0125CASQLT	PTG0125PASQLT
	5 × 250 mL	Quickseal® 3"			PTG0255CASQLT	PTG0255PASQLT

*Each piece is individually bagged with 5 units in an outer poly bag

TakeOne® Accessories



Product Name	Catalog Number
Quickseal® Cutter (small diameter)	QSCUTTERS
Quickseal® Silicone Caps ¼" OD (50/pack)	QS04CAPSILNT
TakeOne® tab actuator lock (5/pack)	TKOTCHD
TakeOne® 25 mm depth accessory 1 (30 mm Ingold® port length)	INGDEPTH01*
TakeOne® 25 mm depth accessory 2 (46 mm Ingold® port length)	INGDEPTH02*
TakeOne® 25 mm depth accessory 3 (52 mm Ingold® port length)	INGDEPTH03*
TakeOne® 25 mm depth accessory 4 (40 mm Ingold® port length)	INGDEPTH04*

*For use on threaded 25 mm ports. Please consult your Sartorius representative if you need assistance determining port length.

Process Interface Compatibility

Type	Size	Number of Sampling Lines	Requires Multi-use Accessory	Part Number
TC	1.5"	×5	No	–
	2"	×9	No	–
25mm Port Ingold® Safety Port	30 mm	×3*	Yes	INGDEPTH01
	40 mm	×3*	Yes	INGDEPTH04
	46 mm	×3*	Yes	INGDEPTH02
	52 mm	×3*	Yes	INGDEPTH03

* Uses the 25 mm TakeOne® single-use sampling hub.

Fast and Efficient Delivery

Rapidly adapt your sampling. Our off-the-shelf products* mean that TakeOne® is an extension of your operation and long delivery schedules are no longer a bottleneck to your timely processes.

*Select items from our standard portfolio are maintained in stock.

Sartorius, Your Partner to Innovation

At Sartorius, we strive to provide you with innovative products and technologies, and help you successfully implement these in your complex and quality-critical bio-manufacturing processes across the globe. Our customers' problems are the objectives we set to overcome and help pioneer the way, setting standards for single-use products in a reliable and economical way.

Source all your needs for process optimization, customized validation and regulatory support with Confidence® Services for TakeOne®. Confidence® provides the closest interpretation of current regulatory requirements and industry standards by working with you to define relevant test conditions for all your process components.

Services include, but are not limited to:

- Extractables assessment | Leachable studies
- Toxicological assessment | Safety evaluation
- Physio-Chemical studies

To support you in your regulatory needs, specific documentation is available upon request:

- Validation guide
- Technical drawing
- Inspection guide
- Instructions for use

Germany

Sartorius Stedim Biotech GmbH
August-Spindler-Strasse 11
37079 Goettingen
Phone +49 551 308 0

USA

Sartorius Stedim North America Inc.
565 Johnson Avenue
Bohemia, NY 11716
Toll-Free +1 800 368 7178

 **For more information, visit**
www.sartorius.com