

The Basic series

OEM weigh cells

WZA224-LC

WZA...	224-LC
Capacity	220 g
Readability	0.1 mg

The Basic series focus just on the essentials. Sartorius provides the mechanical and electronic solution. These weighing devices should be integrated by the system provider to overcome the influences of the ambient conditions.

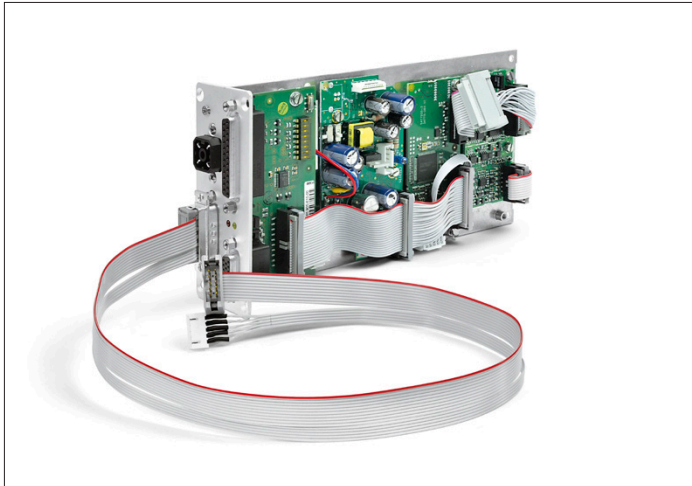
The weigh cell consists of two parts:

- A monolithic weighing system with a protective aluminium housing
- All electronic parts fix to a metal board

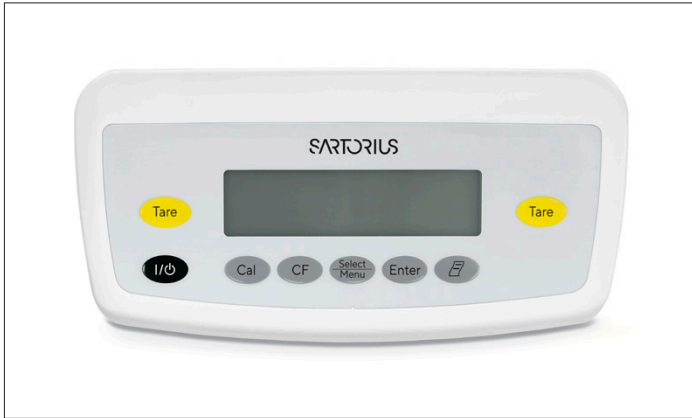


- Force compensation technology weighing system with a resolution of 0.1 mg
- Adjustable load receptor with overload protection
- Internal calibration weight for easy checks in automated environments
- Possibility for under floor weighing
- Interconnection on electronic front panel
- LED's to control power and data transfer
- Fast warm-up by separation of weighing system and electronics
- RS232C interface for configuration, data transfer and internal calibration
- Optional PC-software with menu setting, weigh data display and internal calibration functions

Technical Data



Electronic module



YAC01ED (optional)

Model	WZA224-LC
Capacity	220 g
Readability	0.1 mg
Preload max. ¹⁾	10 g
Repeatability (standard deviation) ²⁾	±0.1 mg
Linearity	±0.2 mg
Measuring time ²⁾³⁾	2 s / ±0.1 mg
Operating temperature range	+10 ... +30 °C
Allowable temperature range	+5 ... +40 °C
Weigh cell dimension	170 × 147 × 81 mm (base × height)
Electronic PCB dimension	208 × 100 × 44 mm (base × height)
Cable length weigh cell to electronics	Ribbon cable 0.5 m (maximum length 3 m, could be extend at side)
Load receptor (adjustable, with overload protection)	12 mm Diameter
Under floor load receptor	M3 thread
Power supply	YEPS01-15VOH 100 - 240VAC, 50 - 60Hz 15V DC
Power supply (alternative)	12...26, optimal 15V (+15% -10%); 0.5VPP (Peak to Peak)
Power consumption	8 VA (average)
Interface	RS232C, software hardware handshake
Options Accessories	
Windows configuration software for test and adjustment	Sartorius CAS Suite
Liquid-crystal display	YAC01ED

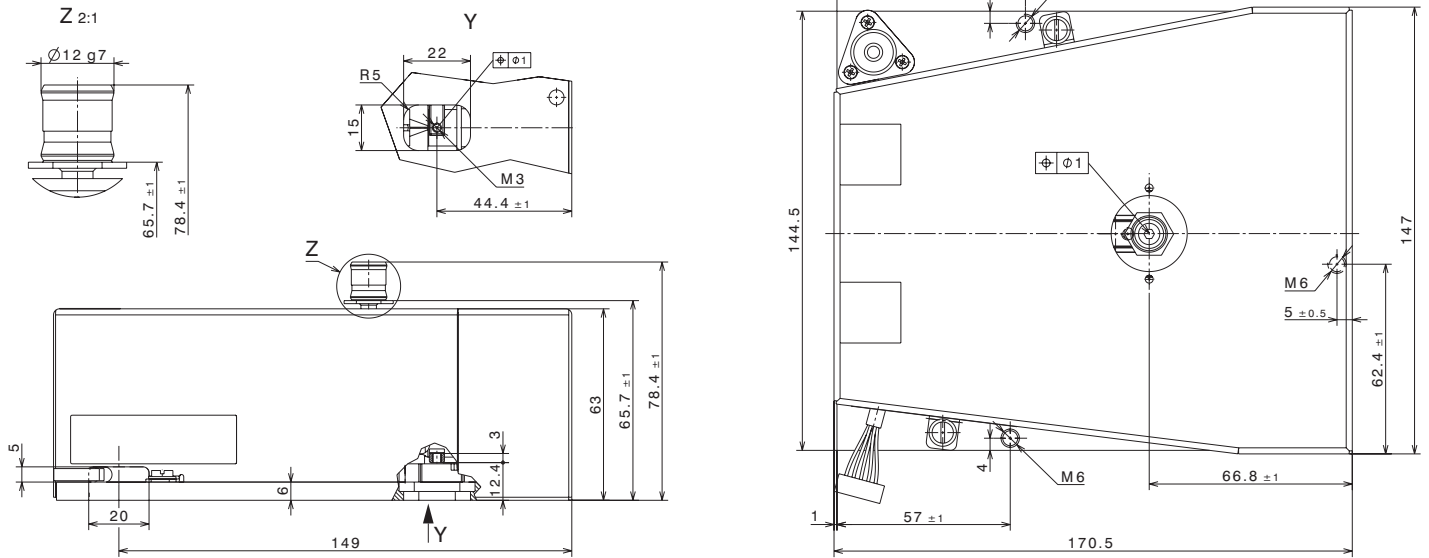
1) the preload can be configured by using the Sartorius CAS Suite software; higher preload will reduce the weighing range

2) depending on measurement equipment set-up and conditions;

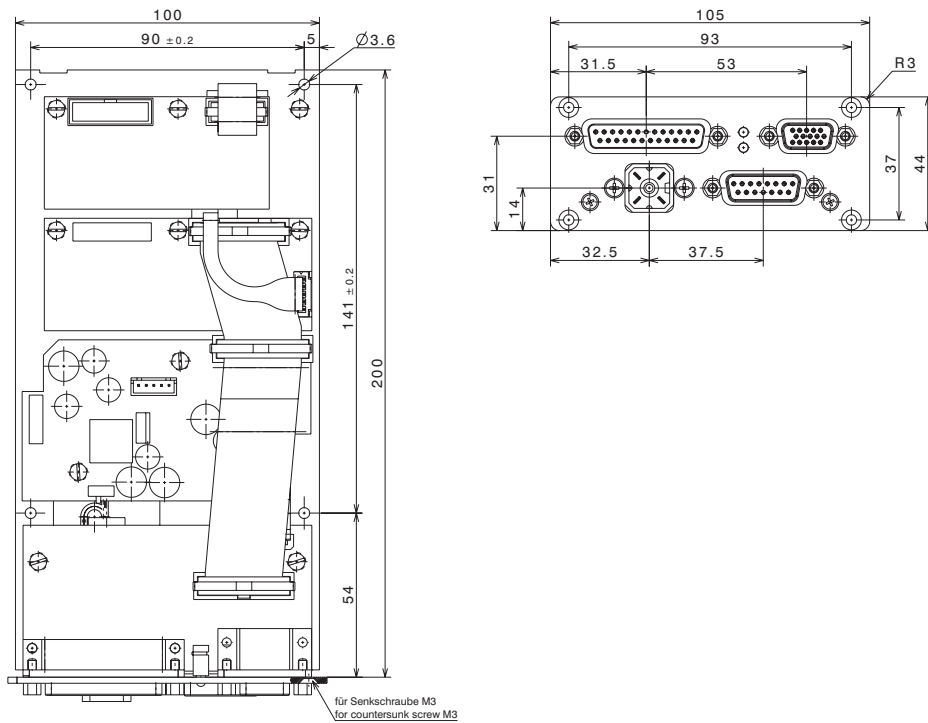
3) measuring time is the time in which the measured value is in the given range around the static end value; test weight is approx. 25% of the weighing range.

Weigh cell

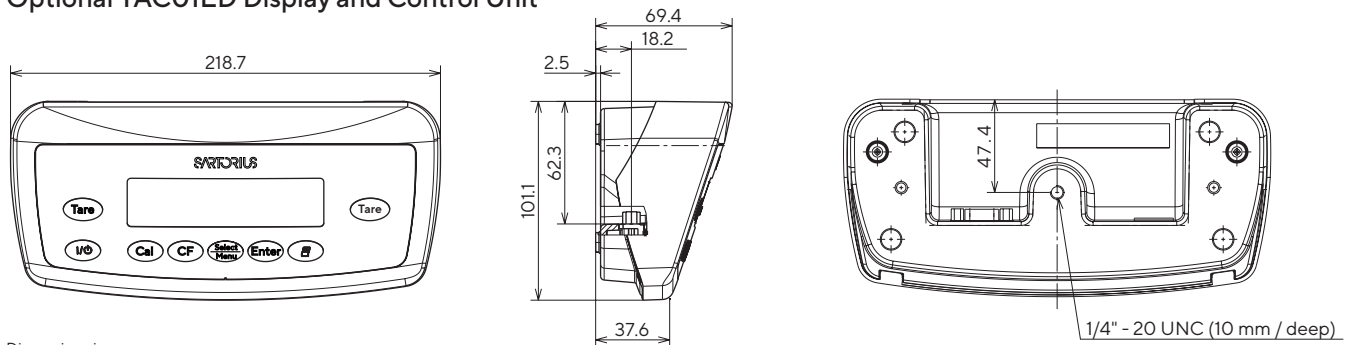
WZA224-LC



Electronic module



Optional YAC01ED Display and Control Unit



Dimensions in mm

Germany

Sartorius Lab Instruments GmbH & Co. KG
Otto-Brenner-Strasse 20
37079 Goettingen
Phone +49 551 308 0

France & Suisse Romande

Phone +33 170 62 50 00

Finland & Baltics

Phone +358 9 755 951

Italy

Phone +39 0362 5557 11

U.K.

Phone +44 1372 737159

USA

Toll-free +1 800 635 2906

China


Phone +86 21 6878 2300

Japan

Phone +81 3 6478 5200

South Korea

Phone +82 31 622 5700

 For further contacts, visit
www.sartorius.com