

ProfiLine

OEM weigh cells

WZA224-NC

WZA523-NC

WZA1203-NC

WZA...	224-NC	523-NC	1203-NC
Capacity	220 g	520 g	1200 g
Readability	0.1 mg	1 mg	1 mg

The WZA-NC series is the successor of the well established WZA...CW-line. This weigh cells are specialized on weigh resolutions as low as 0.1 mg and capacities of up to 8200 g. An internal calibration weight for easy quality control during production is built in.

The weigh cell consist of two parts:

- A monolithic weighing system in stainless steel IP44 housing
- Aluminium electronic box, all connection via the front
- Force compensation technology weighing system with a resolution of 0.1 mg

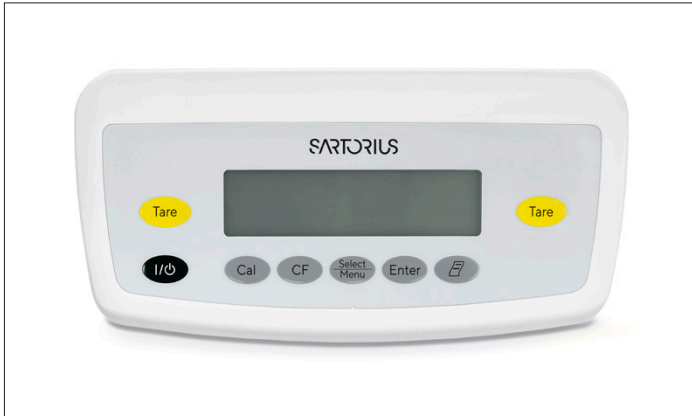


- Internal calibration weight for easy checks in automated environments
- Excellent weighing technology bundled with easy adaptation
- Adjustable load receptor with overload protection, optional lift-off protection
- Possibility for under floor weighing
- Interconnection on electronic front panel
- LED's to control power and data transfer
- Fast warm-up by separation of weighing system and electronics
- RS232C interface for configuration and data transfer
- Optional PC-software with menu setting, weigh data display and internal calibration functions
- Display can be plugged during operation

Technical Data



Aluminium electronic box



YAC01ED (optional)

Model	WZA224-NC	WZA523-NC	WZA1203-NC
Capacity	220 g	520 g	1200 g
Readability	0.1 mg	1 mg	1 mg
Preload max. ¹⁾	70 g	50 g	0 g
Repeatability (standard deviation) ²⁾	≤± 0.1 mg	≤± 1 mg	≤± 1 mg
Linearity	≤± 0.2 mg	≤± 2 mg	≤± 2 mg
Measuring time ²⁾³⁾	0.6 s ± 0.1 mg	0.6 s ± 1 mg	0.6 s ± 1 mg
Operating temperature range	+10 ... +30 °C		
Allowable temperature range	+5 ... +40 °C		
Weigh cell dimension	150 × 232 × 99 mm (base × height)		
Electronic PCB dimension	130 × 208 × 45 mm (base × height)		
Load receptor (adjustable, with overload protection)	42 mm (diameter), 26 mm height above housing		
Under floor load receptor	M3 thread		
Cable length weigh cell to electronics	3 m		
Power supply	YEPS01-15V0H 100 - 240VAC, 50 - 60Hz 15V DC		
Power supply (alternative)	12...26, optimal 15V (+15% -10%); 0.5VPP (Peak to Peak)		
Power consumption	8 VA (average)		
Interface	RS232C , software hardware handshake; No system power via RS232 connector		

Options | Accessories

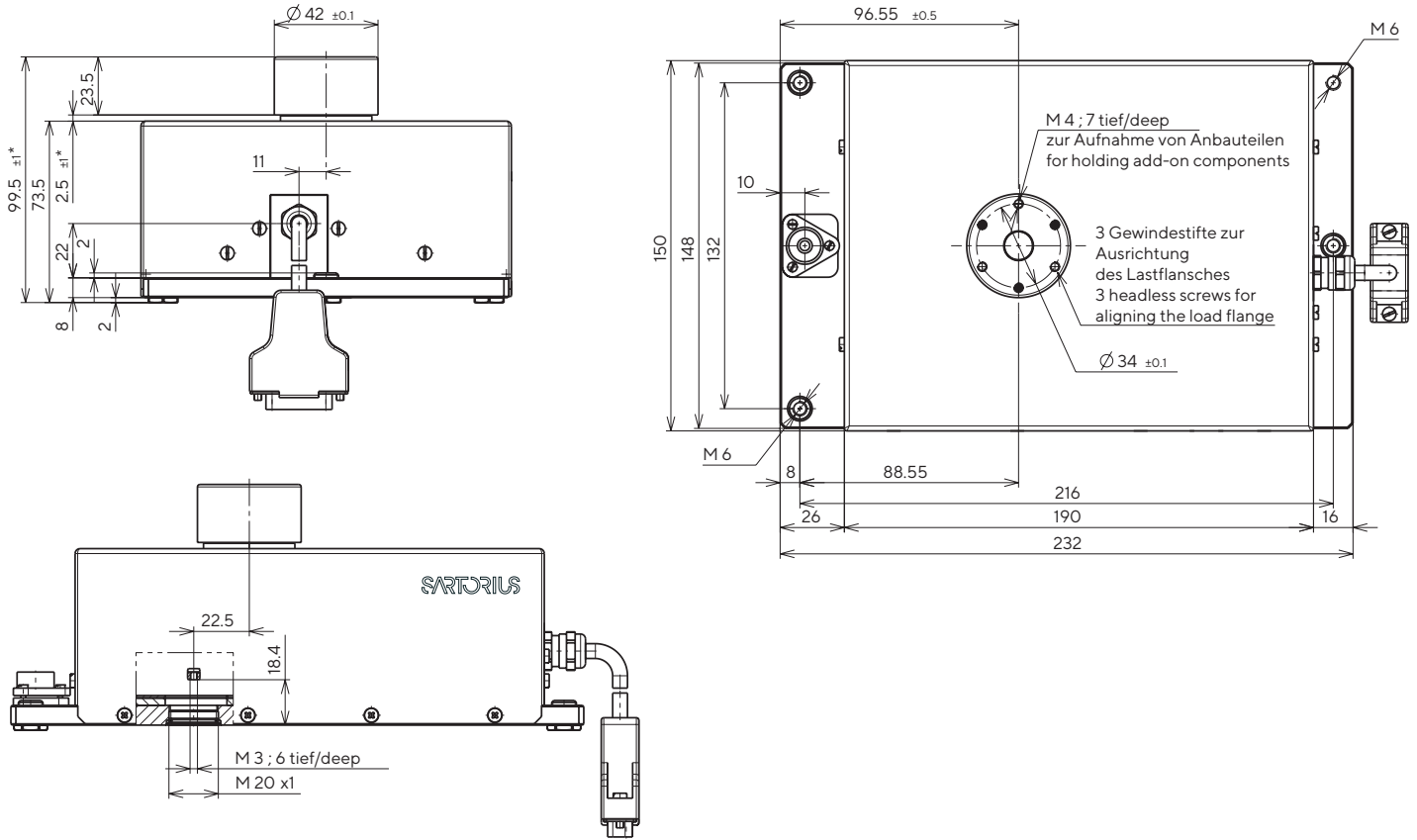
Windows configuration software for test and adjustment	Sartorius CAS Suite
Liquid-crystal display	YAC01ED
Weigh pan to realize lift off protection	YWPO1WZA

1) the preload can be configured by using the Sartorius CAS Suite software; higher preload will reduce the weighing range

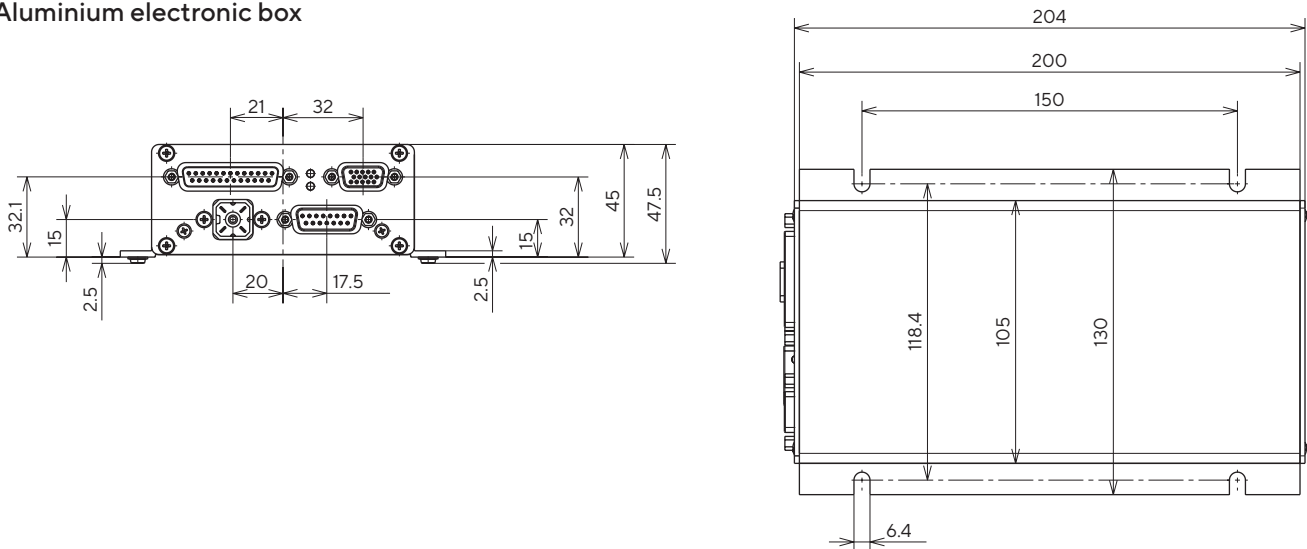
2) depending on measurement equipment set-up and conditions;

3) measuring time is the time in which the measured value is in the given range around the static end value; test weight is approx. 25% of the weighing range.

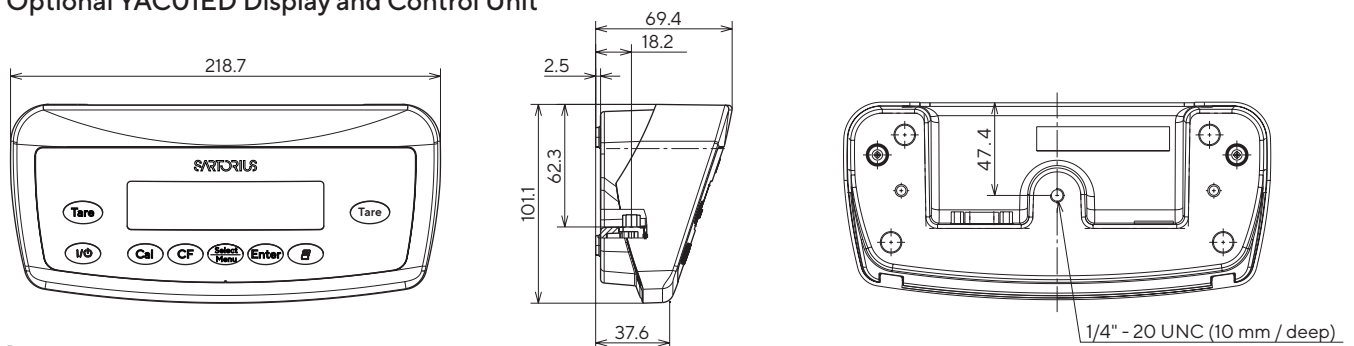
Weigh cell



Aluminium electronic box



Optional YAC01ED Display and Control Unit



Dimensions in mm

Germany

Sartorius Lab Instruments GmbH & Co. KG
Otto-Brenner-Strasse 20
37079 Goettingen
Phone +49 551 308 0

France & Suisse Romande

Phone +33 170 62 50 00

Finland & Baltics

Phone +358 9 755 951

Italy

Phone +39 0362 5557 11

U.K.

Phone +44 1372 737159

USA

Toll-free +1 800 635 2906

China


Phone +86 21 6878 2300

Japan

Phone +81 3 6478 5200

South Korea

Phone +82 31 622 5700

 For further contacts, visit
www.sartorius.com