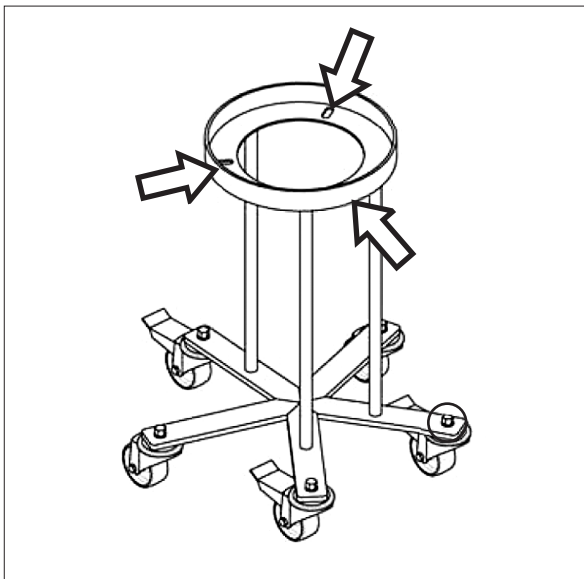




Operating Instructions

## Trolley for Sartobind® Jumbo 9ZGL--0102



During transport the hexagonal screws (circled) may become loose. Check all five position and screw tightly if necessary.

A Sartobind® Jumbo capsule is safely stored on the trolley if not moved to different working places.

If the Jumbo is moved, it is recommended to use enclosed screws and washers and connect it at the positions marked by arrows.

**Important:**

Two washers per screw must be used.

For more information refer to Sartobind® Jumbo operating instructions.

Sartorius Stedim Biotech GmbH reserves the right to make changes to the technology, features, specifications and design of the equipment without notice.

Sartobind® is a trademark of Sartorius Stedim Biotech GmbH

Status: September 1<sup>st</sup>, 2008

Sartorius Stedim Biotech GmbH,  
Goettingen, Germany

When unpacking the trolley, check contents according to the list.

Order number	Contents of shipment
9ZGL--0102	Trolley for Sartobind® Jumbo capsules Material: stainless steel 316L 3 screws ISO 4762 – M12 x 20 – A4-70 6 washers ISO 7089 – 12 – A4 Tool Certificates

Sartorius Stedim Biotech GmbH  
August-Spindler-Strasse 11  
37079 Goettingen  
Phone +49 551 308 0  
www.sartorius.com