

Instructions for Use | Gebrauchsanleitung

Sartocon[®] Slice Self Contained | Sartocube[®] Self Contained

Hydrosart[®] and PES
TFF cassettes | TFF-Cassetten



1000036985



SARTORIUS

English	page	3
Deutsch	Seite	28

Contents

1	About this Document	4
1.1	Accompanying Documents	5
1.2	Symbols Used	5
2	Storage of Unused Filtration Units	6
3	Safety Instructions	7
3.1	General Safety Instructions	7
3.2	Informal Safety Measures	7
3.3	Intended Use	7
3.4	Danger due to Improper Handling	8
4	Components Filter Device	9
4.1	Sartocon® Slice Self Contained	9
4.2	Sartocon® Slice and Sartocube® Self Contained with AseptiQuick®	12
4.3	Sartocube® Self Contained Assemblies	16
5	Installation	18
5.1	Unpacking	18
5.2	Notes on System Setup	18
5.3	Installing the Cassette Into the Filter Holder	20
5.3.1	Rinsing Cassettes	21
5.3.2	Integrity Test	22
5.4	Information about Complaints	22
6	Filtration	23
7	Technical Data	24
7.1	Technical Specifications	24
7.1.1	Sartocon® Slice Self Contained	24
7.1.2	Sartocube® Self Contained	24
7.2	Clamping Forces	25
7.2.1	Sartocon® Slice Self Contained	25
7.2.2	Sartocube® Self Contained	25
7.3	Component Overview	26
8	Disposal	27
8.1	General Notes	27
8.2	Hazardous Materials	27

1 About this Document

This user manual provides you with all the information necessary to install the Sartocoon® Slice Self Contained and Sartocube® Self Contained cassettes. Both cassettes will also hereinafter be referred to as product or cassette.

- The user manual informs you about how to operate the product according to the safety requirements.

The user manual must be read, understood and used by all persons entrusted with the installation and use of the product. This applies particularly to the safety instructions listed.

- Please read this user manual carefully and completely before working with the cassette.
- This user manual is part of the product. Keep it in a safe and easily accessible place near the site of installation.
- If the manual should be lost or misplaced, please contact Sartorius for a replacement or download the latest version from our website: www.sartorius.com

In addition to the user manual, all generally valid, legal and otherwise binding regulations for accident protection and environmental protection of the country of use must be observed.

This user manual must always be kept at the place of use of the cassette.

- Any guarantees and warranties shall apply to manufacturing-related defects and malfunctions.
- The device is designed for standard laboratory conditions and techniques.

This user manual describes the product at the time of printing stated in the revision number. All data has been compiled with care, although no guarantee can be given for the data provided. Sartorius Stedim Biotech GmbH reserves the right to make technical changes to the design and equipment of its products or to make changes to the associated documentation without any prior notice or specific mention.

Because Sartorius products are constantly undergoing further development, some components and their operation may not be described in this manual. This manual may also contain information that does **not** apply to your set up. Please notify us if any information is missing that is important to you, if you find any errors in the content or require more extensive information on specific components.

If you have any questions about our product program or the use of the cassettes which are not dealt with in this manual, please contact:

Sartorius Stedim Biotech GmbH
August-Spindler-Strasse 11
D-37079 Goettingen, Germany

Phone +49 551 308 0
Fax +49 551 308 289
info@sartorius.com
www.sartorius.com

1.1 Accompanying Documents

This user manual describes how to install the product along with the standard equipment intended for this purpose.

In addition to these instructions, please observe the user manual for the filter holder.

1.2 Symbols Used

As a means of instruction and direct warning against hazards, all text statements to be particularly noted in this user manual will be marked as follows:

WARNING

This instruction denotes a possible danger with medium risk that death or severe injury may result if it is **not** avoided.

CAUTION

This symbol denotes a possible danger with risk that moderate or minor injury may result if it is **not** avoided.

IMPORTANT

This symbol denotes a danger with the low risk that could result in property damage if the risk is **not** avoided.

NOTE

This symbol

- is an indication of a function or setting on the device.
- that caution should be exercised while working.
- identifies useful information.

The following presentations will also be used:

- Texts that follow this mark are lists.
- ▶ Texts that follow this mark describe activities that must be carried out in the specified order.
- ▷ Texts that follow this mark describe the result of an action.
- “ ” Texts in quotes are references to other chapters or sections.
- () Texts following this symbol make reference to other chapters, sections or documents.

2 Storage of Unused Filtration Units

IMPORTANT

For filtration units with order numbers starting with 4XC... and SFA... the latest date of usage is 1 year from date of manufacture.

For filtration units with order numbers starting with SFM... and SFB... the latest date of usage is 2 years from date of manufacture.

The following conditions have to be maintained during storage in order to guarantee full cassette functionality:

IMPORTANT

Cassettes must be stored in a closed dry area.

IMPORTANT

Temperature has to be between 2 °C to 35 °C and absolutely frost free.

IMPORTANT

No direct solar radiation.

IMPORTANT

No direct contact with moisture.

IMPORTANT

Any mechanical influence or damage must be prevented.

IMPORTANT

Products with damaged packaging should be discarded.

3 Safety Instructions

3.1 General Safety Instructions

- Use the product only for its intended use (see Chapter “3.3 Intended Use”, page 7).
- During operation of the product, do **not** permit any work method that hinders the safety of the device.
- Always keep the working area of the product clean and orderly, in order to avoid danger from dirt or scattered parts.
- All work on the product may only be carried out by trained personnel.

3.2 Informal Safety Measures

In addition to the user manual, follow all local regulations for accident prevention and environmental protection.

Observe the following instructions:



Fig. 1: Application example:
Sartocube® SU filter holder



Fig. 2: Application example:
Sartoflow® SU filter holder

- This operating manual was developed according to regulations and legal guidelines. It has been drafted so that it can be implemented and used by appropriately trained personnel. Activities that go beyond the scope of that which is described here are to be carried out by Sartorius Stedim Biotech GmbH service personnel exclusively.
- Laboratory managers or persons responsible for equipment deployment are required to instruct their personnel about the hazards that can arise during the installation and operation of the Sartocube® Self Contained and Sartocube® Self Contained, while ensuring compliance with the relevant safety rules and regulations. The personnel must possess the required qualifications for the area of application and handling of the cassette.
- Strictly follow and observe the installation and operating instructions. That way you can avoid improper handling and maintain all guarantee claims in full. Please contact us if you have any questions.
- If these safety instructions are **not** followed, this can cause damage to the cassette or to other equipment and material or lead to personal injury.
- Every time before using the equipment, check that all components are in perfect working order.

3.3 Intended Use

The Sartocube® Self Contained and Sartocube® Self Contained cassettes are designed to be ready-to-use, disposable products.

For filtration, a filter holder (clamping element) is required, for example, the Sartocube® SU filter holder or the Sartoflow® SU filter holder. The holder can be part of the Sartorius system or can be an individual Sartorius SU filter holder.

3.4 Danger due to Improper Handling

WARNING

Danger of injury due to improper handling!

The filter holder user manual must be read before installing the cassette. Improper handling of the filter holder can lead to severe injuries or destruction of the cassette itself.

WARNING

Danger due to use of unsuitable accessories!

Only operate the product with original accessories. If other components are used, reliable operation and performance of the devices **cannot** be guaranteed.

IMPORTANT

The clamping forces specified may not be exceeded!

(see Chapter "7.2 Clamping Forces", page 25)

IMPORTANT

Regardless of membrane type, cassettes must not be allowed to dry out!

The membranes will lose their filtration properties if they dry out.

IMPORTANT

The specified chemical resistance must be observed!

The membranes could be damaged if other chemicals are used. The specified chemical resistance can be found in the Validation Guide.

- For information about the chemical resistance of the membranes, ask our applications specialists.
-

IMPORTANT

Do not use damaged components!

4 Components Filter Device

4.1 Sartocube® Slice Self Contained

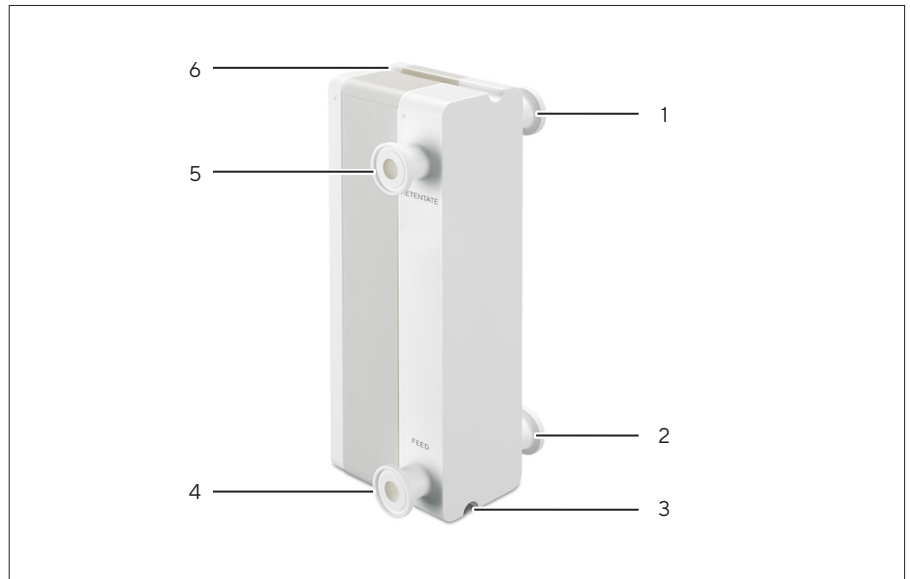


Fig. 3: Sartocube® Slice Self Contained

Pos.	Description
1	Permeate port*
2	Permeate port*
3	Notch for lower guide rod
4	Feed port*
5	Retentate*
6	Notch for upper guide rod

* ½" Tri-Clamp connection (TC)

Self Contained Stand Alone

Order No.	Screen	Membrane	MWCO	Effective Filtration Area
3D51463901EFFSG	E-Screen	PES	10 kDa	0.1 m ²
3D51463921EFFSG	E-Screen	PES	10 kDa	0.2 m ²
3D51463931EFFSG	E-Screen	PES	10 kDa	0.3 m ²
3D51465901EFFSG	E-Screen	PES	30 kDa	0.1 m ²
3D51465921EFFSG	E-Screen	PES	30 kDa	0.2 m ²
3D51465931EFFSG	E-Screen	PES	30 kDa	0.3 m ²

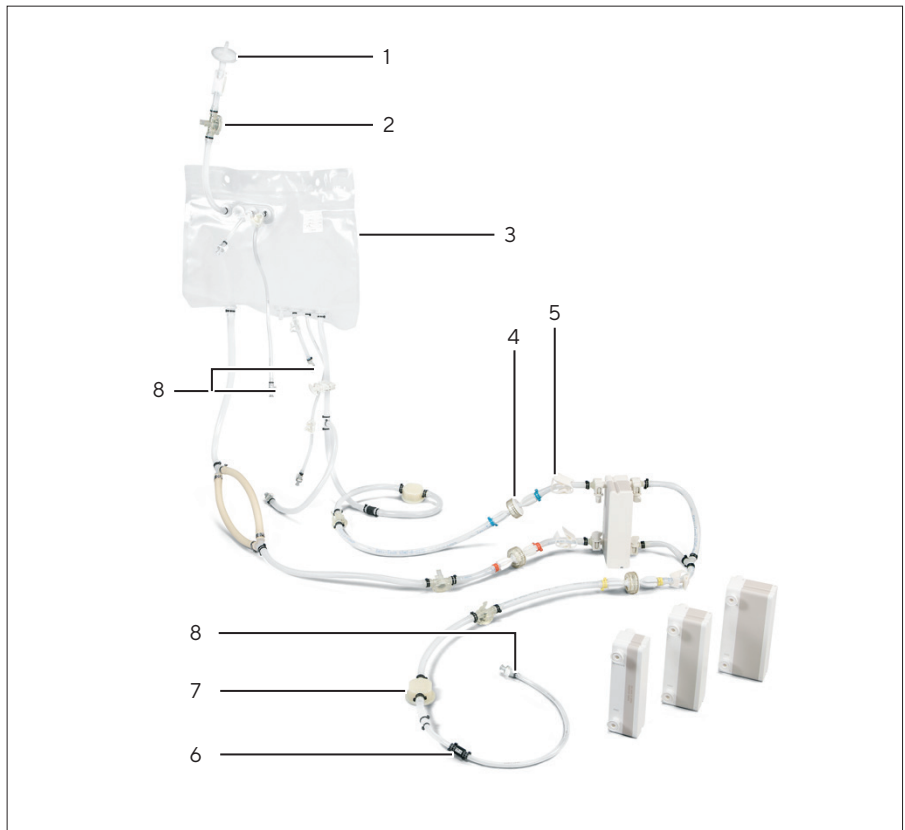


Fig. 4: Bag Loop Assembly

Pos.	Description
1	Vent filter
2	Pressure sensor
3	10 L bag
4	Opta® (connect according to colour coding)
5	Pinch clamp
6	Flow tube
7	Diaphragm valve
8	MPX Coupling Female 1/4"

Self Contained Bag Loop Assembly

Order No.	Screen	Membrane	MWCO	Effective Filtration Area
SFA-SU-1463901	E-Screen	PES	10 kDa	0.1 m ²
SFA-SU-1463921	E-Screen	PES	10 kDa	0.2 m ²
SFA-SU-1463931	E-Screen	PES	10 kDa	0.3 m ²
SFA-SU-1465901	E-Screen	PES	30 kDa	0.1 m ²
SFA-SU-1465921	E-Screen	PES	30 kDa	0.2 m ²
SFA-SU-1465931	E-Screen	PES	30 kDa	0.3 m ²
SFA-SU-1545801	W-Screen	PES	0.1 µm	0.1 m ²
SFA-SU-1545821	W-Screen	PES	0.1 µm	0.2 m ²
SFA-SU-1545831	W-Screen	PES	0.1 µm	0.3 m ²
SFA-SUM1443901	ECO	Hydrosart®	10 kDa	0.14 m ²
SFA-SUM1443921	ECO	Hydrosart®	10 kDa	0.28 m ²
SFA-SUM1443931	ECO	Hydrosart®	10 kDa	0.42 m ²
SFA-SUM1445901	ECO	Hydrosart®	30 kDa	0.14 m ²
SFA-SUM1445921	ECO	Hydrosart®	30 kDa	0.28 m ²
SFA-SUM1445931	ECO	Hydrosart®	30 kDa	0.42 m ²
SFA-SUM1446801	ECO	Hydrosart®	100 kDa	0.14 m ²
SFA-SUM1446821	ECO	Hydrosart®	100 kDa	0.28 m ²
SFA-SUM1446831	ECO	Hydrosart®	100 kDa	0.42 m ²
SFA-SUM1463901	ECO	PES	10 kDa	0.14 m ²
SFA-SUM1463921	ECO	PES	10 kDa	0.28 m ²
SFA-SUM1463931	ECO	PES	10 kDa	0.42 m ²
SFA-SUM1465901	ECO	PES	30 kDa	0.14 m ²
SFA-SUM1465921	ECO	PES	30 kDa	0.28 m ²
SFA-SUM1465931	ECO	PES	30 kDa	0.42 m ²
SFA-SUM1466801	ECO	PES	100 kDa	0.14 m ²
SFA-SUM1466821	ECO	PES	100 kDa	0.28 m ²
SFA-SUM1466831	ECO	PES	100 kDa	0.42 m ²
SFA-SUM1467901	ECO	PES	300 kDa	0.14 m ²
SFA-SUM1467921	ECO	PES	300 kDa	0.28 m ²
SFA-SUM1467931	ECO	PES	300 kDa	0.42 m ²

4.2 Sartocube® Slice and Sartocube® Self Contained with AseptiQuik®

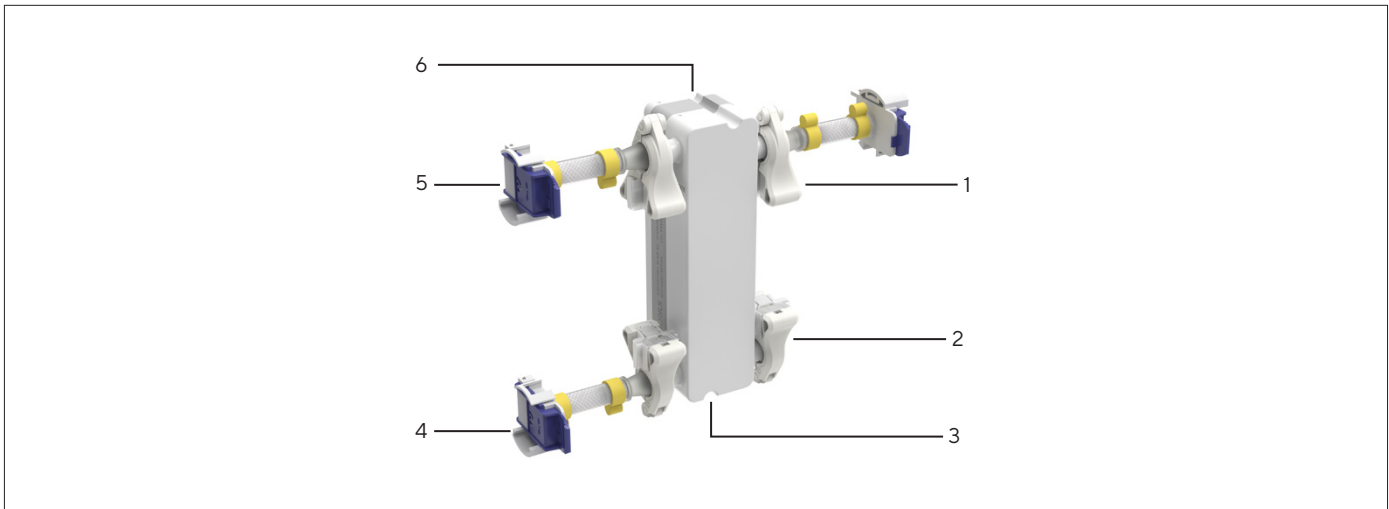


Fig. 5: Sartocube® Slice Self Contained

Pos.	Description
1	Permeate port* with AseptiQuik® G 3/8" sterile connector
2	Permeate port* closed
3	Notch for lower guide rod
4	Feed with AseptiQuik® G 3/8" sterile connector
5	Retentate with AseptiQuik® G 3/8" sterile connector
6	Notch for upper guide rod.

* TC-Clamp connection (TC)



Fig. 6: Sartocube® Self Contained

Pos.	Description
1	Feed port with AseptiQuik® L 1" sterile connector
2	Retentate port with AseptiQuik® L 1" sterile connector
3	Permeate port with AseptiQuik® G 3/4" sterile connector
4	Notch for lower guide rod
5	Notch for upper guide rod
6	Carrying straps (to support weight during lifting and transportation)

Sartocube® Self Contained

Order. No.	Screen	Membrane	Steril Connection	MWCO	Effective Filtration Area
SFM-AQ-1443901	ECO	Hydrosart®	AseptiQuik® G 3/8"	10 kDa	0.14 m ²
SFM-AQ-1443921	ECO	Hydrosart®	AseptiQuik® G 3/8" Feed, Retentate, Permeate	10 kDa	0.28 m ²
SFM-AQ-1443931	ECO	Hydrosart®	AseptiQuik® G 3/8" Feed, Retentate, Permeate	10 kDa	0.42 m ²
SFM-AQ-1443914	ECO	Hydrosart®	AseptiQuik® G 3/4" Feed, Retentate, Permeate	10 kDa	1.4 m ²
SFM-AQ-1443935	ECO	Hydrosart®	AseptiQuik® G 3/4" Feed, Retentate, Permeate	10 kDa	3.5 m ²
SFM-AQ-1443970	ECO	Hydrosart®	AseptiQuik® L 1" Feed, Retentate; AseptiQuik® G 3/4" Permeate	10 kDa	7 m ²
SFM-AQ-14439A4	ECO	Hydrosart®	AseptiQuik® L 1" Feed, Retentate; AseptiQuik® G 3/4" Permeate	10 kDa	14 m ²
SFM-AQ-1445901	ECO	Hydrosart®	AseptiQuik® G 3/8" Feed, Retentate, Permeate	30 kDa	0.14 m ²
SFM-AQ-1445921	ECO	Hydrosart®	AseptiQuik® G 3/8" Feed, Retentate, Permeate	30 kDa	0,28 m ²
SFM-AQ-1445931	ECO	Hydrosart®	AseptiQuik® G 3/8" Feed, Retentate, Permeate	30 kDa	0.42 m ²
SFM-AQ-1445914	ECO	Hydrosart®	AseptiQuik® G 3/4" Feed, Retentate, Permeate	30 kDa	1.4 m ²
SFM-AQ-1445935	ECO	Hydrosart®	AseptiQuik® G 3/4" Feed, Retentate, Permeate	30 kDa	3.5 m ²
SFM-AQ-1445970	ECO	Hydrosart®	AseptiQuik® L 1" Feed, Retentate; AseptiQuik® G 3/4" Permeate	30 kDa	7 m ²
SFM-AQ-14459A4	ECO	Hydrosart®	AseptiQuik® L 1" Feed, Retentate; AseptiQuik® G 3/4" Permeate	30 kDa	14 m ²
SFM-AQ-1446801	ECO	Hydrosart®	AseptiQuik® G 3/8" Feed, Retentate, Permeate	100 kDa	0.14 m ²
SFM-AQ-1446821	ECO	Hydrosart®	AseptiQuik® G 3/8" Feed, Retentate, Permeate	100 kDa	0.28 m ²
SFM-AQ-1446831	ECO	Hydrosart®	AseptiQuik® G 3/8" Feed, Retentate, Permeate	100 kDa	0.42 m ²
SFM-AQ-1446814	ECO	Hydrosart®	AseptiQuik® G 3/4" Feed, Retentate, Permeate	100 kDa	1.4 m ²
SFM-AQ-1446835	ECO	Hydrosart®	AseptiQuik® G 3/4" Feed, Retentate, Permeate	100 kDa	3.5 m ²

Order. No.	Screen	Membrane	Steril Connection	MWCO	Effective Filtration Area
SFM-AQ-1446870	ECO	Hydrosart®	AseptiQuik® L 1" Feed, Retentate; AseptiQuik® G ¾" Permeate	100 kDa	7 m ²
SFM-AQ-14468A4	ECO	Hydrosart®	AseptiQuik® L 1" Feed, Retentate; AseptiQuik® G ¾" Permeate	100 kDa	14 m ²
SFM-AQ-1447901	ECO	Hydrosart®	AseptiQuik® G ⅜" Feed, Retentate, Permeate	300 kDa	0.14 m ²
SFM-AQ-1447921	ECO	Hydrosart®	AseptiQuik® G ⅜" Feed, Retentate, Permeate	300 kDa	0.28 m ²
SFM-AQ-1447931	ECO	Hydrosart®	AseptiQuik® G ⅜" Feed, Retentate, Permeate	300 kDa	0.42 m ²
SFM-AQ-1447914	ECO	Hydrosart®	AseptiQuik® G ¾" Feed, Retentate, Permeate	300 kDa	1.4 m ²
SFM-AQ-1447935	ECO	Hydrosart®	AseptiQuik® G ¾" Feed, Retentate, Permeate	300 kDa	3.5 m ²
SFM-AQ-1447970	ECO	Hydrosart®	AseptiQuik® L 1" Feed, Retentate; AseptiQuik® G ¾" Permeate	300 kDa	7 m ²
SFM-AQ-14479A4	ECO	Hydrosart®	AseptiQuik® L 1" Feed, Retentate; AseptiQuik® G ¾" Permeate	300 kDa	14 m ²
SFM-AQ-1463901	ECO	PES	AseptiQuik® G ⅜" Feed, Retentate, Permeate	10 kDa	0.14 m ²
SFM-AQ-1463921	ECO	PES	AseptiQuik® G ⅜" Feed, Retentate, Permeate	10 kDa	0.28m ²
SFM-AQ-1463931	ECO	PES	AseptiQuik® G ⅜" Feed, Retentate, Permeate	10 kDa	0.42 m ²
SFM-AQ-1463914	ECO	PES	AseptiQuik® G ¾" Feed, Retentate, Permeate	10 kDa	1.4 m ²
SFM-AQ-1463935	ECO	PES	AseptiQuik® G ¾" Feed, Retentate, Permeate	10 kDa	3.5 m ²
SFM-AQ-1465901	ECO	PES	AseptiQuik® G ⅜" Feed, Retentate, Permeate	30 kDa	0.14 m ²
SFM-AQ-1465921	ECO	PES	AseptiQuik® G ⅜" Feed, Retentate, Permeate	30 kDa	0.28 m ²
SFM-AQ-1465931	ECO	PES	AseptiQuik® G ⅜" Feed, Retentate, Permeate	30 kDa	0.42 m ²
SFM-AQ-1465914	ECO	PES	AseptiQuik® G ¾" Feed, Retentate, Permeate	30 kDa	1.4 m ²
SFM-AQ-1465935	ECO	PES	AseptiQuik® G ¾" Feed, Retentate, Permeate	30 kDa	3.5 m ²

Order. No.	Screen	Membrane	Steril Connection	MWCO	Effective Filtration Area
SFM-AQ-1466801	ECO	PES	AseptiQuik® G 3/8" Feed, Retentate, Permeate	100 kDa	0.14 m ²
SFM-AQ-1466821	ECO	PES	AseptiQuik® G 3/8" Feed, Retentate, Permeate	100 kDa	0.28 m ²
SFM-AQ-1466831	ECO	PES	AseptiQuik® G 3/8" Feed, Retentate, Permeate	100 kDa	0.42 m ²
SFM-AQ-1466814	ECO	PES	AseptiQuik® G 3/4" Feed, Retentate, Permeate	100 kDa	1.4 m ²
SFM-AQ-1466835	ECO	PES	AseptiQuik® G 3/4" Feed, Retentate, Permeate	100 kDa	3.5 m ²
SFM-AQ-1467901	ECO	PES	AseptiQuik® G 3/8" Feed, Retentate, Permeate	300 kDa	0.14 m ²
SFM-AQ-1467921	ECO	PES	AseptiQuik® G 3/8" Feed, Retentate, Permeate	300 kDa	0.28 m ²
SFM-AQ-1467931	ECO	PES	AseptiQuik® G 3/8" Feed, Retentate, Permeate	300 kDa	0.42 m ²
SFM-AQ-1467914	ECO	PES	AseptiQuik® G 3/4" Feed, Retentate, Permeate	300 kDa	1.4 m ²
SFM-AQ-1467935	ECO	PES	AseptiQuik® G 3/4" Feed, Retentate, Permeate	300 kDa	3.5 m ²

AseptiQuik® is a registered trademark of Colder Products Company.

4.3 Sartocube® Self Contained Assemblies

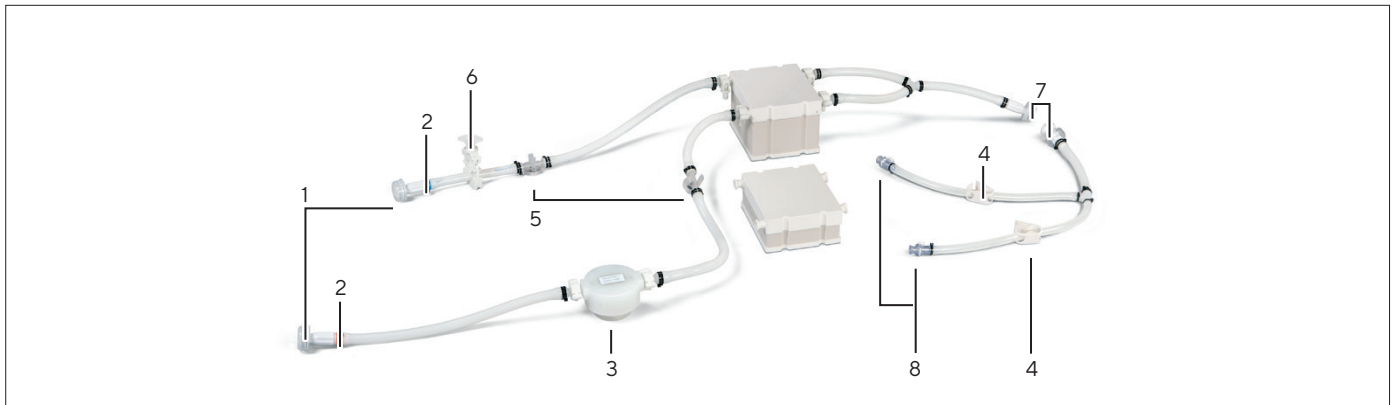


Fig. 7: Filter Loop Assembly

Pos.	Description
1	Opta® Male ½" HB
2	Colour-coded cable tie
3	Single Use pump head
4	Pinch clamp
5	Pressure domes
6	TMP Control valve
7	Opta® (connect according to colour coding)
8	MPX ½" male coupling

Filter Loop Assemblies for Flexact®

Order No.	Screen	Membrane	MWCO	Effective Filtration Area
4XC48	E-Screen	Hydrosart®	5 kDa	1.2 m ²
4XC31	ECO	Hydrosart®	10 kDa	1.4 m ²
4XC27	ECO	Hydrosart®	10 kDa	3.5 m ²
4XC40	ECO	PES	10 kDa	1.4 m ²
4XC41	ECO	PES	10 kDa	3.5 m ²
4XC32	ECO	Hydrosart®	30 kDa	1.4 m ²
4XC28	ECO	Hydrosart®	30 kDa	3.5 m ²
4XC34	ECO	PES	30 kDa	1.4 m ²
4XC37	ECO	PES	30 kDa	3.5 m ²
4XC29	ECO	Hydrosart®	100 kDa	1.4 m ²
4XC33	ECO	Hydrosart®	100 kDa	3.5 m ²
4XC35	ECO	PES	100 kDa	1.4 m ²
4XC38	ECO	PES	100 kDa	3.5 m ²
4XC36	ECO	PES	300 kDa	1.4 m ²
4XC39	ECO	PES	300 kDa	3.5 m ²



Fig. 8: Example Custom Filter Assembly

Pos.	Description
1	Colour-coded cable tie
2	Opta® Male ½" HB
3	Opta® Female ½" HB



Fig. 9: Example Custom Filter Assembly

Pos.	Description
1	Oetiker® Clamp
2	Opta® Male ½" HB
3	Opta® Female ½" HB

Custom Filter Assembly

Order No.	Screen	Membrane	MWCO	Effective Filtration Area
SFM-OP-1445901	ECO	Hydrosart®	30 kDa	0.14 m ²
SFM-OP-1445921	ECO	Hydrosart®	30 kDa	0.28 m ²
SFM-OP-1445931	ECO	Hydrosart®	30 kDa	0.42 m ²
SFB-LY-1466814 ¹	E-Screen	PES	100 kDa	1.4 m ²
SFM-OP-1445907 ²	ECO	Hydrosart®	30 kDa	0.7 m ²
SFM-OP-1445914 ²	ECO	Hydrosart®	30 kDa	1.4 m ²
SFM-OP-1445935 ²	ECO	Hydrosart®	30 kDa	3.5 m ²

¹ Customized product.

² Only available with Oetiker® Clamp.

Oetiker® is a registered trademark of the Oetiker Group.

Pre-Rinsing at the Factory

The cassettes have been pre-rinsed at the factory with deionized water and then sterilized by gamma irradiation. The filtration device contains no preservatives.

More information about the product can be found in the "Validation Guide".

The Validation Guide is available upon request from your local application specialists.

5 Installation

5.1 Unpacking

Depending on the configuration the product is packaged differently.

- ▶ Open the cardboard box.
- ▶ Check that the packaging material is **not** damaged.

On the cardboard box and on the first Polypropylene bag, a label with a Gamma irradiation indicator can be found. This indicator is yellow before irradiation and turns red after irradiation.

- ▶ Ensure that the indicator is turned red on the outside box and the first bag.
- ▶ Make a note of the tag batch number and article number.
- ▶ Observe the storage instructions. Storage temperatures should be between +2 °C and +35 °C.
- ▶ There is residual fluid in the cassette. The membrane requires residual moisture in order to retain its filtration properties. For pre-rinsing the cassette, see the (chapter “5.3.1 Rinsing Cassettes”, page 21).
- ▶ Slight discoloration spots inside the Self Contained assembly might be visible. During gamma irradiation discoloration might be created. This discoloration has no impact on functionality and will be flushed out below detection limit if the recommended flushing procedure is followed. The discoloration spots are nontoxic.

5.2 Notes on System Setup

Observe the following when setting up the system and during operation:

- Avoid abrupt changes in pressures (approx. >1 bar/sec.), like those that can occur when the pump is switched on or the valve settings are changed.
- Avoid vibrations as much as technically feasible.
- As far as possible, operate hydraulic clamping elements in such a way that the effective clamping force is not affected during operation.
- Ensure that crystallization does **not** occur during operation or storage due to temperature or concentration changes.
- Ensure that the tubing lines used are able to withstand the operating pressure.

IMPORTANT

The backpressure on the filtrate side (P_{back}) for Hydrosart® membrane must **not** exceed 0.5 bar.

⚠ WARNING

Do **not** exceed the maximum pressures (chapter “7.1 Technical Specifications”, page 24).

The backpressure on the filtrate side is defined as:

Backpressure on the filtrate side (P_{back}) occurs when the permeate pressure is higher than the retentate pressure.

$$P_{perm} > P_{ret}$$

$$P_{back} = P_{perm} - P_{ret}$$

This should especially be taken into consideration if hydrostatic conditions (e.g., tank height and pipe diameter) are influencing the backpressure.

► Ensure that these values are not exceeded.

Note that there is a difference between the transmembrane pressure (TMP)

$$TMP = [(P_{feed} + P_{ret}) : 2] - P_{perm}$$

and the differential pressure

$$P_{diff} = P_{feed} - P_{ret}$$

The following must be noted:

Monitor TFF conditions during filtration. When filtering under static conditions (dead-end filtration), the filtration performance of the cassettes is rapidly reduced (see chapter "6 Filtration", page 23).

Components of a Complete TFF System

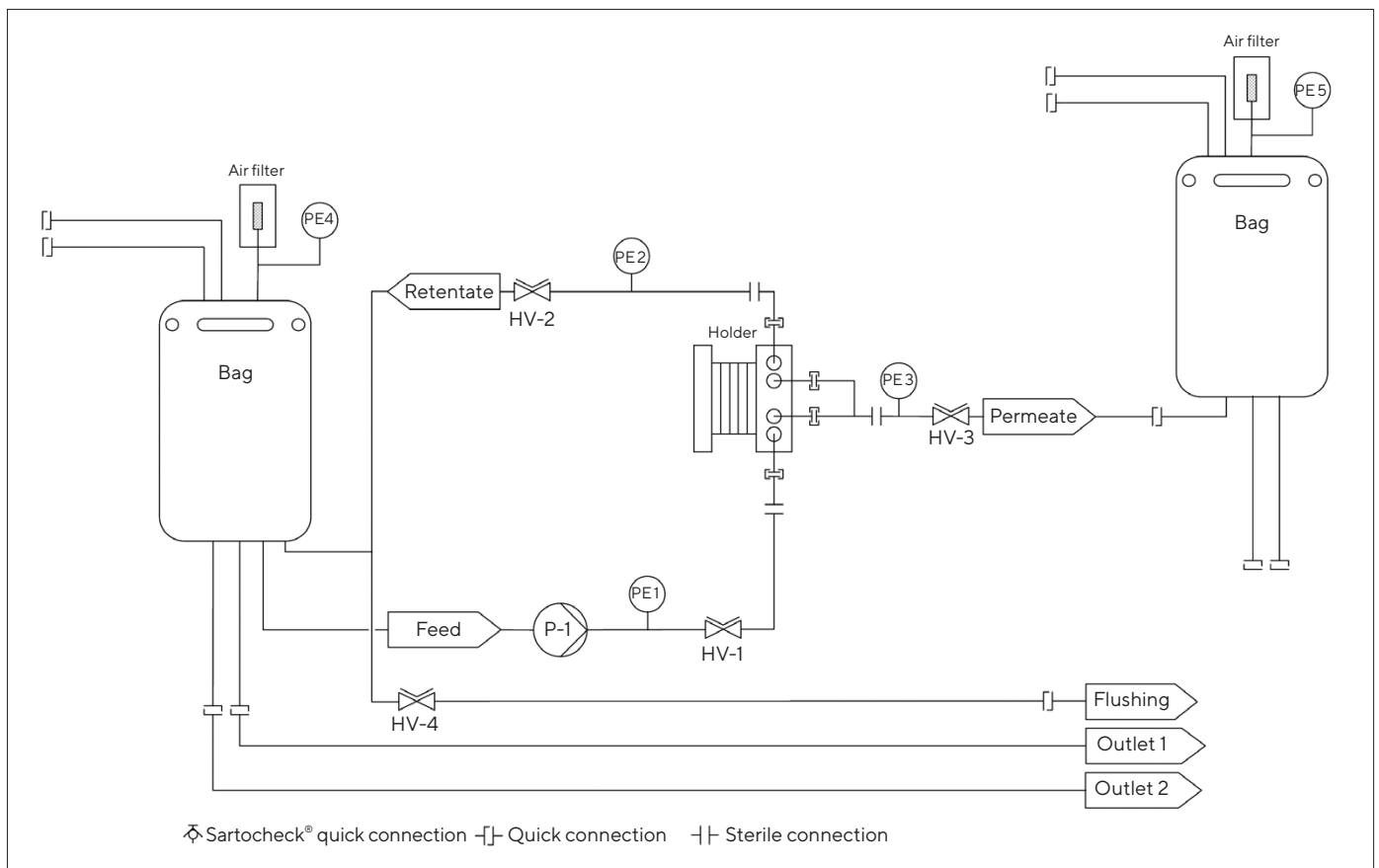


Fig.10: Drawing: TFF system

5.3 Installing the Cassette Into the Filter Holder

⚠ WARNING

Danger of personal injury and property damage caused by incorrect installation of the cassettes!

Ensure the correct orientation of the connectors and slots when installing the cassette (see chapter “4 Components Filter Device”, page 9).

⚠ WARNING

If you use filter holders (clamping elements) from other manufacturers, different clamping forces may be required!

Ensuring safety when using filter holders from other manufacturers is the sole responsibility of the user of these filters. Improper handling with filter holders from other manufacturers will void the filter warranty.

IMPORTANT

Observe the instructions for the Sartocon® Slice filter holder with trapezoidal threads, PEEK washers and bronze clamping nuts:

- Replace the clamping nuts and the trapezoidal threads if they show wear. Please refer to the user manual for the filter holder.
 - Before each use, the PEEK plain washers must be cleaned with water in order to completely maintain the functionality of the filter holder. After every 10 uses, the plain washers should be replaced with new ones.
 - Keep the thread of the pull rods and tensioning nuts clean and, above all, free of grease! If the threading becomes contaminated with grease or dirt, the tensioning forces will be affected and the cassettes may be destroyed.
-

Proceed as follows to clamp the cassette in the filter holder:

- ▶ Remove the cassette from the packaging.
- ▶ Check again that the cassette type is correct.
- If the Sartocon® Slice or Sartocube® Self Contained TFF cassette is installed into a different holder than currently supplied by Sartorius Stedim Biotech, please make sure to check required compression of the holder with a clamp force measuring device. To avoid cassette damage, please contact our application specialist.
- Preferably a Sartorius TFF System should be used with Sartocon® Slice or Sartocube® Self Contained cassettes. If a system with a manual holder is used, please check the clamp force on a regular basis.

Use of the Cassette in the filter holder

- ▶ Insert the cassette according to the selected filter holder. Please refer to the user manual for the filter holder.
- Ensure the correct orientation of the slots when mounting the cassette. The slots of the cassette must be aligned so that they accommodate the upper and lower tie rod of the filter holder.

⚠ CAUTION

Do **not** forget the upper stay bars | connecting rods when using hydraulic clamping elements.

- ▶ Tension the cassette in the filter holder with the recommended torque wrench or with the appropriate hydraulic pressure. Follow the instructions in the user manual for the filter holder.
- ▶ Maintain the required clamping forces (see chapter “7.2 Clamping Forces”, page 25).
- ▶ Connecting the cassette with sterile connectors:
 - For information on inserting the hoses, sensors and the pump head, refer to the operating instructions of the TFF system.

5.3.1 Rinsing Cassettes

IMPORTANT

Before using a cassette, it is required to rinse the assembly to meet EP and USP requirements with deionized water, buffer or physiological saline solution as listed in the table below.

Filtration area [m ²]	Rinsing volume [L]
0.1–0.42	10
0.7–3.5	50
7	100
14	200

- ▶ Set the inlet pressure (P_{feed}) to 1 bar.
- ▶ Limit the retentate outlet sufficiently so that the ratio of permeate flow to retentate flow is 1:1.
- ▶ Drain the permeate and retentate.
- ▶ After approx. 33% of the rinsing agent has been used, stop pump for 15 minutes and let the rinsing liquid sit within the system, then start pump again.

5.3.2 Integrity Test

Each cassette is fully tested at Sartorius. It is therefore recommended that no other integrity test be carried out on-site.

Cassette configuration	Integrity test limit at 1 bar test pressure
Hydrosart® Sartocube® Slice Self Contained with 0.1 to 0.42 m ² filtration area	≤ 5 mL/min
PES Sartocube® Slice Self Contained with 0.1 to 0.42 m ² filtration area	≤ 15 mL/min
Hydrosart® and PES Sartocube® Self Contained with 0.7 to 3.5 m ² filtration area	≤ 50 mL/min
Hydrosart® and PES Sartocube® Self Contained with 7 m ² filtration area	≤ 75 mL/min
Hydrosart® and PES Sartocube® Self Contained with 14 m ² filtration area	≤ 100 mL/min

5.4 Information about Complaints

If you would like to send cassettes to Sartorius Stedim Biotech for review, please ensure the following:

- that the customer service is contacted, who will provide you with a return authorization form.
- that the cassettes have been completely cleaned;
- that the cassettes have been disinfected;
- that the following information is provided:
 - the medium that was filtered using the cassettes;
 - any errors that were observed;
 - the operating parameters in use at the time of filtration (pressure settings, operating time, process cycles, cleaning conditions, operating temperature);
 - cleaning method used;
 - disinfecting agent used.

6 Filtration

A critical moment for tangential flow filtration is at start up. The medium to be filtered reaches a clean membrane surface. It has not yet formed a gel layer (secondary layer), and the speed at which the retentate flow passes the membrane is still not constant or sufficient for TFF conditions.

⚠ CAUTION

Risk of injury and property damage caused by overpressure!

The pressure of the inlet P_{feed} must **not** exceed 3 bar. All SFM-OP-144... Self Contained cassettes up to 1.4m² are qualified to withstand a pressure of 4 bar.

- The cassettes may be damaged if the pressure is higher.

IMPORTANT

The backpressure on the permeate side must not exceed 0.5 bar for Hydrosart® Membrane!

To start the filtration process, always proceed as follows:

- ▶ Make sure that the permeate area is filled with one of the liquids listed below:
 - the final rinse water
 - isotonic saline solution.

To prime the system using one of the liquids listed above, follow the directions given in (Chapter “5.3.1 Rinsing Cassettes”, page 21).

- ▶ At the beginning of the filtration process, partly close the permeate outlets.
- ▶ Introduce the process fluid into the system. Generate the desired TFF rate.
- ▶ Open the permeate outlet valve until the desired TMP is reached.
- ▶ Make sure that the desired TFF rate for the process is maintained.
 - Ensure that the TFF rate is sufficient.
 - If the transmembrane pressure (TMP) is low, ensure that a high TFF rate is set.
- ▶ For information about the reference values for your solution, ask our application specialists.

During filtration, the crossflow rate should be held constant. If viscosity increases during filtration, ensure to keep the crossflow rate constant to avoid gel layer formation.

7 Technical Data

7.1 Technical Specifications

7.1.1 Sartocoon® Slice Self Contained

Membrane	Order No.	pH Stability	Maximum Inlet Pressure at 20°C [bar]	Permanent Operating Temperature Range [°C]
Hydrosart®	SFA-SUM144...	2-10	3	2-40
Hydrosart®	SFA-SU-144...	2-10	3	2-40
Hydrosart®	SFM-AQ-144...	2-10	4	2-40
Hydrosart®	SFM-OP-144...	2-10	3	2-40
Hydrosart®	3D514459...	2-10	3	2-40
PES	SFA-SUM146...	1-10	3	2-40
PES	SFA-SU-146...	1-10	3	2-40
PES	SFA-SU-15458..	1-10	3	2-40
PES	SFM-AQ-146...	2-10	3	2-40

7.1.2 Sartocube® Self Contained

Membrane	Order No.	pH Stability	Maximum Inlet Pressure at 20°C [bar]	Permanent Operating Temperature Range [°C]
Hydrosart®	4XC27 4XC28, 4XC29, 4XC31, 4XC32, 4XC33, 4XC48	2-10	3	2-40
PES	4XC34, 4XC35, 4XC36, 4XC37, 4XC38, 4XC39, 4XC40, 4XC41	1-10	3	2-40
PES	SFB-LY-1466814...	1-10	3	2-40
Hydrosart®	SFM-OP-1445914	2-10	3	2-40
Hydrosart®	SFM-OP-1445935	2-10	3	2-40
Hydrosart®	SFM-OP-1445907	2-10	3	2-40
Hydrosart®	SFM-AQ-144... 14	2-14	4	2-40
Hydrosart®	SFM-AQ-144... 35	2-14	3	2-40
Hydrosart®	SFM-AQ-144... 07	2-14	3	2-40
Hydrosart®	SFM-AQ-144... A4	2-14	3	2-40
PES	SFM-AQ-146...	1-14	3	2-40

7.2 Clamping Forces

7.2.1 Sartocoon® Slice Self Contained

Membrane	Sartocoon® Slice Filter Holder		Sartocoon® Slice filter holder with trapezoidal thread, PEEK washers and bronze clamping nuts
	Required Clamping Force	Required Torque	Required Torque
Hydrosart®	10 – 14 kN	20 Nm	17 Nm
PES	14 – 17 kN	25 Nm	17 Nm

Sartocoon® Slice Self Contained Holder with Hydraulic Piston (12.5 cm²)

	Required Clamping Force, Operating Conditions	Hydraulic Pressure, Operating Conditions
Hydrosart®	10 – 14 kN	80 – 115 bar 1,200 – 1,650 psi
PES	14 – 17 kN	115 – 140 bar 1,650 – 2,000 psi

7.2.2 Sartocube® Self Contained

Sartocube® Self Contained Holder, Hydraulic

	Required Compression Operating Parameters	Hydraulic Pressure Operating Parameters for Hydraulic Holder with 12.5 cm ² Piston
Hydrosart®	18 – 22 kN	150 – 170 bar 2,175 – 2,465 psi
PES	22 – 25 kN	170 – 200 bar 2,465 – 2,900 psi

Sartocube® Self Contained Holder, Manual with Ball Bearing

	Required Compression Operating Parameters	Torque Applied with a Torque Wrench Operating Parameters
Hydrosart®	18 – 22 kN	60 Nm
PES	22 – 25 kN	80 Nm

* After every tenth time of use, the PEEK washers should be replaced. The bronze nut or the trapezoidal thread should be replaced as soon as abrasion is visible. It is essential that the bronze nut and the trapezoidal thread are kept clean.

7.3 Component Overview

Membrane	MWCO	Order No.	Effective Filtration Area [m ²]	Frame	Mesh	Mounting Plates	Sealing Material
Hydrosart®	10 kDa, 30 kDa, 100 kDa	SFA-SUM144...	0.14; 0.28; 0.42	PP	PP	Stabilized Polypropylene	Silicone Grey
PES	10 kDa, 30 kDa, 100 kDa, 300 kDa	SFA-SUM146...	0.14; 0.28; 0.42	PP	PP	Stabilized Polypropylene	Silicone Grey
PES	10 kDa, 30 kDa	SFA-SU-146...	0.1; 0.2; 0.3	PVDF	PP	Stabilized Polypropylene	Silicone Grey
PES	0.1 µm	SFA-SU-15458	0.1; 0.2; 0.3	PVDF	PP	Stabilized Polypropylene	Silicone Grey
PES	10 kDa, 30 kDa	3D5146...	0.1; 0.2; 0.3	PVDF	PP	Stabilized Polypropylene	Silicone Grey
Hydrosart®	10 kDa, 30 kDa	3D5144....	0.14; 0.28; 0.42	PP	PP	Stabilized Polypropylene	Silicone Grey
Hydrosart®	30 kDa	SFM-OP-144...	0.14; 0.28; 0.42; 0.7; 1.4; 3.5	PP	PP	Stabilized Polypropylene	Silicone Grey
Hydrosart®	10 kDa, 30 kDa, 100 kDa, 300kDa	SFM-AQ-144...	0.14; 0.28; 0.42; 1.4; 3.5; 7; 14	PP	PP	Stabilized Polypropylene	Silicone Grey
PES	10 kDa, 30 kDa, 100 kDa, 300 kDa	SFM-AQ-146...	0.14; 0.28; 0.42; 1.4; 3.5	PP	PP	Stabilized Polypropylene	Silicone Grey
Hydrosart®	5 kDa	4XC48	1.2	PVDF	PP	Stabilized Polypropylene	Silicone Grey
Hydrosart®	10 kDa	4XC27; 4XC31	1.4; 3.5	PP	PP	Stabilized Polypropylene	Silicone Grey
Hydrosart®	30 kDa	4XC28; 4XC32	1.4; 3.5	PP	PP	Stabilized Polypropylene	Silicone Grey
Hydrosart®	100 kDa	4XC29; 4XC33	1.4; 3.5	PP	PP	Stabilized Polypropylene	Silicone Grey
PES	10 kDa	4XC40; 4XC41	1.4; 3.5	PP	PP	Stabilized Polypropylene	Silicone Grey
PES	30 kDa	4XC34; 4XC37	1.4; 3.5	PP	PP	Stabilized Polypropylene	Silicone Grey
PES	100 kDa	4XC35; 4XC38	1.4; 3.5	PP	PP	Stabilized Polypropylene	Silicone Grey
PES	300 kDa	4XC36; 4XC39	1.4; 3.5	PP	PP	Stabilized Polypropylene	Silicone Grey
PES	100 kDa	SFB-LY-146..	1.4	PVDF	PP	Stabilized Polypropylene	Silicone Grey

8 Disposal

8.1 General Notes

If the packaging is no longer needed, it can be disposed of by local waste disposal authorities. The packaging is made of environmentally friendly materials that can be reused as secondary raw material.

8.2 Hazardous Materials

If non-hazardous residual impurities are present, the EWC waste code 150203 (European Waste Catalogue) for absorbents and filter materials, wiping cloths and protective clothing can be applied.

If the filters are contaminated with hazardous materials, the EWC waste code 150202* for absorbents and filter materials contaminated with hazardous materials should be used.

If in doubt, contact your local waste authority.

* Hazardous waste that requires special monitoring under the German laws on the recovery and recycling of waste.

Inhalt

1	Über dieses Dokument	29
1.1	Mitgeltende Dokumente	30
1.2	Darstellungsmittel	30
2	Lagerung ungebrauchter Cassetten	31
3	Sicherheitshinweise	32
3.1	Allgemeine Sicherheitshinweise	32
3.2	Informelle Sicherheitsmaßnahmen	32
3.3	Bestimmungsgemäße Verwendung	32
3.4	Gefahr durch unsachgemäße Handhabung	33
4	Bestandteile der Filtevorrichtung	34
4.1	Sartocon® Slice Self Contained	34
4.2	Sartocon® Slice and Sartocube® Self Contained mit AseptiQuick®	37
4.3	Sartocube® Self Contained Assemblies	41
5	Installation	43
5.1	Auspacken	43
5.2	Hinweise zur Anlagenauslegung	43
5.3	Cassette im Filterhalter installieren	45
5.3.1	Spülvorgang	46
5.3.2	Integritätstest	47
5.4	Hinweise zur Reklamation	47
6	Filtrieren	48
7	Technische Daten	49
7.1	Technische Spezifikationen	49
7.1.1	Sartocon® Slice Self Contained	49
7.1.2	Sartocube® Self Contained	49
7.2	Einspannkräfte	50
7.2.1	Sartocon® Slice Self Contained	50
7.2.2	Sartocube® Self Contained	50
7.3	Komponentenübersicht	51
8	Entsorgung	52
8.1	Allgemeine Hinweise	52
8.2	Gefahrstoffe	52

1 Über dieses Dokument

Diese Bedienungsanleitung liefert Ihnen alle Informationen, die Sie für die Installation der Sartocoon® Slice Self Contained und Sartocube® Self Contained Cassetten benötigen. Im Folgenden werden beide Cassetten auch Produkt oder Cassette genannt.

- Die Bedienungsanleitung informiert Sie wie Sie das Produkt sicherheitsgerecht einsetzen.

Die Bedienungsanleitung muss von allen Personen gelesen, verstanden und angewendet werden, die mit dem Einbau und der Nutzung des Produkts beauftragt sind. Das gilt insbesondere für die aufgeführten Sicherheitshinweise.

- Lesen sie diese Bedienungsanleitung aufmerksam und vollständig durch, bevor Sie mit der Cassette arbeiten.
- Diese Bedienungsanleitung ist Teil des Produkts. Bewahren Sie sie gut erreichbar und sicher am Einsatzort des Geräts auf.
- Bei Verlust der Bedienungsanleitung können Sie Ersatz anfordern oder die aktuelle Anleitung von der Sartorius Website herunterladen: www.sartorius.com

Ergänzend zur Bedienungsanleitung sind allgemeingültige, gesetzliche und sonstige verbindliche Regelungen zur Unfallverhütung und zum Umweltschutz des Anwenderlands zu beachten.

Die Bedienungsanleitung ist ständig am Einsatzort der Cassette aufzubewahren.

- Die Gewährleistung gilt für fertigungsbedingte Fehler und Funktionsmängel.
- Das Gerät ist für übliche Laborbedingungen und Techniken ausgelegt.

Die Bedienungsanleitung beschreibt das Produkt zu dem bei der Revisions-Nr. angegebenen Zeitpunkt der Druckausgabe. Alle Angaben wurden sorgfältig zusammengestellt, erfolgen jedoch ohne Gewähr. Die Sartorius Stedim Biotech GmbH behält sich Änderungen in Aufbau und Ausstattung ihrer Produkte sowie der zugehörigen Dokumentationen vor, ohne gesondert darauf hinzuweisen. Aufgrund der ständigen Weiterentwicklung der Produkte besteht die Möglichkeit, dass einzelne Bauteile bzw. ihre Bedienung nicht beschrieben sind. Auch können Angaben enthalten sein, die für Ihre Installation nicht zutreffen. Sollten für Sie wichtige Informationen fehlen, sollten Sie sachliche Fehler finden oder ausführlichere Informationen zu einzelnen Bauteilen wünschen, weisen Sie uns bitte darauf hin.

Wenn Sie Fragen zu unserem Produktprogramm oder zum Umgang mit der Cassette haben, die in dieser Bedienungsanleitung nicht beantwortet werden, wenden Sie sich an:

Sartorius Stedim Biotech GmbH
August-Spindler-Straße 11
37079 Göttingen, Germany

Telefon +49 551 308 0
Fax +49 551 308 289
info@sartorius.com
www.sartorius.com

1.1 Mitgeltende Dokumente

Diese Bedienungsanleitung beschreibt die Installation des Produkts mit den dafür vorgesehenen Standardausrüstungen.

Beachten Sie ergänzend zu dieser Anleitung die Bedienungsanleitung des Filterhalters.

1.2 Darstellungsmittel

Als Hinweis und zur direkten Warnung vor Gefahren sind besonders zu beachtende Textaussagen in dieser Bedienungsanleitung wie folgt gekennzeichnet:

WARNUNG

Dieser Hinweis kennzeichnet eine mögliche Gefährdung mit mittlerem Risiko, die Tod oder (schwere) Körperverletzung zur Folge haben kann, wenn sie nicht vermieden wird.

VORSICHT

Dieser Hinweis kennzeichnet eine mögliche Gefährdung mit geringem Risiko, die eine mittelschwere oder leichte Körperverletzung zur Folge haben kann, wenn sie nicht vermieden wird.

ACHTUNG

Dieser Hinweis kennzeichnet eine Gefährdung mit geringem Risiko, die Sachschäden zur Folge haben könnte, wenn sie nicht vermieden wird.

HINWEIS

Dieses Symbol

- gibt einen Hinweis zu einer Funktion oder Einstellung an dem Gerät.
 - gibt einen Hinweis zur Vorsicht beim Arbeiten.
 - kennzeichnet nützliche Informationen.
-

Des Weiteren werden folgende Darstellungsmittel verwendet:

- Texte, die dieser Markierung folgen, sind Aufzählungen.
- ▶ Texte, die dieser Markierung folgen, beschreiben Tätigkeiten, die in der vorgegebenen Reihenfolge auszuführen sind.
- ▷ Texte, die dieser Markierung folgen, beschreiben das Ergebnis einer Handlung.
- „ “ Texte in Anführungszeichen sind Verweise auf andere Kapitel oder Abschnitte.
- () Texte mit diesem vorangestelltem Symbol sind Verweise auf andere Kapitel, Abschnitte oder Dokumente.

2 Lagerung ungebrauchter Cassetten

IMPORTANT

Filtrationseinheiten mit Bestellnummern, die mit 4XC... und SFA... beginnen, können bis zu 1 Jahr nach dem Herstellungsdatum verwendet werden.

Filtrationsanlagen mit Bestellnummern, die mit SFM... und SFB... beginnen, können bis zu 2 Jahre nach dem Herstellungsdatum verwendet werden.

Folgende Lagerbedingungen müssen erfüllt werden um die Funktionalität gewährleisten zu können:

ACHTUNG

Die Cassetten müssen in einem geschlossenen und trockenen Raum gelagert werden.

ACHTUNG

Die Lagertemperatur muss sich zwischen 2 °C und 35 °C befinden. Absolut Frostfrei.

ACHTUNG

Keine direkte Sonneneinstrahlung.

ACHTUNG

Keine Feuchtigkeit.

ACHTUNG

Jegliche Art von mechanischer Belastung muss vermieden werden.

ACHTUNG

Cassetten in beschädigter Verpackung sollten verworfen werden.

3 Sicherheitshinweise

3.1 Allgemeine Sicherheitshinweise

- Verwenden Sie das Produkt nur bestimmungsgemäß (siehe Kapitel „3.3 Bestimmungsgemäße Verwendung“, Seite 32).
- Unterlassen Sie beim Betrieb des Produkts jede Arbeitsweise, die die Sicherheit des Geräts beeinträchtigt.
- Halten Sie den Arbeitsbereich des Produkts immer sauber und ordentlich, um Gefahren durch Schmutz und herumliegende Teile zu vermeiden.
- Alle Arbeiten am Produkt dürfen nur durch eingewiesenes Personal vorgenommen werden.

3.2 Informelle Sicherheitsmaßnahmen

- Beachten Sie zusätzlich zur Bedienungsanleitung die landesrechtlichen Bestimmungen zur Unfallverhütung und zum Umweltschutz.

Beachten Sie folgende Hinweise:

- Diese Dokumentation wurde entsprechend den gesetzlichen Vorschriften und Richtlinien erstellt. Sie ist so aufgebaut, dass sie von entsprechend eingewiesenem Personal umgesetzt und angewandt werden kann. Tätigkeiten, welche über das beschriebene Maß hinausgehen, sind ausschließlich dem (Service-) Personal der Sartorius Stedim Biotech GmbH vorbehalten.
- Laborleiter bzw. für den Geräteeinsatz verantwortliche Personen müssen das Personal auf die Gefahren bei der Installation und dem Betrieb der Sartocube® Self Contained und Sartocube® Self Contained hinweisen und die Einhaltung der relevanten Sicherheitsmaßnahmen gewährleisten. Das Personal muss die erforderliche Qualifikation für den Anwendungsbereich und den Umgang mit den Cassetten besitzen.
- Die Angaben zur Installation und Bedienung sind sorgfältig zu beachten. Damit lässt sich ein unsachgemäßer Umgang vermeiden und der volle Gewährleistungsanspruch bleibt erhalten. Setzen Sie sich bei Fragen dazu mit uns in Verbindung.
- Nichtbeachten der Sicherheitshinweise kann z.B. Schäden an den Cassetten oder sonstige Sach- und gegebenenfalls auch Personenschäden nach sich ziehen.
- Vor jeder Verwendung die einwandfreie Beschaffenheit aller Komponenten kontrollieren.



Abb.1: Anwendungsbeispiel:
Sartocube® Self Contained Filterhalter



Abb.2: Anwendungsbeispiel:
Sartoflow® SU Filterhalter

3.3 Bestimmungsgemäße Verwendung

Die TFF-Cassetten Sartocube® Self Contained und Sartocube® Self Contained sind als gebrauchsfertige Einwegprodukte konzipiert.

Zum Filtrieren ist ein Filterhalter (Einspannvorrichtung) erforderlich, zum Beispiel der Sartocube® Self Contained Filterhalter oder der Sartoflow® SU Filterhalter. Der Halter kann Teil des Sartorius Systems oder ein einzelner Sartorius SU Filterhalter sein.

3.4 Gefahr durch unsachgemäße Handhabung

⚠️ WARNUNG

Verletzungsgefahr durch unsachgemäße Handhabung!

Lesen Sie vor dem Einbau der Cassetten unbedingt die Bedienungsanleitung des Filterhalters. Bei falscher Handhabung des Filterhalters können schwere Verletzungen verursacht werden oder die Cassette wird zerstört.

⚠️ WARNUNG

Gefahr durch Verwendung nicht geeigneten Zubehörs!

Betreiben Sie das Produkt ausschließlich mit Original-Zubehörteilen. Beim Einsatz anderer Komponenten kann eine sichere Nutzung und Leistung der Geräte nicht garantiert werden.

ACHTUNG

Die genannten Einspannkkräfte dürfen nicht überschritten werden!

(siehe Kapitel „7.2 Einspannkkräfte“, Seite 50)

ACHTUNG

Alle Cassetten, unabhängig vom Membrantyp, dürfen nicht austrocknen!

Die Membranen verlieren ihre Filtrationseigenschaften, wenn sie austrocknen.

ACHTUNG

Beachten Sie die Beständigkeiten für Chemikalien!

Die Membranen können beschädigt werden, wenn Sie andere Chemikalien verwenden. Die Beständigkeiten für Chemikalien können dem „Validation Guide“ entnommen werden.

- Bei Fragen zur Chemikalienbeständigkeit Ihrer Membranen wenden Sie sich bitte an unsere Anwendungsspezialisten.
-

ACHTUNG

Setzen Sie keine beschädigten Komponenten ein!

4 Bestandteile der Filtervorrichtung

4.1 Sartocube® Slice Self Contained

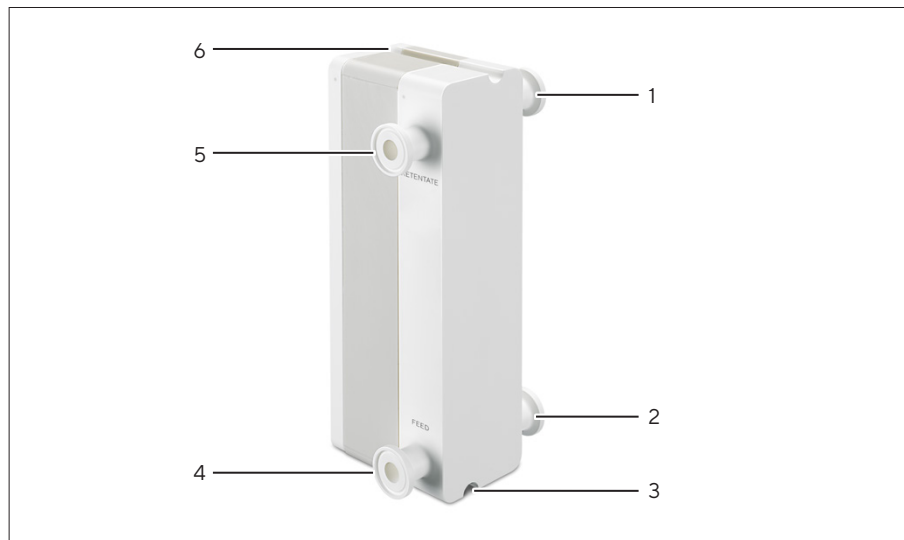


Abb. 3: Sartocube® Slice Self Contained

Pos.	Bezeichnung
1	Permeat Anschluss*
2	Permeat Anschluss*
3	Nut (zur Aufnahme der unteren Führungsstange)
4	Feed Anschluss*
5	Retentat Anschluss*
6	Nut (zur Aufnahme der oberen Führungsstange)

* ½" Tri-Clamp-Anschluss (TC)

Self Contained Stand Alone

Bestell-Nr.	Gewebe	Membran	MWCO	Wirksame Filterfläche
3D51463901EFFSG	E-Screen	PES	10 kDa	0,1 m ²
3D51463921EFFSG	E-Screen	PES	10 kDa	0,2 m ²
3D51463931EFFSG	E-Screen	PES	10 kDa	0,3 m ²
3D51465901EFFSG	E-Screen	PES	30 kDa	0,1 m ²
3D51465921EFFSG	E-Screen	PES	30 kDa	0,2 m ²
3D51465931EFFSG	E-Screen	PES	30 kDa	0,3 m ²

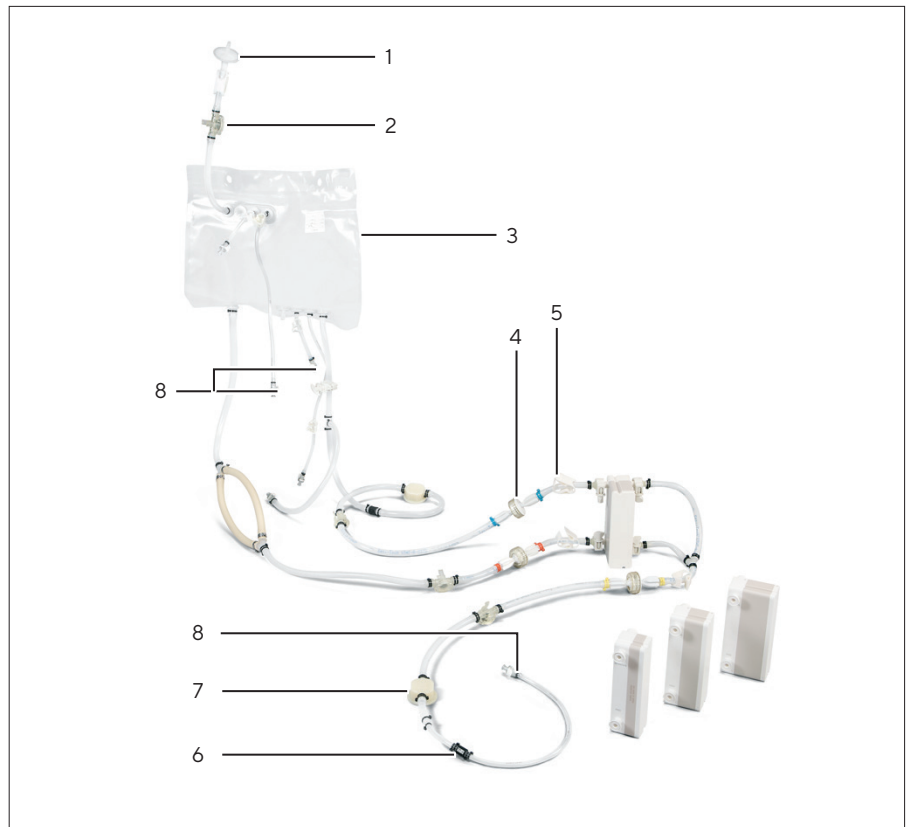


Abb. 4: Bag Loop Assembly

Pos.	Bezeichnung
1	Belüftungsfilter
2	Druckaufnehmer
3	10 L Stedim 40 Beutel
4	Opta® (Entsprechend der Farbcodierung verbinden)
5	Pinch clamp
6	Durchflussmesser
7	Membranventil
8	MPX Schlauchanschluss Female ¼"

Self Contained Bag Loop Assembly

Bestell-Nr.	Gewebe	Membran	MWCO	Wirksame Filterfläche
SFA-SU-1463901	E-Screen	PES	10 kDa	0,1 m ²
SFA-SU-1463921	E-Screen	PES	10 kDa	0,2 m ²
SFA-SU-1463931	E-Screen	PES	10 kDa	0,3 m ²
SFA-SU-1465901	E-Screen	PES	30 kDa	0,1 m ²
SFA-SU-1465921	E-Screen	PES	30 kDa	0,2 m ²
SFA-SU-1465931	E-Screen	PES	30 kDa	0,3 m ²
SFA-SU-1545801	W-Screen	PES	0,1 µm	0,1 m ²
SFA-SU-1545821	W-Screen	PES	0,1 µm	0,2 m ²
SFA-SU-1545831	W-Screen	PES	0,1 µm	0,3 m ²
SFA-SUM1443901	ECO	Hydrosart®	10 kDa	0,14 m ²
SFA-SUM1443921	ECO	Hydrosart®	10 kDa	0,28 m ²
SFA-SUM1443931	ECO	Hydrosart®	10 kDa	0,42 m ²
SFA-SUM1445901	ECO	Hydrosart®	30 kDa	0,14 m ²
SFA-SUM1445921	ECO	Hydrosart®	30 kDa	0,28 m ²
SFA-SUM1445931	ECO	Hydrosart®	30 kDa	0,42 m ²
SFA-SUM1446801	ECO	Hydrosart®	100 kDa	0,14 m ²
SFA-SUM1446821	ECO	Hydrosart®	100 kDa	0,28 m ²
SFA-SUM1446831	ECO	Hydrosart®	100 kDa	0,42 m ²
SFA-SUM1463901	ECO	PES	10 kDa	0,14 m ²
SFA-SUM1463921	ECO	PES	10 kDa	0,28 m ²
SFA-SUM1463931	ECO	PES	10 kDa	0,42 m ²
SFA-SUM1465901	ECO	PES	30 kDa	0,14 m ²
SFA-SUM1465921	ECO	PES	30 kDa	0,28 m ²
SFA-SUM1465931	ECO	PES	30 kDa	0,42 m ²
SFA-SUM1466801	ECO	PES	100 kDa	0,14 m ²
SFA-SUM1466821	ECO	PES	100 kDa	0,28 m ²
SFA-SUM1466831	ECO	PES	100 kDa	0,42 m ²
SFA-SUM1467901	ECO	PES	300 kD	0,14 m ²
SFA-SUM1467921	ECO	PES	300 kDa	0,28 m ²
SFA-SUM1467931	ECO	PES	300 kDa	0,42 m ²

4.2 Sartocube® Slice and Sartocube® Self Contained mit AseptiQuik®

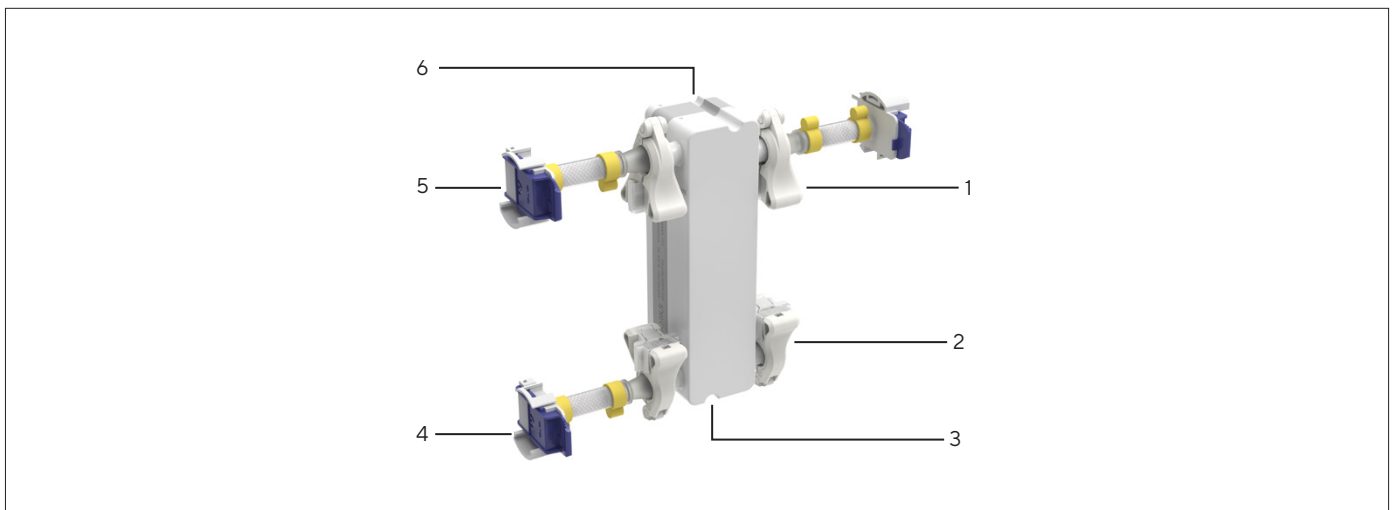


Abb. 5: Sartocube® Slice Self Contained

Pos.	Bezeichnung
1	Permeat Anschluss* mit AseptiQuik® G 3/8" Sterilkonnektor
2	Permeat Anschluss* geschlossen
3	Nut (zur Aufnahme der unteren Führungsstange)
4	Feed Anschluss* mit AseptiQuik® G 3/8" Sterilkonnektor
5	Retentat Anschluss* mit AseptiQuik® G 3/8" Sterilkonnektor
6	Nut (zur Aufnahme der oberen Führungsstange)

* Tri-Clamp-Anschluss (TC)



Abb. 6: Sartocube® Self Contained

Pos.	Bezeichnung
1	Feed mit AseptiQuik® L 1" Sterilkonnektor
2	Retentat mit AseptiQuik® L 1" Sterilkonnektor
3	Permeat Anschluss mit AseptiQuik® G 3/4" Sterilkonnektor
4	Nut (zur Aufnahme der unteren Führungsstange)
5	Nut (zur Aufnahme der oberen Führungsstange)
6	Trageriemens (zur Gewichtsverteilung während des Anhebens und Tragens)

Sartocube® Self Contained

Bestell-Nr.	Gewebe	Membran	Sterilkonnektor	MWCO	Wirksame Filterfläche
SFM-AQ-1443901	ECO	Hydrosart®	AseptiQuik® G 3/8" Feed, Retentate, Permeate	10 kDa	0,14 m ²
SFM-AQ-1443921	ECO	Hydrosart®	AseptiQuik® G 3/8" Feed, Retentate, Permeate	10 kDa	0,28 m ²
SFM-AQ-1443931	ECO	Hydrosart®	AseptiQuik® G 3/8" Feed, Retentate, Permeate	10 kDa	0,42 m ²
SFM-AQ-1443914	ECO	Hydrosart®	AseptiQuik® G 3/4" Feed, Retentate, Permeate	10 kDa	1,4 m ²
SFM-AQ-1443935	ECO	Hydrosart®	AseptiQuik® G 3/4" Feed, Retentate, Permeate	10 kDa	3,5 m ²
SFM-AQ-1443970	ECO	Hydrosart®	AseptiQuik® L 1" Feed, Retentate; AseptiQuik® G 3/4" Permeate	10 kDa	7 m ²
SFM-AQ-14439A4	ECO	Hydrosart®	AseptiQuik® L 1" Feed, Retentate; AseptiQuik® G 3/4" Permeate	10 kDa	14 m ²
SFM-AQ-1445901	ECO	Hydrosart®	AseptiQuik® G 3/8" Feed, Retentate, Permeate	30 kDa	0,14 m ²
SFM-AQ-1445921	ECO	Hydrosart®	AseptiQuik® G 3/8" Feed, Retentate, Permeate	30 kDa	0,28 m ²
SFM-AQ-1445931	ECO	Hydrosart®	AseptiQuik® G 3/8" Feed, Retentate, Permeate	30 kDa	0,42 m ²
SFM-AQ-1445914	ECO	Hydrosart®	AseptiQuik® G 3/4" Feed, Retentate, Permeate	30 kDa	1,4 m ²
SFM-AQ-1445935	ECO	Hydrosart®	AseptiQuik® G 3/4" Feed, Retentate, Permeate	30 kDa	3,5 m ²
SFM-AQ-1445970	ECO	Hydrosart®	AseptiQuik® L 1" Feed, Retentate; AseptiQuik® G 3/4" Permeate	30 kDa	7 m ²
SFM-AQ-14459A4	ECO	Hydrosart®	AseptiQuik® L 1" Feed, Retentate; AseptiQuik® G 3/4" Permeate	30 kDa	14 m ²
SFM-AQ-1446801	ECO	Hydrosart®	AseptiQuik® G 3/8" Feed, Retentate, Permeate	100 kDa	0,14 m ²
SFM-AQ-1446821	ECO	Hydrosart®	AseptiQuik® G 3/8" Feed, Retentate, Permeate	100 kDa	0,28 m ²
SFM-AQ-1446831	ECO	Hydrosart®	AseptiQuik® G 3/8" Feed, Retentate, Permeate	100 kDa	0,42 m ²
SFM-AQ-1446814	ECO	Hydrosart®	AseptiQuik® G 3/4" Feed, Retentate, Permeate	100 kDa	1,4 m ²
SFM-AQ-1446835	ECO	Hydrosart®	AseptiQuik® G 3/4" Feed, Retentate, Permeate	100 kDa	3,5 m ²

Bestell-Nr.	Gewebe	Membran	Sterilkonnektor	MWCO	Wirksame Filterfläche
SFM-AQ-1446870	ECO	Hydrosart®	AseptiQuik® L 1" Feed, Retentate; AseptiQuik® G ¾" Permeate	100 kDa	7 m ²
SFM-AQ-14468A4	ECO	Hydrosart®	AseptiQuik® L 1" Feed, Retentate; AseptiQuik® G ¾" Permeate	100 kDa	14 m ²
SFM-AQ-1447901	ECO	Hydrosart®	AseptiQuik® G ⅜" Feed, Retentate, Permeate	300 kDa	0,14 m ²
SFM-AQ-1447921	ECO	Hydrosart®	AseptiQuik® G ⅜" Feed, Retentate, Permeate	300 kDa	0,28 m ²
SFM-AQ-1447931	ECO	Hydrosart®	AseptiQuik® G ⅜" Feed, Retentate, Permeate	300 kDa	0,42 m ²
SFM-AQ-1447914	ECO	Hydrosart®	AseptiQuik® G ¾" Feed, Retentate, Permeate	300 kDa	1,4 m ²
SFM-AQ-1447935	ECO	Hydrosart®	AseptiQuik® G ¾" Feed, Retentate, Permeate	300 kDa	3,5 m ²
SFM-AQ-1447970	ECO	Hydrosart®	AseptiQuik® L 1" Feed, Retentate; AseptiQuik® G ¾" Permeate	300 kDa	7 m ²
SFM-AQ-14479A4	ECO	Hydrosart®	AseptiQuik® L 1" Feed, Retentate; AseptiQuik® G ¾" Permeate	300 kDa	14 m ²
SFM-AQ-1463901	ECO	PES	AseptiQuik® G ⅜" Feed, Retentate, Permeate	10 kDa	0,14 m ²
SFM-AQ-1463921	ECO	PES	AseptiQuik® G ⅜" Feed, Retentate, Permeate	10 kDa	0,28m ²
SFM-AQ-1463931	ECO	PES	AseptiQuik® G ⅜" Feed, Retentate, Permeate	10 kDa	0,42 m ²
SFM-AQ-1463914	ECO	PES	AseptiQuik® G ¾" Feed, Retentate, Permeate	10 kDa	1,4 m ²
SFM-AQ-1463935	ECO	PES	AseptiQuik® G ¾" Feed, Retentate, Permeate	10 kDa	3,5 m ²
SFM-AQ-1465901	ECO	PES	AseptiQuik® G ⅜" Feed, Retentate, Permeate	30 kDa	0,14 m ²
SFM-AQ-1465921	ECO	PES	AseptiQuik® G ⅜" Feed, Retentate, Permeate	30 kDa	0,28 m ²
SFM-AQ-1465931	ECO	PES	AseptiQuik® G ⅜" Feed, Retentate, Permeate	30 kDa	0,42 m ²
SFM-AQ-1465914	ECO	PES	AseptiQuik® G ¾" Feed, Retentate, Permeate	30 kDa	1,4 m ²
SFM-AQ-1465935	ECO	PES	AseptiQuik® G ¾" Feed, Retentate, Permeate	30 kDa	3,5 m ²

Bestell-Nr.	Gewebe	Membran	Sterilkonnektor	MWCO	Wirksame Filterfläche
SFM-AQ-1466801	ECO	PES	AseptiQuik® G 3/8" Feed, Retentate, Permeate	100 kDa	0,14 m ²
SFM-AQ-1466821	ECO	PES	AseptiQuik® G 3/8" Feed, Retentate, Permeate	100 kDa	0,28 m ²
SFM-AQ-1466831	ECO	PES	AseptiQuik® G 3/8" Feed, Retentate, Permeate	100 kDa	0,42 m ²
SFM-AQ-1466814	ECO	PES	AseptiQuik® G 3/4" Feed, Retentate, Permeate	100 kDa	1,4 m ²
SFM-AQ-1466835	ECO	PES	AseptiQuik® G 3/4" Feed, Retentate, Permeate	100 kDa	3,5 m ²
SFM-AQ-1467901	ECO	PES	AseptiQuik® G 3/8" Feed, Retentate, Permeate	300 kDa	0,14 m ²
SFM-AQ-1467921	ECO	PES	AseptiQuik® G 3/8" Feed, Retentate, Permeate	300 kDa	0,28 m ²
SFM-AQ-1467931	ECO	PES	AseptiQuik® G 3/8" Feed, Retentate, Permeate	300 kDa	0,42 m ²
SFM-AQ-1467914	ECO	PES	AseptiQuik® G 3/4" Feed, Retentate, Permeate	300 kDa	1,4 m ²
SFM-AQ-1467935	ECO	PES	AseptiQuik® G 3/4" Feed, Retentate, Permeate	300 kDa	3,5 m ²

AseptiQuik® ist eingetragene Marke der Colder Products Company.

4.3 Sartocube® Self Contained Assemblies

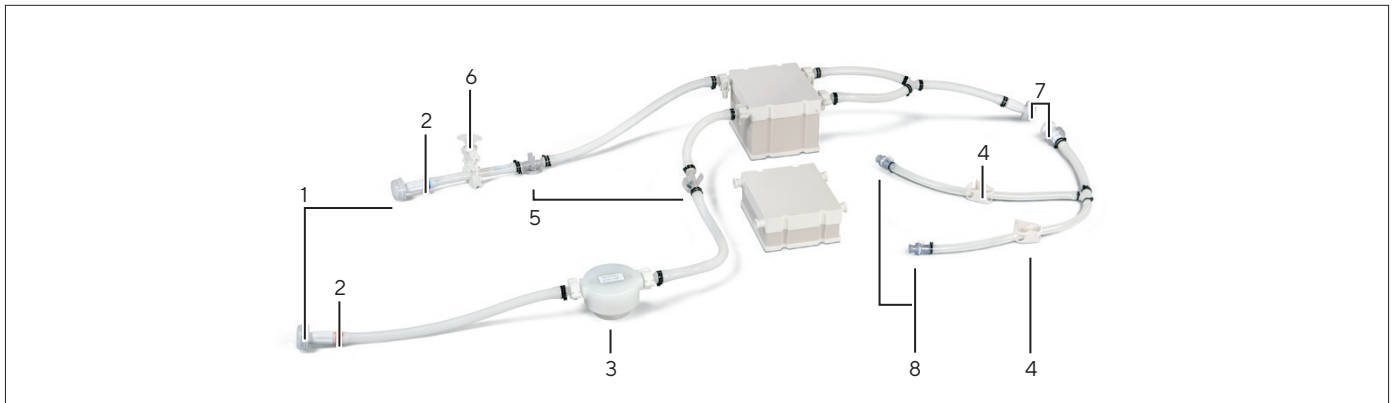


Abb.7: Filter Loop Assembly

Pos.	Bezeichnung
1	Opta® Male ½" Anschluss
2	Farbkodierte Schlauchschelle
3	Single Use Pumpenkopf
4	Schlauchklemme
5	Single use Druckaufnehmer
6	TMP Kontrollventil
7	Opta® (Entsprechend der Farbcodierung verbinden)
8	MPX Schlauchanschluss Male ½"

Filter Loop Assemblies für Flexact®

Bestell-Nr.	Gewebe	Membran	MWCO	Wirksame Filterfläche
4XC48	E-Screen	Hydrosart®	5 kDa	1,2 m ²
4XC31	ECO	Hydrosart®	10 kDa	1,4 m ²
4XC27	ECO	Hydrosart®	10 kDa	3,5 m ²
4XC40	ECO	PES	10 kDa	1,4 m ²
4XC41	ECO	PES	10 kDa	3,5 m ²
4XC32	ECO	Hydrosart®	30 kDa	1,4 m ²
4XC28	ECO	Hydrosart®	30 kDa	3,5 m ²
4XC34	ECO	PES	30 kDa	1,4 m ²
4XC37	ECO	PES	30 kDa	3,5 m ²
4XC29	ECO	Hydrosart®	100 kDa	1,4 m ²
4XC33	ECO	Hydrosart®	100 kDa	3,5 m ²
4XC35	ECO	PES	100 kDa	1,4 m ²
4XC38	ECO	PES	100 kDa	3,5 m ²
4XC36	ECO	PES	300 kDa	1,4 m ²
4XC39	ECO	PES	300 kDa	3,5 m ²



Abb. 8: Beispiel Custom Filter Assembly

Pos.	Bezeichnung
1	Farbkodierter Kabelbinder
2	Opta® Male ½" HB
3	Opta® Female ½" HB



Abb. 9: Beispiel Custom Filter Assembly

Pos.	Bezeichnung
1	Oetiker® Schellen
2	Opta® Male ½" HB
3	Opta® Female ½" HB

Custom Filter Assembly

Bestell-Nr.	Gewebe	Membran	MWCO	Wirksame Filterfläche
SFM-OP-1445901	ECO	Hydrosart®	30 kDa	0,14 m ²
SFM-OP-1445921	ECO	Hydrosart®	30 kDa	0,28 m ²
SFM-OP-1445931	ECO	Hydrosart®	30 kDa	0,42 m ²
SFB-LY-1466814 ¹	E-Screen	PES	100 kDa	1,4 m ²
SFM-OP-1445907 ²	ECO	Hydrosart®	30 kDa	0,7 m ²
SFM-OP-1445914 ²	ECO	Hydrosart®	30 kDa	1,4 m ²
SFM-OP-1445935 ²	ECO	Hydrosart®	30 kDa	3,5 m ²

¹Kundenspezifischer Artikel

²Nur mit Oetiker® Schelle verfügbar.

Oetiker® ist eingetragene Marke der Oetiker® Gruppe.

Werkseitige Vorspülung

Die Cassetten werden werkseitig mit Reinstwasser (gemäß USP-Norm) vorgespült und anschließend durch Gamma-Bestrahlung sterilisiert. Sie enthalten daher keine Konservierungsstoffe.

Weitere Informationen zum Produkt können dem „Validation Guide“ entnommen werden. Der Validation Guide ist auf Nachfrage bei Ihrem zuständigen Anwendungsspezialisten erhältlich.

5 Installation

5.1 Auspacken

Das Produkt ist abhängig von der Konfiguration unterschiedlich verpackt.

- ▶ Öffnen Sie den Karton.
- ▶ Achten Sie darauf, dass das Verpackungsmaterial unbeschädigt ist.

Auf dem Umkarton und auf dem ersten Polypropylenbeutel befindet sich das Etikett mit einem Gamma-Bestrahlungsindikator. Dieser Indikator ist gelb vor der Bestrahlung und wird rot, nach der Bestrahlung.

- ▶ Vergewissern Sie sich, dass der Umkarton und der erste Beutel ein rotes Bestrahlungsetikett aufweisen.
- ▶ Notieren Sie die Chargennummer und die Artikelnummer vom Etikett.
- ▶ Beachten Sie die Lagerungsbedingungen.
Die Temperatur sollte zwischen +2 °C bis +35 °C betragen.
- ▶ Es sind Flüssigkeitsreste in der Cassette vorhanden. Die Membran benötigt eine Restfeuchte, um die Filtrationseigenschaften zu bewahren. Zur Vorspülung der Cassette siehe (Kapitel „5.3.1 Spülvorgang“, Seite 46).
- ▶ Während der Bestrahlung können leichte Verfärbungen in der Filtrationseinheit entstehen. Diese sichtbaren Verfärbungen haben keinen Einfluss auf die Funktionstüchtigkeit und werden beim befolgen des Spülvorgangs unterhalb der Nachweisgrenze ausgespült. Die Verfärbungen sind nicht Toxisch.

5.2 Hinweise zur Anlagenauslegung

Bei der Anlagenauslegung und beim Betrieb ist folgendes zu beachten:

- Abrupte Druckwechsel (ca. >1 bar sec.) müssen vermieden werden (Pumpenanlauf, Ventil-Schaltvorgänge),
- Vibrationen sollten auf das technisch machbare begrenzt werden.
- Hydraulische Einspannvorrichtungen sind möglichst so zu betreiben, dass sich die effektive Einspannkraft während des Betriebes nicht ändert.
- Es muss sichergestellt werden, dass beim Betrieb und bei der Lagerung keine Kristallisationen auf Grund von Temperatur- oder Konzentrationsänderungen erfolgen können.
- Stellen Sie sicher, dass die verwendeten Schlauchleitungen dem vorgesehenen Betriebsdruck standhalten.

ACHTUNG

Der Überdruck auf der Filtratseite (Pback) darf 0,5 bar für Hydrosart® Membran **nicht** überschreiten.

WARNUNG

Die maximalen Drücke dürfen **nicht** überschritten werden (siehe Kapitel „7.1 Technische Spezifikationen“, Seite 49).

Der Überdruck auf der Filtratseite ist definiert als:

Überdruck auf der Filtratseite (P_{back}) liegt vor, wenn der Permeatdruck höher als der Retentatdruck ist.

$$P_{perm} > P_{ret}$$

$$P_{back} = P_{perm} - P_{ret}$$

Dies sollte besonders berücksichtigt werden, wenn hydrostatische Bedingungen (z. B. Tankhöhe und Rohrquerschnitte) den Rückfluss beeinflussen.

- Stellen Sie sicher, dass diese Werte nicht überschritten werden.

Dies muss unterschieden werden im Hinblick auf den Transmembrandruck (TMP)

$$TMP = [(P_{feed} + P_{ret}) : 2] - P_{perm}$$

und dem Differenzdruck

$$P_{diff} = P_{feed} - P_{ret}$$

Das sollten Sie beachten:

Achten Sie beim Filtrieren auf TFF-Bedingungen. Beim Filtrieren unter statischen Bedingungen (Dead-end-Filtration) lässt die Filtrationsleistung der Cassetten stark nach (siehe Kapitel „6 Filtrieren“, Seite 48).

Das gehört zu einem vollständigen TFF-System

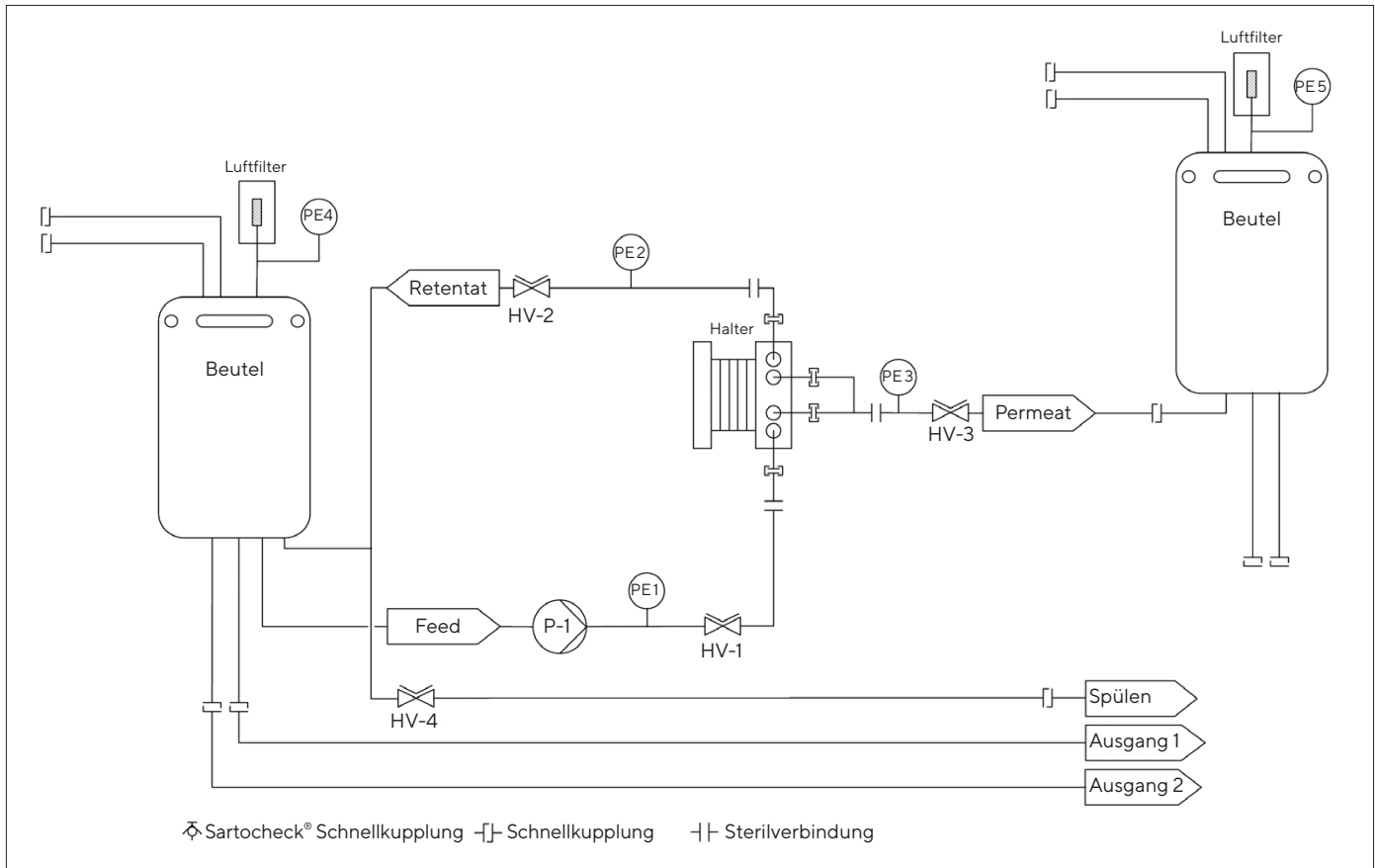


Abb.10: Skizze: TFF-System

5.3 Cassette im Filterhalter installieren

⚠️ WARNUNG

Gefahr von Personen- und Sachschäden durch falschen Einbau der Cassetten!

Achten Sie beim Einbau der Cassetten auf die richtige Orientierung der Anschlüsse und Nuten (siehe Kapitel „4 Bestandteile der Filtervorrichtung“, Seite 34).

⚠️ WARNUNG

Wenn Sie Filterhalter (Einspannvorrichtungen) anderer Hersteller verwenden, können andere Einspannkräfte erforderlich sein!

Die Einspannkraft kann mit einer Kraftmessdose kontrolliert werden. Unsere Anwendungsspezialisten helfen Ihnen gerne weiter, um eine Beschädigung der Membrane zu vermeiden.

ACHTUNG

Beachten Sie die Hinweise für den Sartocon® Slice Filterhalter mit Trapezgewinde, PEEK-Unterlegscheiben und Bronze-Spannmuttern:

- Tauschen Sie die Spannmuttern und das Trapezgewinde aus, wenn diese Abrieb aufweisen. Beachten Sie dazu die Bedienungsanleitung des Filterhalters.
- Die PEEK-Unterlegscheiben müssen vor jedem Gebrauch mit Wasser gereinigt werden, um die Funktionalität des Filterhalters vollständig zu erhalten. Nach jedem zehnten Gebrauch sollten die Unterlegscheiben durch neue ersetzt werden.
- Halten Sie die Gewinde der Zugstangen und Spannmuttern sauber und vor allem fettfrei. Eingefettete oder verschmutzte Gewinde führen zu falschen Anzugskräften, die die Cassetten zerstören können.

Gehen Sie wie folgt vor, um die Cassette im Filterhalter einzuspannen:

- ▶ Nehmen Sie die Cassette aus der Verpackung.
- ▶ Kontrollieren Sie nochmals den Cassettentyp.
- Wenn die Sartocon® Slice oder Sartocube® Self Contained TFF Cassette in einen Halter eines anderen Herstellers installiert wird, überprüfen Sie bitte die erforderliche Einspannkraft des Halters mit einem geeigneten Messgerät. Um eine Beschädigung der Cassette zu vermeiden, wenden Sie sich bitte an unseren Anwendungsspezialisten.
- Sartocube® Self Contained sollte bevorzugt in hydraulischen Haltern eingesetzt werden. Bei manuellen Haltern muss in regelmäßigen Abständen die Einspannkraft mit einer Kraftmessdose kontrolliert werden.

Einsatz der Cassette im Filterhalter:

- ▶ Setzen Sie die Cassette entsprechend des gewählten Filterhalters ein. Beachten Sie dazu die Bedienungsanleitung des Filterhalters.
- Achten Sie beim Einbau der Cassette auf die korrekte Orientierung der Nuten. Die Nuten der Cassette müssen so ausgerichtet werden, dass sie die obere und untere Zugstange des Filterhalters aufnehmen.

⚠ VORSICHT

Vergessen Sie bei hydraulischen Einspannvorrichtungen die oberen Verriegelungsstangen | Zugstangen nicht.

- ▶ Verspannen Sie die Cassette im Filterhalter mit dem empfohlenen Drehmomentschlüssel oder mit dem entsprechenden hydraulischen Druck. Beachten Sie dazu die Hinweise in der Bedienungsanleitung des Filterhalters.
- ▶ Halten Sie die erforderlichen Einspannkräfte ein (siehe Kapitel „8.1 Allgemeine Hinweise“, Seite 52).
- ▶ Anschluss der Cassette mit Steril-Anschlüssen:
 - Hinweise zum Einlegen der Schläuche, Sensoren und des Pumpenkopfes finden Sie in der Bedienungsanleitung des TFF Systems.

5.3.1 Spülvorgang**HINWEIS**

Vor der Benutzung ist eine Spülung mit VE Wasser, Puffer oder physiologischer Kochsalzlösung notwendig um den USP | EP Richtlinien zu entsprechen.

Filterfläche [m ²]	Spülvolumen [L]
0,1 - 0,42	10
0,7 - 3,5	50
7	100
14	200

- ▶ Stellen Sie einen Eingangsdruck (P_{feed}) von 1 bar ein.
- ▶ Drosseln Sie den Retentatausgang soweit, dass sich ein Verhältnis zwischen Permeatfluss zu Retentatfluss von 1:1 ergibt:
- ▶ Verwerfen Sie das Permeat und Retentat.
- ▶ Nach ca. 33 % der Spülmenge unterbrechen Sie die Spülung für 15 min. Spülen Sie anschließend weiter.

5.3.2 Integritätstest

Jede Cassette wird bei Sartorius umfassend getestet. Es wird daher empfohlen, vor Ort keinen weiteren Integritätstest durchzuführen.

Cassette Konfiguration	Integritätstestlimit bei 1 bar Testdruck
Hydrosart® Sartocube® Slice Self Contained mit 0,1 bis 0,42 m ² Filterfläche	≤ 5 mL/min
PES Sartocube® Slice Self Contained mit 0,1 bis 0,42 m ² Filterfläche	≤ 15 mL/min
Hydrosart® und PES Sartocube® Self Contained mit 0,7 bis 3,5 m ² Filterfläche	≤ 50 mL/min
Hydrosart® und PES Sartocube® Self Contained mit 7 m ² Filterfläche	≤ 75 mL/min
Hydrosart® und PES Sartocube® Self Contained mit 14 m ² Filterfläche	≤ 100 mL/min

5.4 Hinweise zur Reklamation

Wenn Sie Cassetten zur Begutachtung zu Sartorius Stedim Biotech schicken möchten, stellen Sie bitte Folgendes sicher:

- dass der Kundendienst kontaktiert wird und das Formular für den Rückversand angefordert wird.
- dass die Cassetten vollständig gereinigt sind.
- dass die Cassetten desinfiziert wurden.
- dass mit den Cassetten folgende Informationen zur Verfügung gestellt werden:
 - Welches Medium wurde filtriert.
 - Beobachteter Fehler.
 - Verwendete Betriebsparameter (Druckeinstellungen, Betriebszeit, Prozesszyklen, Reinigungsbedingungen, Betriebstemperatur).
 - Reinigungsart.
- Angabe über das verwendete Desinfektionsmittel.

6 Filterieren

Der Anfang einer Tangential-Flow-Filtration ist ein kritischer Augenblick. Das zu filterierende Medium gelangt auf eine saubere Membranoberfläche. Es hat sich noch keine Deckschicht (Sekundärschicht) gebildet, und die Geschwindigkeit, mit der das Retentat an der Membran vorbeiströmt, ist noch nicht konstant und ausreichend für TFF-Bedingungen.

⚠ VORSICHT

Gefahr von Verletzungen und Sachschäden durch Überdruck!

Der Druck am Retentateingang P_{feed} darf 3 bar nicht überschreiten!
Alle SFM-OP-144... Self Contained-Kassetten bis zu 1,4 m² sind qualifiziert um einem Druck von 4 bar standhalten.

- Die Cassetten können bei höheren Drücken beschädigt werden.

ACHTUNG

Der Überdruck auf der Permeatseite darf 0,5 bar für Hydrosart® Membran nicht überschreiten!

Gehen Sie zum Filterieren wie folgt vor:

- ▶ Stellen Sie sicher, dass der Permeatraum mit einer der folgenden Flüssigkeiten gefüllt ist:
 - dem letzten Spülwasser
 - isotonischer Kochsalzlösung

Dies können Sie durch „Spülvorgang“ mit einer der benannten Flüssigkeiten erreichen (siehe Kapitel „5.3.1 Spülvorgang“, Seite 46).

- ▶ Wenn Sie die Filtration starten, drosseln Sie die Permeatausgänge.
- ▶ Leiten Sie die Prozessflüssigkeit in das System. Erzeugen Sie die gewünschte Überströmrate (TFF).
- ▶ Öffnen Sie das Permeatventil bis der gewünschte TMP erreicht ist.
- ▶ Vergewissern Sie sich, dass die für den Prozess gewünschte Überströmrate beibehalten wird.
 - Achten Sie auf eine ausreichende Strömungsgeschwindigkeit.
 - Achten Sie darauf, dass Sie eine hohe Überströmung bei geringem Transmembrandruck (TMP) einstellen.
- ▶ Richtwerte für Ihre Lösung können Sie bei unseren Anwendungsspezialisten erfragen.

Während der Filtration sollte die Strömungsgeschwindigkeit konstant gehalten werden. Nimmt im Laufe der Filtration die Viskosität der Flüssigkeit zu, muss P_{feed} erhöht werden. Sie erhalten dann eine gleich bleibende Reinigungswirkung für die Membranoberfläche.

7 Technische Daten

7.1 Technische Spezifikationen

7.1.1 Sartocoon® Slice Self Contained

Membran	Bestell-Nr.	pH Stabilität	Maximaler Eingangsdruck bei 20 °C [bar]	Dauerbetriebs-temperaturbereich [°C]
Hydrosart®	SFA-SUM144...	2-10	3	2-40
Hydrosart®	SFA-SU-144...	2-10	3	2-40
Hydrosart®	SFM-AQ-144...	2-10	4	2-40
Hydrosart®	SFM-OP-144...	2-10	3	2-40
Hydrosart®	3D514459...	2-10	3	2-40
PES	SFA-SUM146...	1-10	3	2-40
PES	SFA-SU-146...	1-10	3	2-40
PES	SFA-SU-15458..	1-10	3	2-40
PES	SFM-AQ-146...	2-10	3	2-40

7.1.2 Sartocube® Self Contained

Membran	Bestell-Nr.	pH Stabilität	Maximaler Eingangsdruck bei 20°C [bar]	Dauerbetriebs-temperaturbereich [°C]
Hydrosart®	4XC27 4XC28, 4XC29, 4XC31, 4XC32, 4XC33, 4XC48	2-10	3	2-40
PES	4XC34, 4XC35, 4XC36, 4XC37, 4XC38, 4XC39, 4XC40, 4XC41	1-10	3	2-40
PES	SFB-LY-1466814...	1-10	3	2-40
Hydrosart®	SFM-OP-1445914	2-10	3	2-40
Hydrosart®	SFM-OP-1445935	2-10	3	2-40
Hydrosart®	SFM-OP-1445907	2-10	3	2-40
Hydrosart®	SFM-AQ-144... 14	2-14	4	2-40
Hydrosart®	SFM-AQ-144... 35	2-14	3	2-40
Hydrosart®	SFM-AQ-144... 07	2-14	3	2-40
Hydrosart®	SFM-AQ-144... A4	2-14	3	2-40
PES	SFM-AQ-146...	1-14	3	2-40

7.2 Einspannkräfte

7.2.1 Sartococon® Slice Self Contained

Membran	Sartococon® Slice Filterhalter		Sartococon® Slice Filterhalter mit Trapezgewinde, PEEK-Unterlegscheiben und Bronze-Spannmuttern
	Erforderliche Einspannkraft	Erforderliches Drehmoment	Erforderliches Drehmoment
Hydrosart®	10 – 14 kN	20 Nm	17 Nm
PES	14 – 17 kN	25 Nm	17 Nm

Sartococon® Slice Self Contained Halter mit Hydraulikkolben (12,5 cm²)

	Erforderliche Einspannkraft, Betriebsbedingungen	Hydraulischer Druck, Betriebsbedingungen
Hydrosart®	10 – 14 kN	80 – 115 bar 1200 – 1650 psi
PES	14 – 17 kN	115 – 140 bar 1650 – 2000 psi

7.2.2 Sartocube® Self Contained

Sartocube® Self Contained Halter, hydraulisch

	Erforderliche Einspannkraft	Hydraulik Druck
Hydrosart®	18 – 22 kN	150 – 170 bar 2175 – 2465 psi
PES	22 – 25 kN	170 – 200 bar 2465 – 2900 psi

Sartocube® Self Contained Halter, manuell mit Axialkugellager

	Erforderliche Einspannkraft Betriebsparameter	Einspannkraft mit Drehmomentschlüssel Betriebsparameter
Hydrosart®	18 – 22 kN	60 Nm
PES	22 – 25 kN	80 Nm

* Die PEEK Unterlegscheiben sollten nach jedem zehnten Gebrauch ausgewechselt werden. Sollten die Bronzemutter und das Trapezgewinde Abrieb zeigen sollten diese ausgetauscht werden. Die Zugstange, Muttern und PEEK Unterlegscheiben sollten sauber gehalten werden.

7.3 Komponentenübersicht

Membran	MWCO	Bestell-Nr.	Wirksame Filterfläche [m ²]	Rahmen	Gewebe	Anschlussplatten	Dichtungsmaterial
Hydrosart®	10 kDa, 30 kDa, 100 kDa	SFA-SUM144...	0,14; 0,28; 0,42	PP	PP	Stabilisiertes Polypropylen	Graues Silikon
PES	10 kDa, 30 kDa, 100 kDa 300 kDa	SFA-SUM146...	0,14; 0,28; 0,42	PP	PP	Stabilisiertes Polypropylen	Graues Silikon
PES	10 kDa, 30 kDa	SFA-SU-146...	0,1; 0,2; 0,3	PVDF	PP	Stabilisiertes Polypropylen	Graues Silikon
PES	0,1 µm	SFA-SU-15448	0,1; 0,2; 0,3	PVDF	PP	Stabilisiertes Polypropylen	Graues Silikon
PES	10 kDa, 30 kDa	3D5146...	0,1; 0,2; 0,3	PVDF	PP	Stabilisiertes Polypropylen	Graues Silikon
Hydrosart®	10 kDa, 30 kDa	3D5144....	0,14; 0,28; 0,42	PP	PP	Stabilisiertes Polypropylen	Graues Silikon
Hydrosart®	30 kDa	SFM-OP-144...	0,14; 0,28; 0,42; 0,7; 1,4; 3,5	PP	PP	Stabilisiertes Polypropylen	Graues Silikon
Hydrosart®	10 kDa, 30 kDa, 100 kDa, 300kDa	SFM-AQ-144...	0,14; 0,28; 0,42; 1,4; 3,5; 7; 14	PP	PP	Stabilisiertes Polypropylen	Graues Silikon
PES	10 kDa, 30 kDa, 100 kDa, 300 kDa	SFM-AQ-146...	0,14; 0,28; 0,42; 1,4; 3,5	PP	PP	Stabilisiertes Polypropylen	Graues Silikon
Hydrosart®	5 kDa	4XC48	1,2	PVDF	PP	Stabilisiertes Polypropylen	Graues Silikon
Hydrosart®	10 kDa	4XC27; 4XC31	1,4; 3,5	PP	PP	Stabilisiertes Polypropylen	Graues Silikon
Hydrosart®	30 kDa	4XC28; 4XC32	1,4; 3,5	PP	PP	Stabilisiertes Polypropylen	Graues Silikon
Hydrosart®	100 kDa	4XC29; 4XC33	1,4; 3,5	PP	PP	Stabilisiertes Polypropylen	Graues Silikon
PES	10 kDa	4XC40; 4XC41	1,4; 3,5	PP	PP	Stabilisiertes Polypropylen	Graues Silikon
PES	30 kDa	4XC34; 4XC37	1,4; 3,5	PP	PP	Stabilisiertes Polypropylen	Graues Silikon
PES	100 kDa	4XC35; 4XC38	1,4; 3,5	PP	PP	Stabilisiertes Polypropylen	Graues Silikon
PES	300 kDa	4XC36; 4XC39	1,4; 3,5	PP	PP	Stabilisiertes Polypropylen	Graues Silikon
PES	100 kDa	SFB-LY-146..	1,4	PVDF	PP	Stabilisiertes Polypropylen	Graues Silikon

8 Entsorgung

8.1 Allgemeine Hinweise

Wird die Verpackung nicht mehr benötigt, ist diese der örtlichen Müllentsorgung zuzuführen. Die Verpackung besteht aus umweltfreundlichen Materialien, die als Sekundärrohstoffe dienen können.

8.2 Gefahrstoffe

Bei ungefährlichen Verunreinigungen kann der Abfallschlüssel EAK 150203 (Europäischer Abfallkatalog) für Aufsaug- und Filtermaterialien, Wischtücher und Schutzkleidung verwendet werden.

Wenn die Filter mit gefährlichen Stoffen kontaminiert sind, sollte EAK 150202* für Aufsaug- und Filtermaterialien, die durch gefährliche Stoffe verunreinigt sind, verwendet werden.

Bei Unklarheiten wenden Sie sich an Ihre örtliche Abfallbehörde.

* Gefährliche Abfälle, die im Sinne des Kreislaufwirtschafts- und Abfallgesetzes besonders überwachungsbedürftig sind.

Sartorius Stedim Biotech GmbH
August-Spindler-Strasse 11
37079 Goettingen, Germany

Phone: +49 551 308 0
www.sartorius.com

The information and figures contained in these instructions correspond to the version date specified below.

Sartorius reserves the right to make changes to the technology, features, specifications and design of the equipment without notice.

Masculine or feminine forms are used to facilitate legibility in these instructions and always simultaneously denote all genders.

Copyright notice:

These instructions, including all components, are protected by copyright.

Any use beyond the limits of the copyright law is not permitted without our approval.

This applies in particular to reprinting, translation and editing irrespective of the type of media used.

Last updated:

08 | 2024

© 2022
Sartorius Stedim Biotech GmbH
August-Spindler-Strasse 11
37079 Goettingen, Germany

ML | DIR: 2644901-000-04