

The Analytical

OEM weigh cells

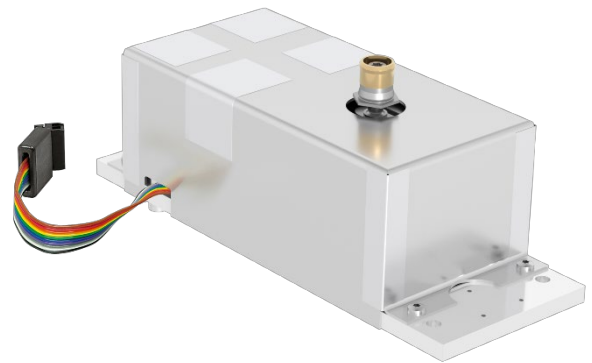
WZB254-L

WZB...	254-L
Capacity	250 g
Readability	0,1 mg

The Sartorius Basic range provides all the essential weighing technology components for you to integrate into your system. The range offers benefits such as easy adaptation with a compact design and an optimal price/performance ratio. Users should ensure that the weighing cell is properly protected from environmental influences when integrating the system.

Highlighted performance features:

- The load cells consist of two parts: The electromagnetic force compensation weighing system and an electronics module.



- The load receptor is equipped with over- and underload protection
- Below-balance weighing is possible
- Electronics module with a front plate for all connections
- All connections are bolt connections
- LEDs for power and data transfer
- Fast warm-up time as the electronics is separated from the weighing technology
- Easy to adapt to existing installation options
- RS232 / USB-C interface for configuration and data transfer
- Additional power supply via the RS232 interface
- Configuration software for handling weight data and the menu settings
- Display unit with operator keypad (optional)

Technical Data



Electronic Module



YRD01 Display with control panel (optional)

Model	WZB254-L
Capacity	250 g
Readability	0,1 mg
Preload without weighing range reduction ¹⁾	0 - 10 g
Repeatability (standard deviation) ²⁾	≤± 0,1 mg
Linearity	≤± 0,2 mg
Response time ²⁾³⁾	≤ 0,6 s
Operating temperature range	+10 +30 °C
Allowable temperature range	+5 +40 °C
Weigh cell dimension	181 × 67 × 73 mm (base × height)
Electronic PCB dimension	105 × 92 × 54 mm (base × height)
Cable length weigh cell to electronics	Ribbon cable 0.5 m (maximum length 3 m, could be extend at side)
Load receptor adjustable + overload protection	Ø 12 mm
Under floor load receptor	M3 thread
Power supply	YEPS01-15V0H 100 - 240 VAC, 50 - 60 Hz 15V DC
Alternative Power supply	12 ... 26, optimal 15 V (+15 % -10 %); 0,5 V _{PP} (Peak to Peak)
Power consumption	2 W (typical)
Interface	RS232/USB-C 7-/8-bit; -even, -mark, -odd, -space; transmission speed 600 - 115200 Baud, 1 or 2 Stop bits, Software Hardware handshake; Power supply also possible via RS232 connection / Pin 1 / VDC IN 12 - 26V

Options | Accessories

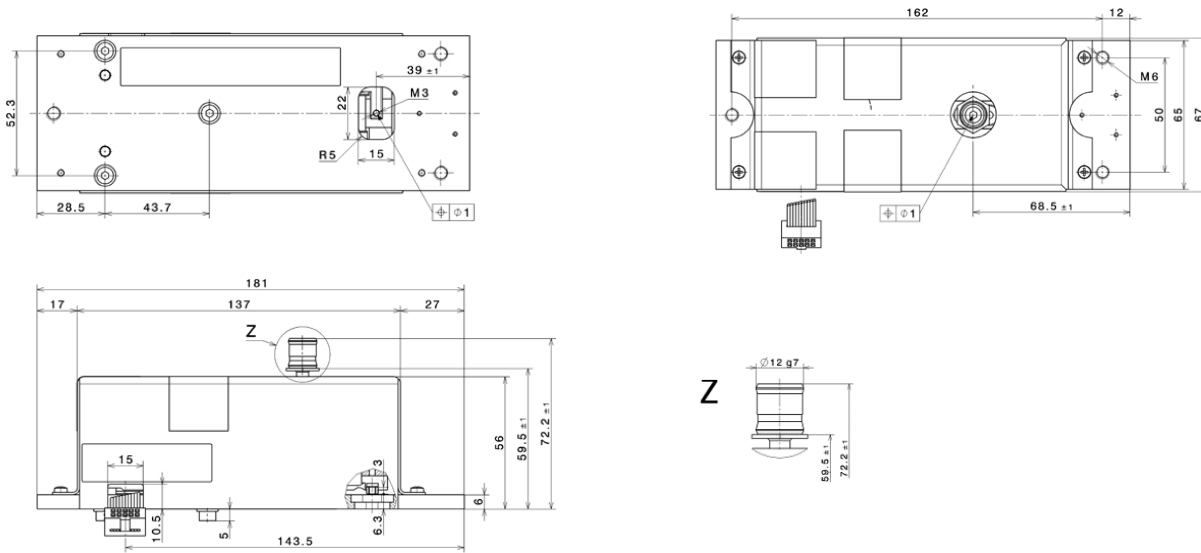
Windows configuration software for test and adjustment	Sartorius CAS Suite
Display unit with operator keypad	YRD01
Connection cable	YCC-D09M-USB-A Data cable (USB-A) > WZB... (RS232 / 9-pin / male) / 1,5m YCC-USB-C-A Data cable USB-C > USB-A / 1.5 m YCC-D09MF Data cable RS232 / 9 pin./ male / 9 pin. / female / 1,5m

1) the preload can be configured by using the Sartorius CAS Suite software, greater preloads are possible, but reduce the weighing capacity.

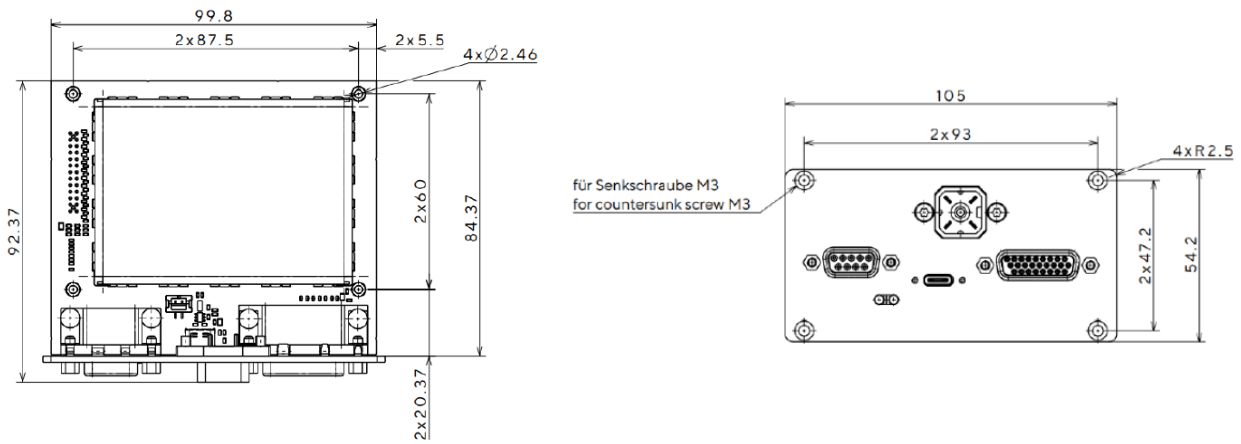
2) depending on measurement equipment set-up and conditions

3) measuring time is the time in which the measured value is in the given range around the static end value; test weight is approx. 25% of the weighing range.

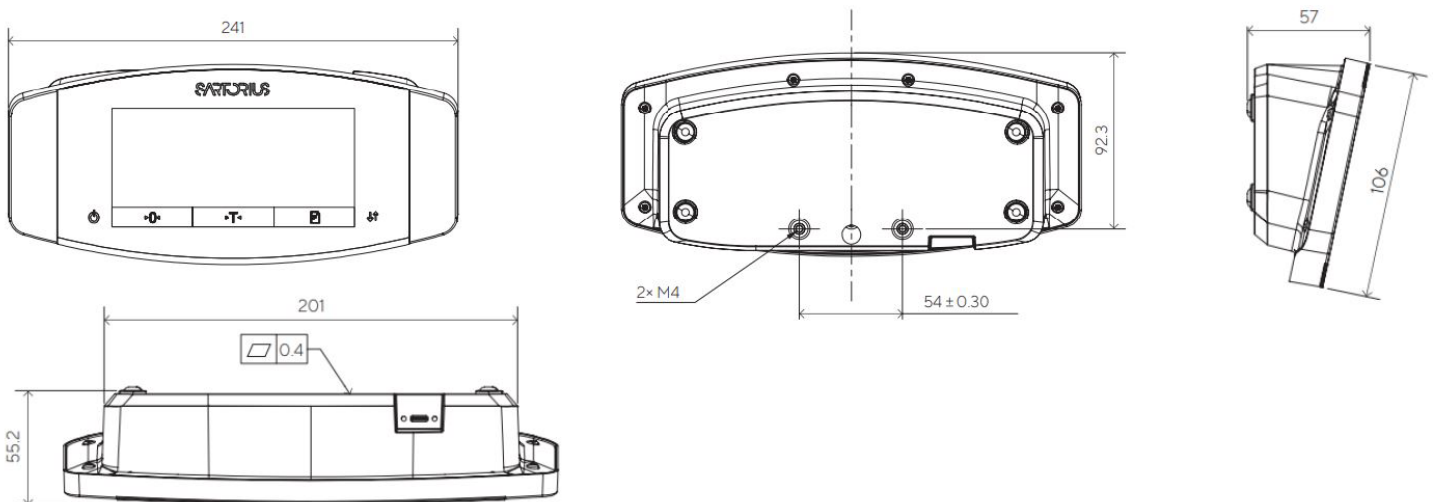
Weigh cell



Electronic module



Optional YRD01 Display and Control Unit



Dimensions in mm

Germany

Sartorius Lab Instruments GmbH & Co. KG
Otto-Brenner-Straße 20
37079 Göttingen
Phone +49 551 308 0

France & Suisse Romande

Phone +33 1 70 62 50 00

USA

Toll-free +1 800 635 2906

Finland & Baltics

Phone +358 9 755 951

China

Phone +86 21 6878 2300

Italy

Phone +39 0362 5557 11

Japan


Phone +81 3 6478 5200

U.K.

Phone +44 1372 737159

South Korea

Phone +82 31 622 5700

 For further contacts, visit
www.sartorius.com