

The Analytical

OEM weigh cells

WZB254-N



WZB...	254-N
Capacity	250 g
Readability	0,1 mg

Analytical weigh cell focuses on weighing resolution of 0.1 mg and capacity up to 250 g. The fully automatic production of the weighing system from an aluminum block significantly reduces possible assembly errors. In addition, the entire weighing system is protected from external influences by an IP44 stainless steel housing.

Highlighted performance features:

- The load cells consist of two parts:
The electromagnetic force compensation weighing system and an electronics module.
- The load receptor is equipped with over- and underload protection
- Below-balance weighing is possible
- Electronics module with a front plate for all connections
- All connections are bolt connections
- LEDs for power and data transfer
- Fast warm-up time as the electronics is separated from the weighing technology
- Easy to adapt to existing installation options
- RS232 / USB-C interface for configuration and data transfer
- Additional power supply via the RS232 interface
- Configuration software for handling weight data and the menu settings
- Display unit with operator keypad (optional)

Technical Data



Electronic Module



YRD01 Display with control panel (optional)

Model	WZB254-N
Capacity	250 g
Readability	0,1 mg
Preload without weighing range reduction ¹⁾	0 - 50 g
Repeatability (standard deviation) ²⁾	≤± 0,1 mg
Linearity	≤± 0,2 mg
Response time ²⁾³⁾	≤ 0,6 s
Operating temperature range	+10 +30 °C
Allowable temperature range	+5 +40 °C
Weigh cell dimension	68 × 200 × 92 mm (base × height)
Electronic PCB dimension	105 × 130 × 55 mm (base × height)
Cable length weigh cell to electronics	3 m
Load receptor adjustable + overload protection	Ø 42 mm, 26 mm height above housing
Under floor load receptor	M3 thread
Power supply	YEPS01-15V0H 100 - 240 VAC, 50 - 60 Hz 15V DC
Alternative Power supply	12 ... 26, optimal 15 V (+15 % -10 %); 0,5 V _{PP} (Peak to Peak)
Power consumption	2 W (typical)
Interface	RS232/USB-C 7-/8-bit; -even, -mark, -odd, -space; transmission speed 600 - 115200 Baud, 1 or 2 Stop bits, Software Hardware handshake; Power supply also possible via RS232 connection / Pin 1 / VDC IN 12 - 26V

Options | Accessories

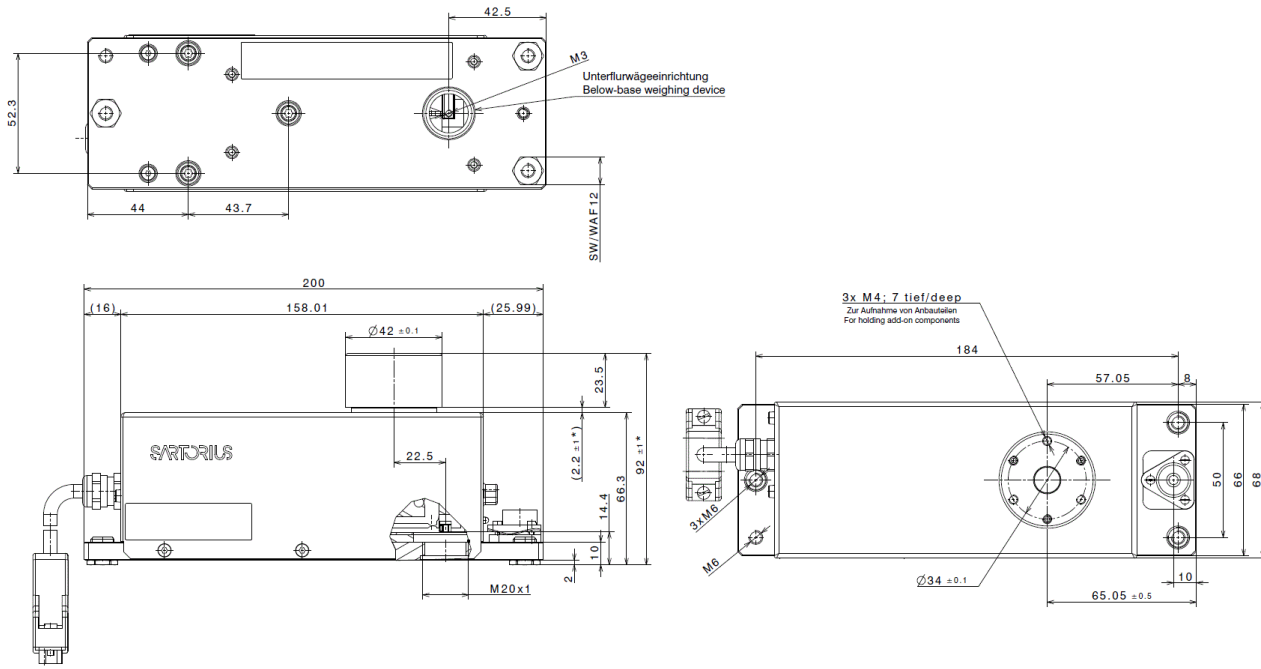
Windows configuration software for test and adjustment	Sartorius CAS Suite
Display unit with operator keypad	YRD01
Connection cable	YCC-D09M-USB-A Data cable (USB-A) > WZB... (RS232 / 9-pin / male) / 1,5m YCC-USB-C-A Data cable USB-C > USB-A / 1.5 m YCC-D09MF Data cable RS232 / 9 pin./ male / 9 pin. / female / 1,5m

1) the preload can be configured by using the Sartorius CAS Suite software, greater preloads are possible, but reduce the weighing capacity.

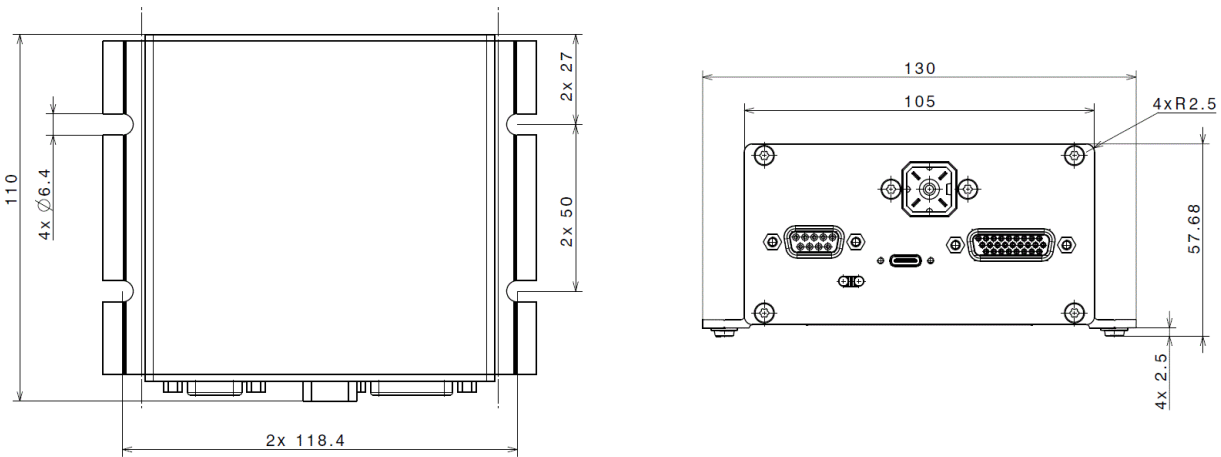
2) depending on measurement equipment set-up and conditions

3) measuring time is the time in which the measured value is in the given range around the static end value; test weight is approx. 25% of the weighing range.

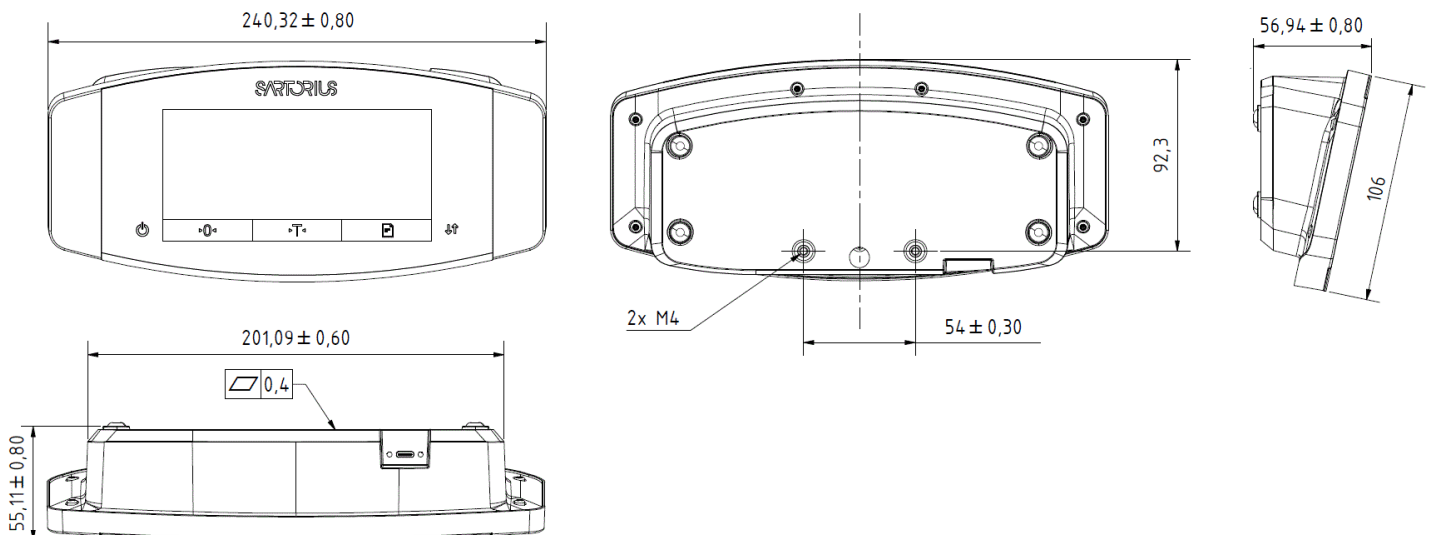
Weigh cell



Electronic module



Optional YRD01 Display and Control Unit



Dimensions in mm

Germany

Sartorius Lab Instruments GmbH & Co. KG
Otto-Brenner-Straße 20
37079 Göttingen
Phone +49 551 308 0

France & Suisse Romande

Phone +33 1 70 62 50 00

USA

Toll-free +1 800 635 2906

Finland & Baltics

Phone +358 9 755 951

China

Phone +86 21 6878 2300

Italy

Phone +39 0362 5557 11

Japan


Phone +81 3 6478 5200

U.K.

Phone +44 1372 737159

South Korea

Phone +82 31 622 5700

 For further contacts, visit
www.sartorius.com