

The Analytical

OEM weigh cells

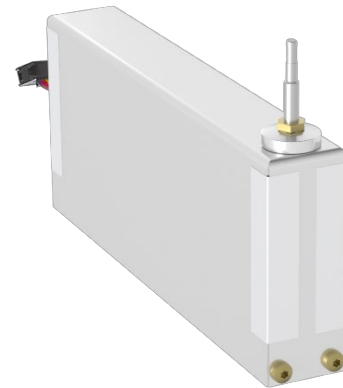
WZB54-L

WZB...	54-L
Capacity	50 g
Readability	0,1 mg

The WZA54-L has a capacity of 50 g with a readability of 0.1 mg combined with a small housing. A multiple weighing system can be arranged in linear fashion with a distance of 25 mm between the weighing pins. Head to Head configuration allow 12.5 mm track distance. Users should ensure that the weighing cell is properly protected from environmental influences when integrating the system.

Highlighted performance features:

- The load cells consist of two parts:
The electromagnetic force compensation weighing system and an electronics module.

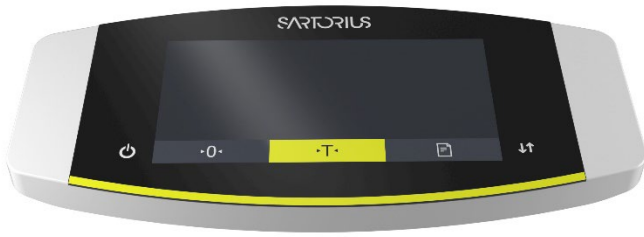


- The load receptor is equipped with an overload protection
- Electronics module with a front plate for all connections
- All connections are bolt connections
- LEDs for power and data transfer
- Fast warm-up time as the electronics is separated from the weighing technology
- Easy to adapt to existing installation options
- RS232 / USB-C interface for configuration and data transfer
- Additional power supply via the RS232 interface
- Configuration software for handling weight data, the menu settings and external calibration functions
- Display unit with operator keypad (optional)

Technical Data



Electronic Module



YRD01 Display with control panel (optional)

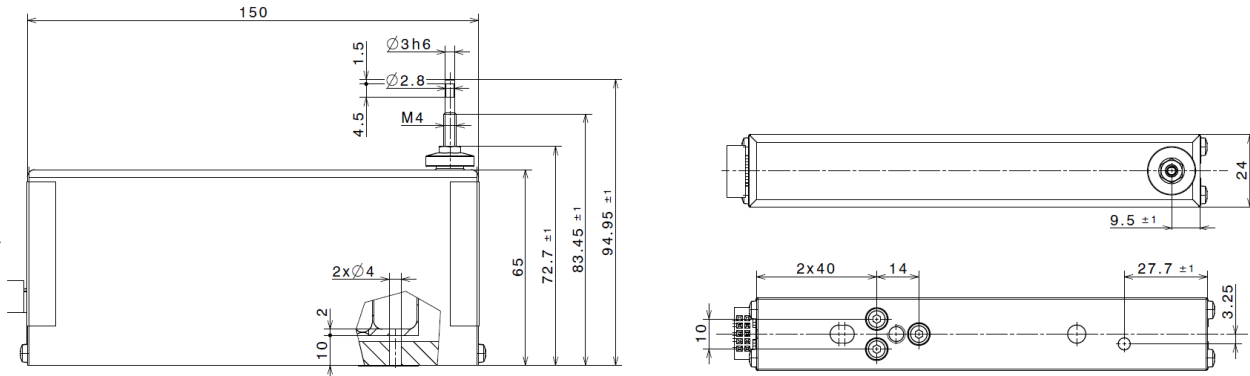
Model	WZB54-L
Capacity	50 g
Readability	0,1 mg
Required preload on pan support ¹⁾	5 g
Repeatability (standard deviation) ²⁾	≤± 0,2 mg
Linearity	≤± 0,2 mg
Response time ²⁾³⁾	800 ms ±0.1 mg 350 ms ± 1 mg
Operating temperature range	+10 +30 °C
Allowable temperature range	+5 +40 °C
Weigh cell dimension	24 × 154 × 95 (65) mm (base × height)
Electronic PCB dimension	105 × 92 × 54 mm (base × height)
Cable length weigh cell to electronics	Ribbon cable 0.5 m (maximum length 3 m, could be extend at side)
Load receptor adjustable + overload protection	3 mm Ø 30 mm above housing, integrated overload and lift off protection
Power supply	YEPS01-15V0H 100 - 240 VAC, 50 - 60 Hz 15V DC
Alternative Power supply	12 ... 26, optimal 15 V (+15 % -10 %); 0,5 V _{PP} (Peak to Peak)
Power consumption	2 W (typical)
Interface	RS232/USB-C 7-/8-bit; -even, -mark, -odd, -space; transmission speed 600 - 115200 Baud, 1 or 2 Stop bits, Software Hardware handshake; Power supply also possible via RS232 connection / Pin 1 / VDC IN 12 - 26V
Materials	
Housing	Aluminum
Weighing pin	Aluminum
IP rating related to DIN EN 60529	IP00
Options Accessories	
Windows configuration software for test and adjustment	Sartorius CAS Suite
Display unit with operator keypad	YRD01
Connection cable	YCC-D09M-USB-A Data cable (USB-A) > WZB... (RS232 / 9-pin / male) / 1,5m YCC-USB-C-A Data cable USB-C > USB-A / 1.5 m YCC-D09MF Data cable RS232 / 9 pin./ male / 9 pin. / female / 1,5m

1) the preload can be configured by using the Sartorius CAS Suite software, greater preloads are possible, but reduce the weighing capacity.

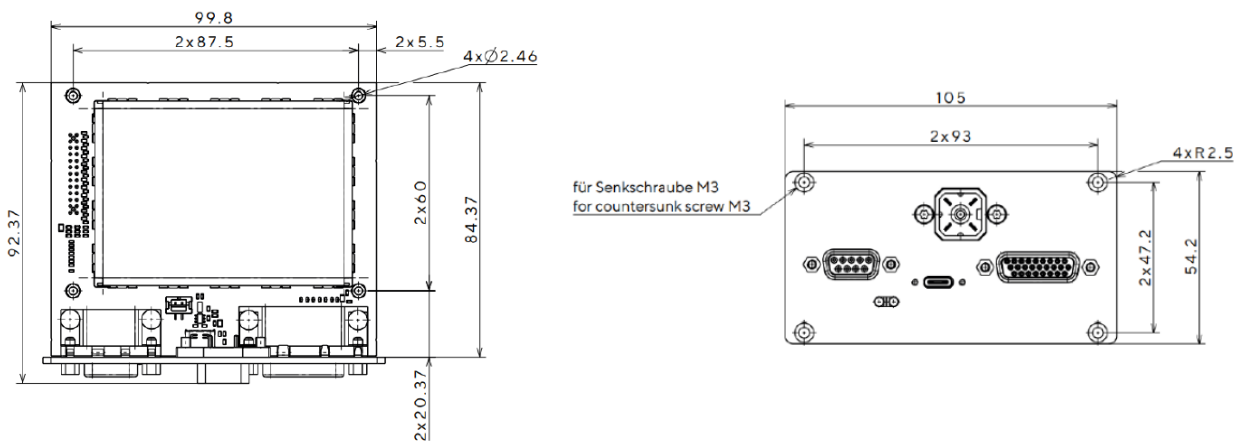
2) depending on measurement equipment set-up and conditions

3) measuring time is the time in which the measured value is in the given range around the static end value; test weight is approx. 25% of the weighing range.

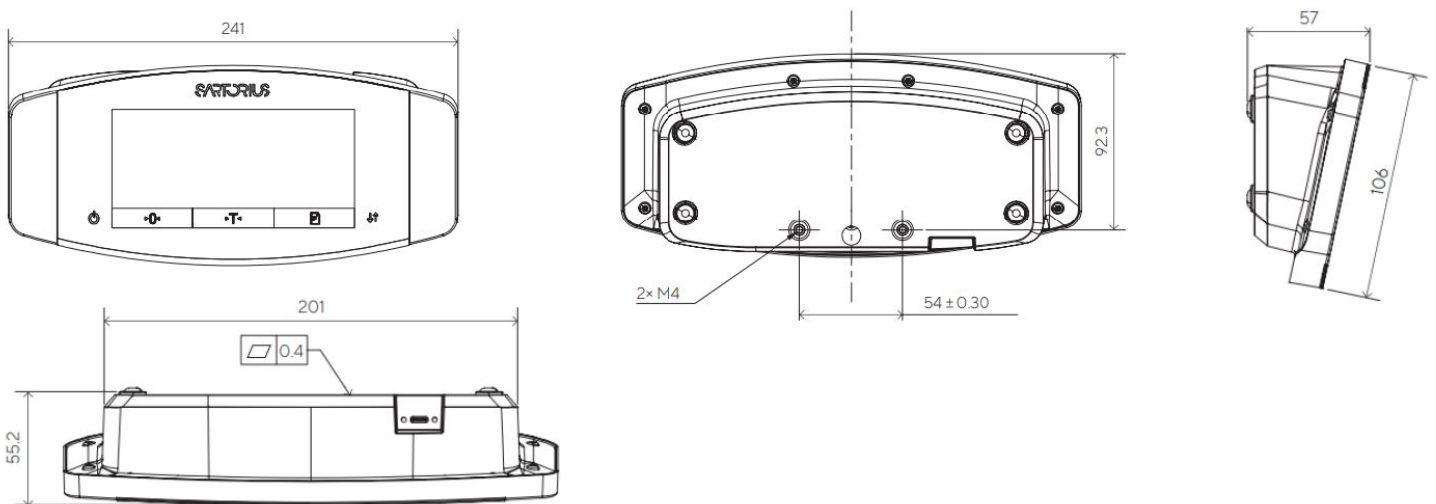
Weigh cell



Electronic module



Optional YRD01 Display and Control Unit



Dimensions in mm

Germany

Sartorius Lab Instruments GmbH & Co. KG
Otto-Brenner-Straße 20
37079 Göttingen
Phone +49 551 308 0

France & Suisse Romande

Phone +33 1 70 62 50 00

USA

Toll-free +1 800 635 2906

Finland & Baltics

Phone +358 9 755 951

China

Phone +86 21 6878 2300

Italy

Phone +39 0362 5557 11

Japan


Phone +81 3 6478 5200

U.K.

Phone +44 1372 737159

South Korea

Phone +82 31 622 5700

 For further contacts, visit
www.sartorius.com